



US 20240166282A1

(19) **United States**

(12) **Patent Application Publication**
Harmon et al.

(10) **Pub. No.: US 2024/0166282 A1**

(43) **Pub. Date: May 23, 2024**

(54) **VEHICLE CHASSIS WITH INTERCHANGEABLE PERFORMANCE PACKAGES AND RELATED METHODS**

(71) Applicant: **Ford Global Technologies, LLC**, Dearborn, MI (US)

(72) Inventors: **Michael John Harmon**, Westland, MI (US); **Hussain Z. Tajmahal**, Detroit, MI (US); **Marielle Conrad**, Detroit, MI (US); **Benjamin Jordan Curtis**, Ferndale, MI (US); **David Earl Ooms**, Canton, MI (US); **Yejin Han**, Detroit, MI (US)

(21) Appl. No.: **18/391,304**

(22) Filed: **Dec. 20, 2023**

Related U.S. Application Data

(62) Division of application No. 17/243,383, filed on Apr. 28, 2021, now Pat. No. 11,858,571.

Publication Classification

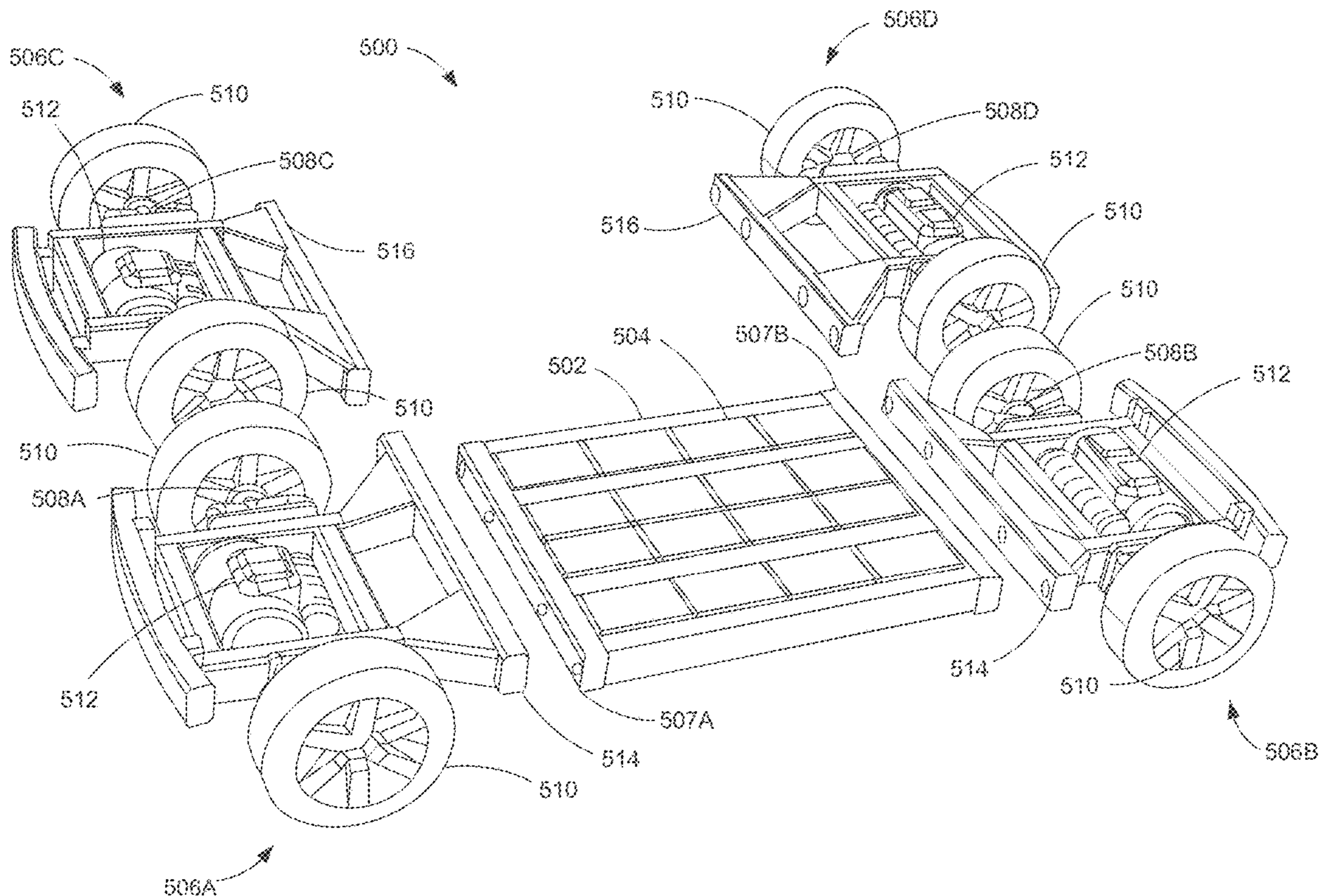
(51) **Int. Cl.**
B62D 65/04 (2006.01)
B60K 1/04 (2006.01)

B60K 7/00 (2006.01)
B60L 50/60 (2006.01)
B62D 21/03 (2006.01)
B62D 21/11 (2006.01)
B62D 65/10 (2006.01)
B62D 65/12 (2006.01)

(52) **U.S. Cl.**
CPC **B62D 65/04** (2013.01); **B60K 1/04** (2013.01); **B60K 7/0007** (2013.01); **B60L 50/66** (2019.02); **B62D 21/03** (2013.01); **B62D 21/11** (2013.01); **B62D 65/10** (2013.01); **B62D 65/12** (2013.01); **B60K 2001/0438** (2013.01); **B60K 6/28** (2013.01); **B60Y 2200/11** (2013.01)

(57) **ABSTRACT**

Vehicle chassis with interchangeable performance packages and related methods. are disclosed herein. An example vehicle chassis disclosed herein includes a frame including a first chassis portion including a cavity, a battery platform coupled to first chassis portion, and a first subframe coupleable within the cavity, the first subframe including a first motor and a first suspension assembly, and a second subframe coupleable within the cavity, the second subframe including a second motor and a second suspension assembly, the second motor having a greater power than the first motor, the second suspension assembly having a greater stiffness than the first suspension assembly.



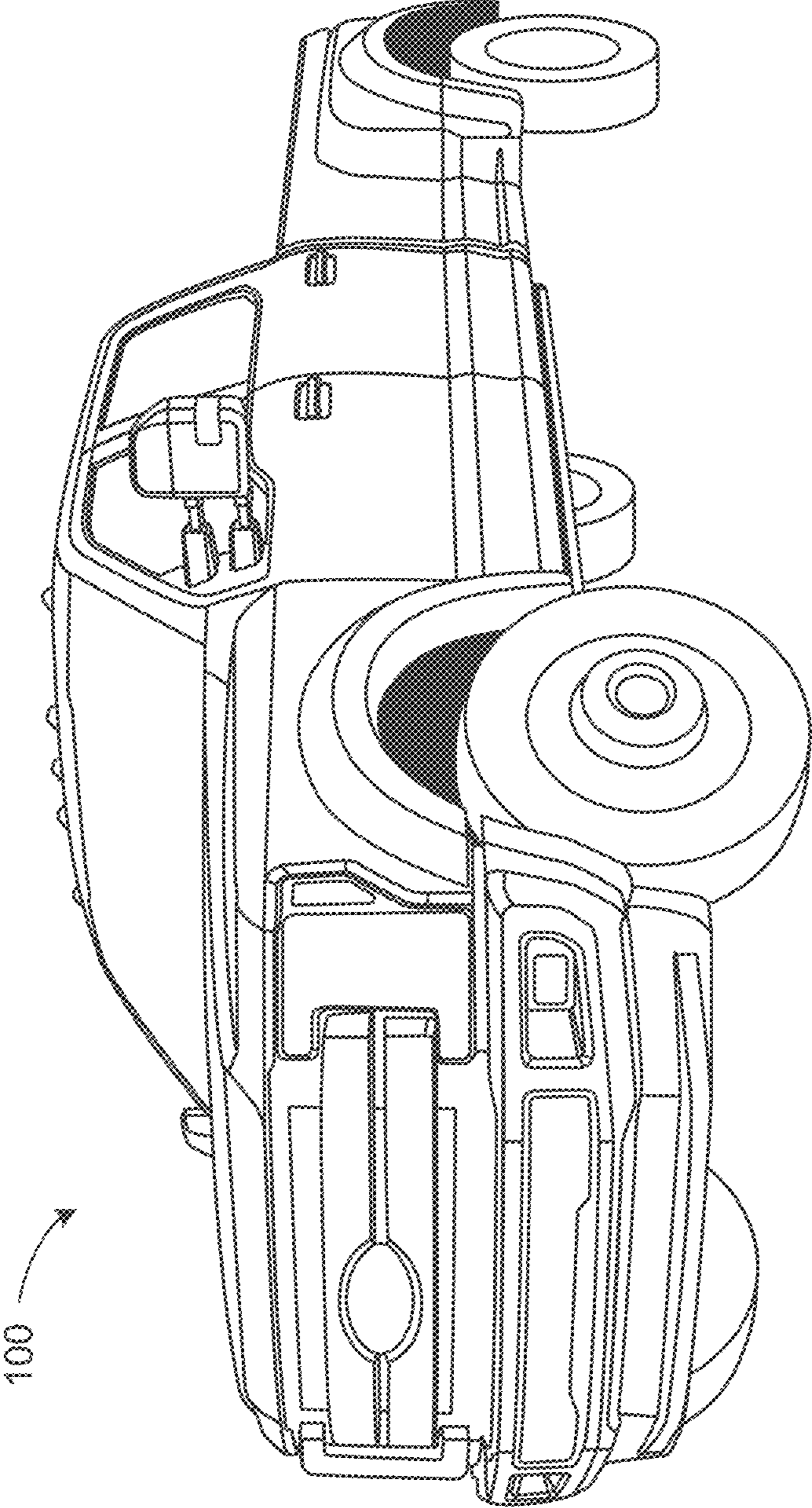
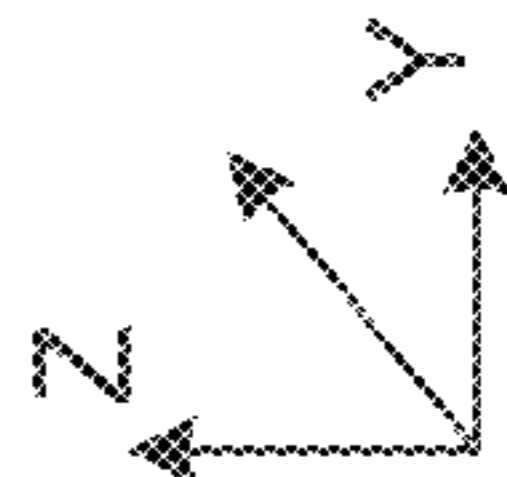


FIG. 1



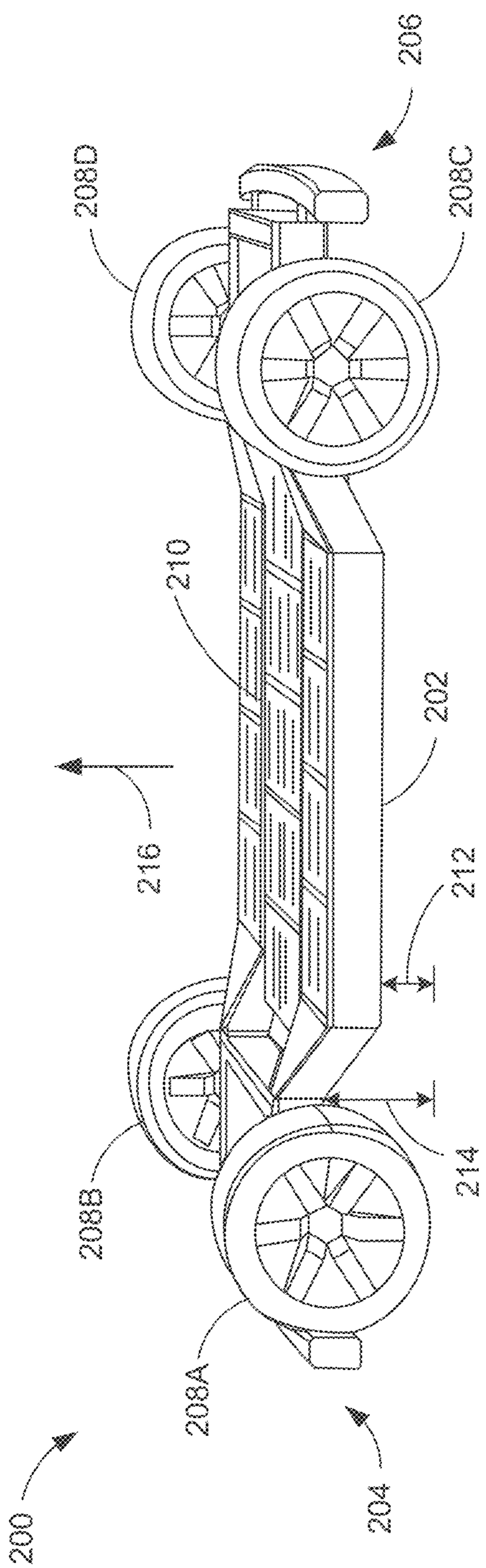


FIG. 2A

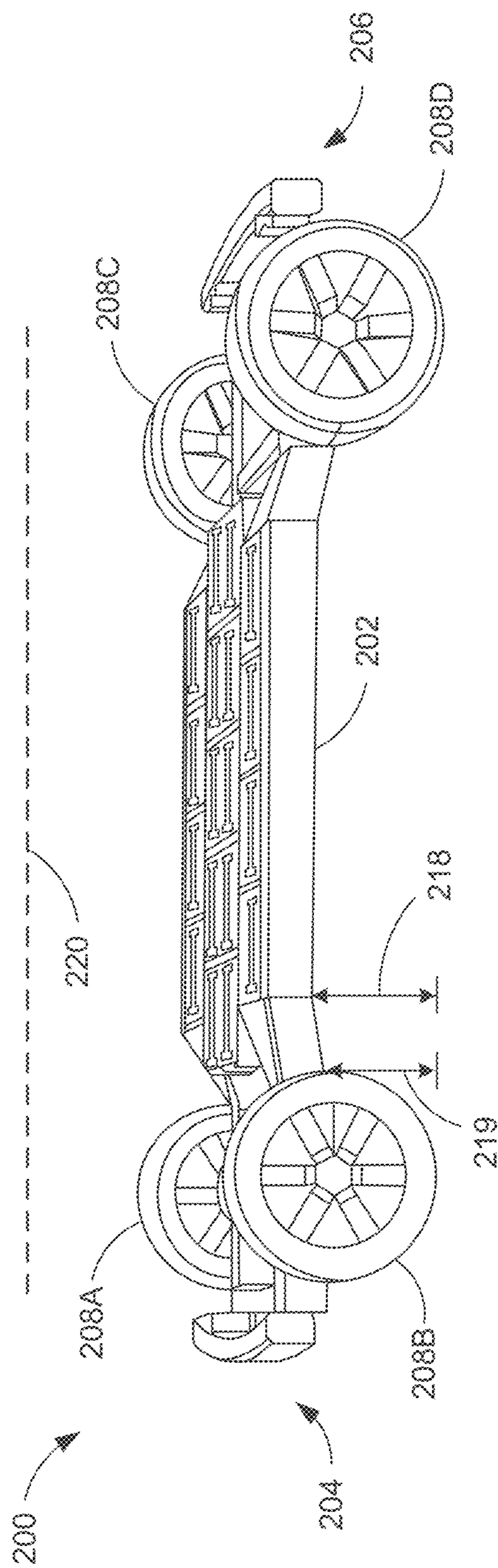


FIG. 2B

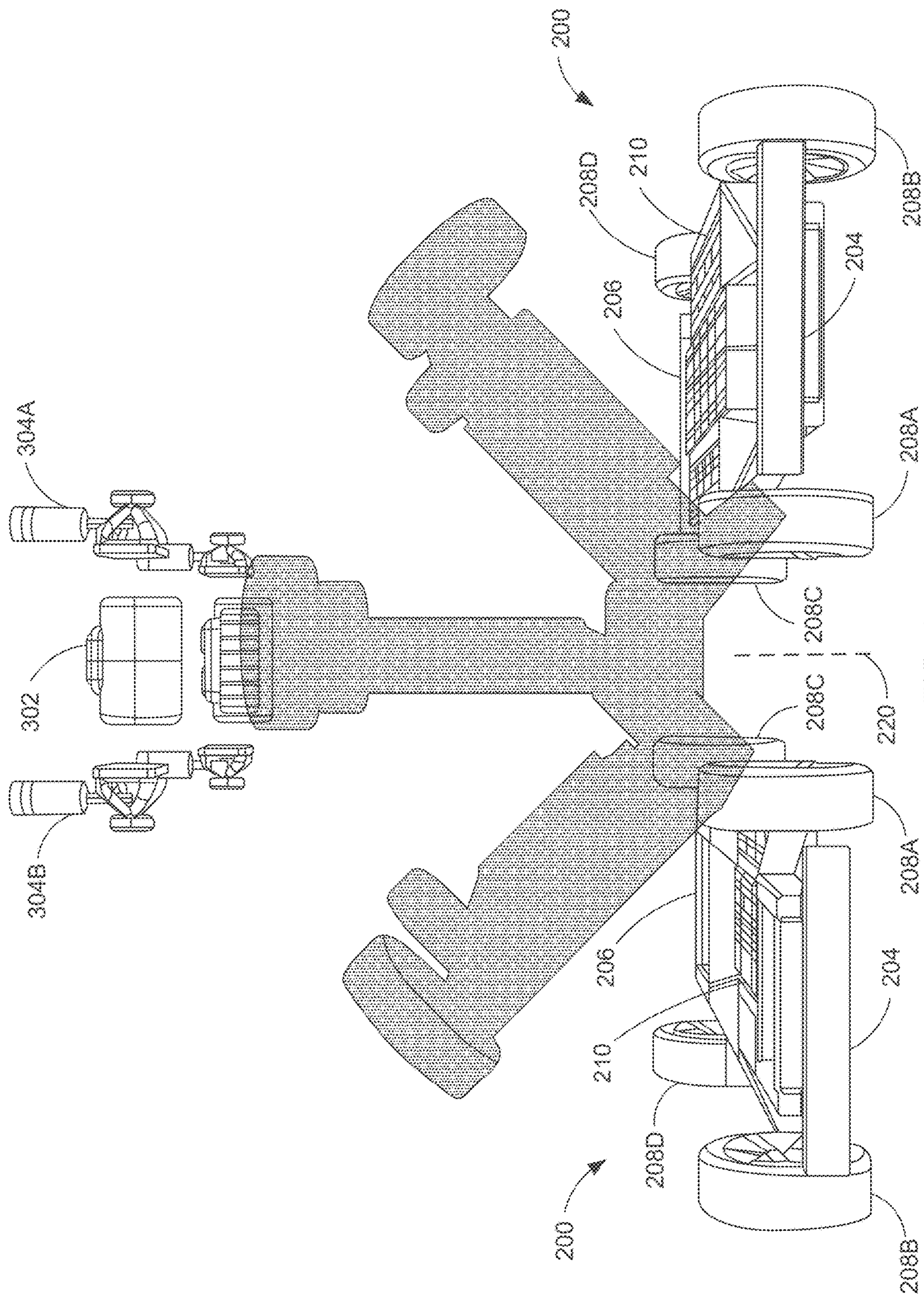


FIG. 3

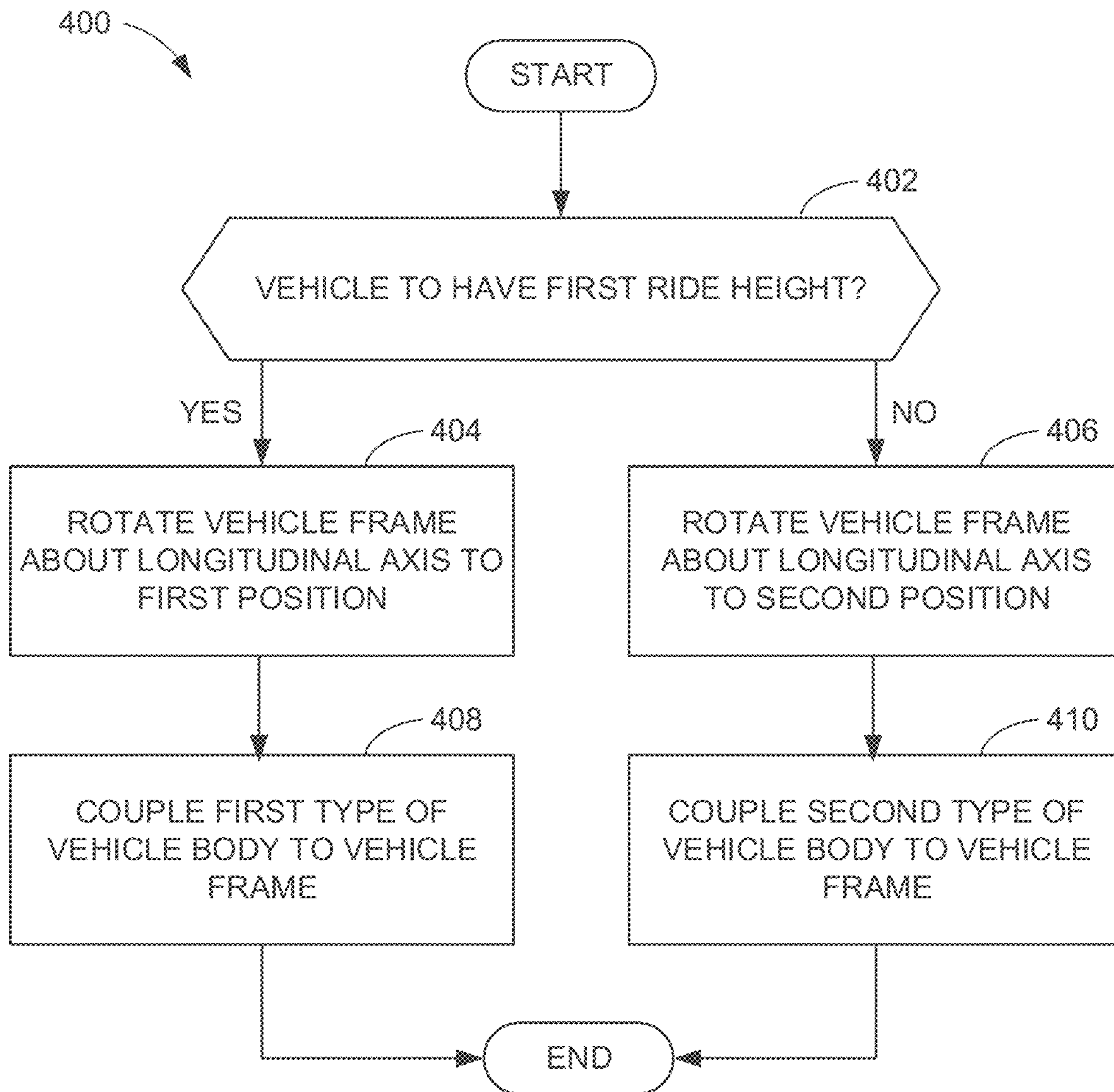


FIG. 4

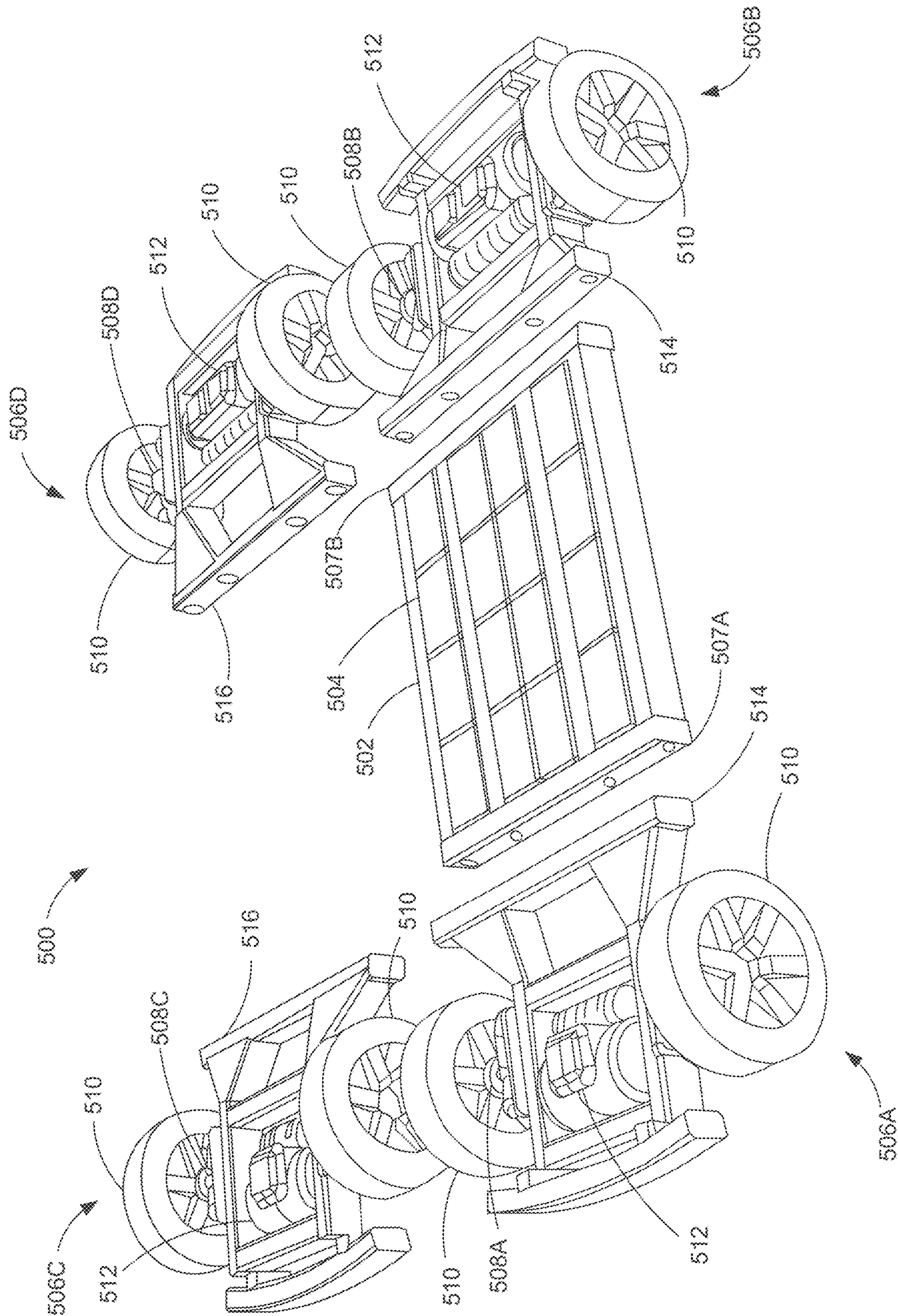


FIG. 5

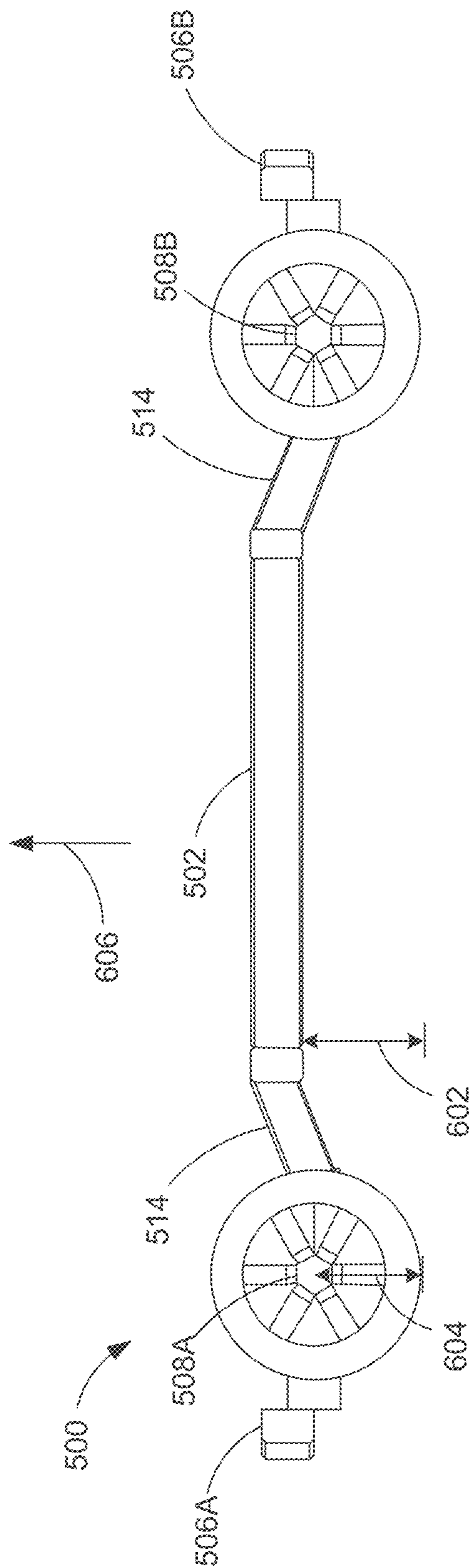


FIG. 6A

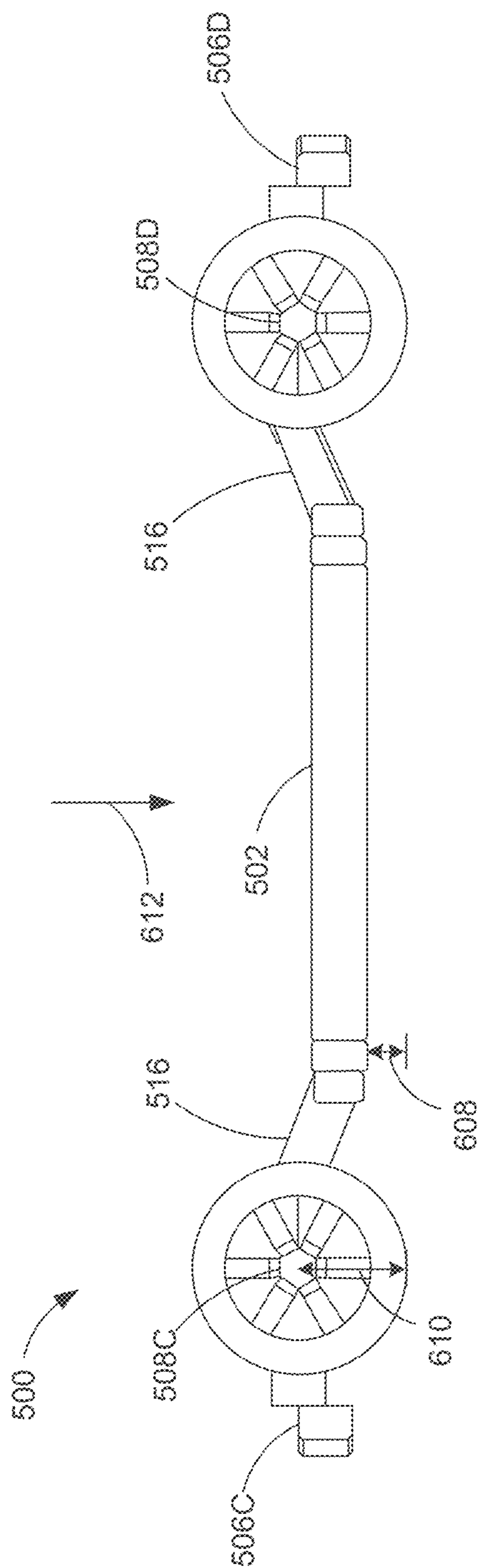


FIG. 6B

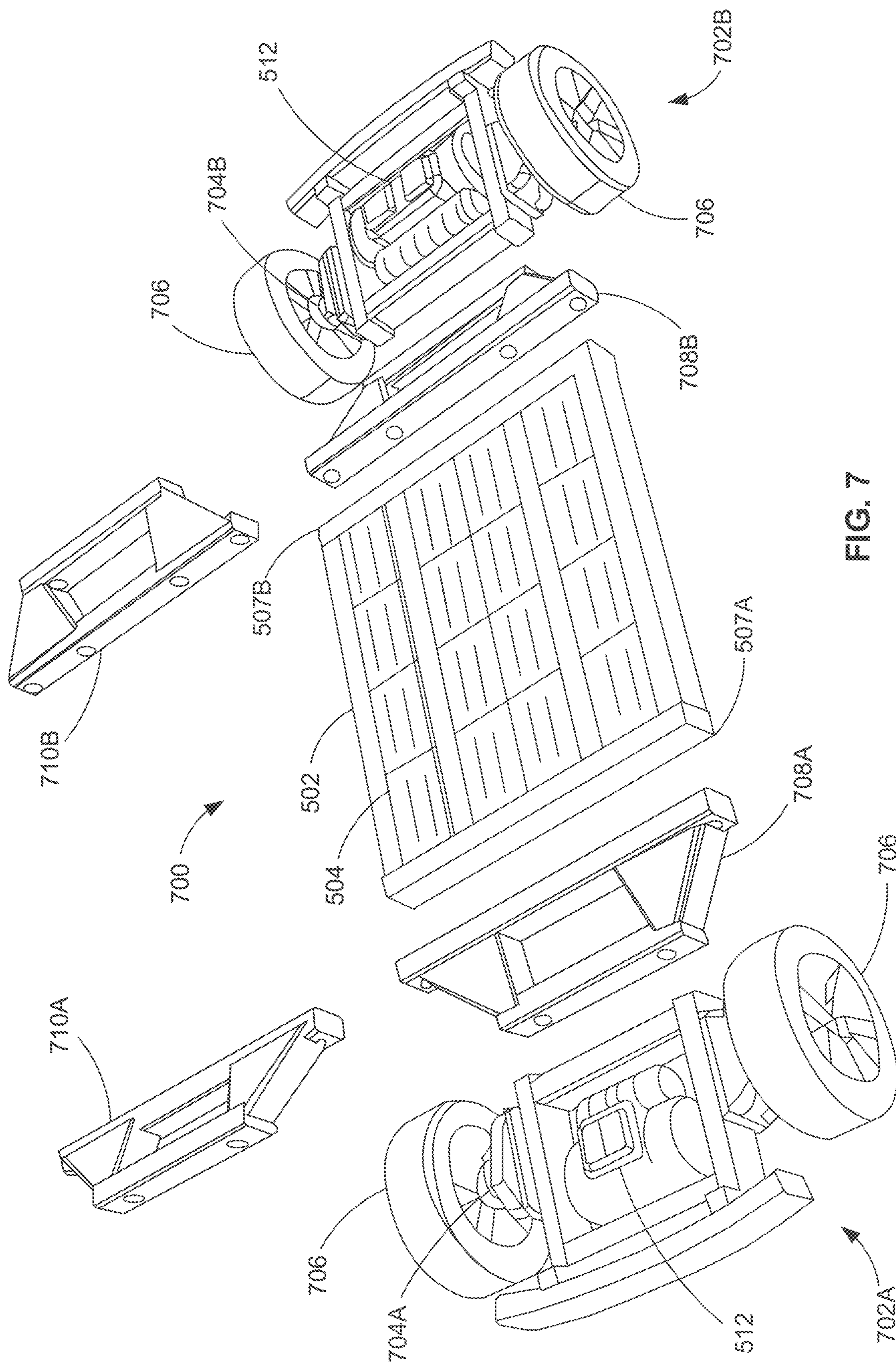
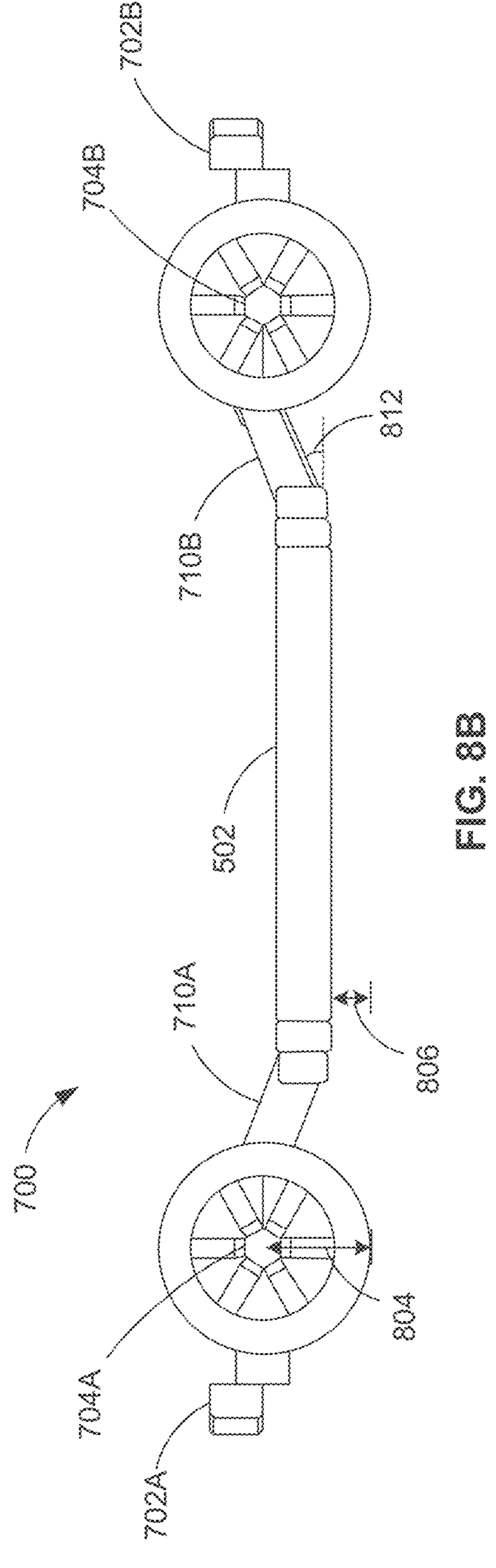
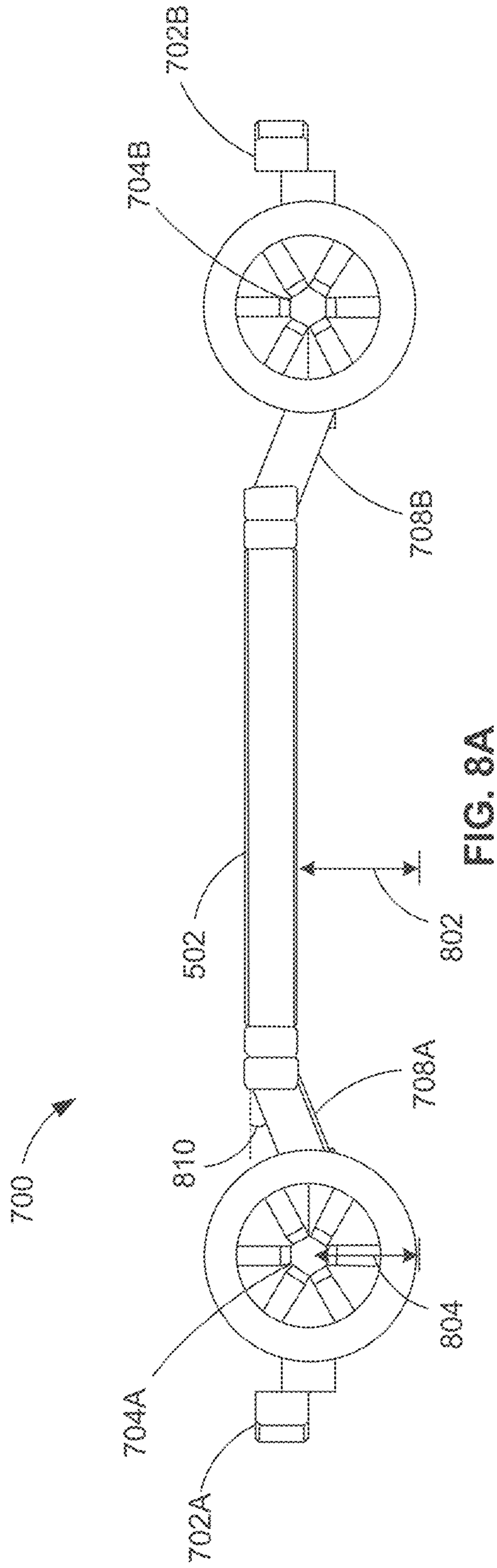


FIG. 7



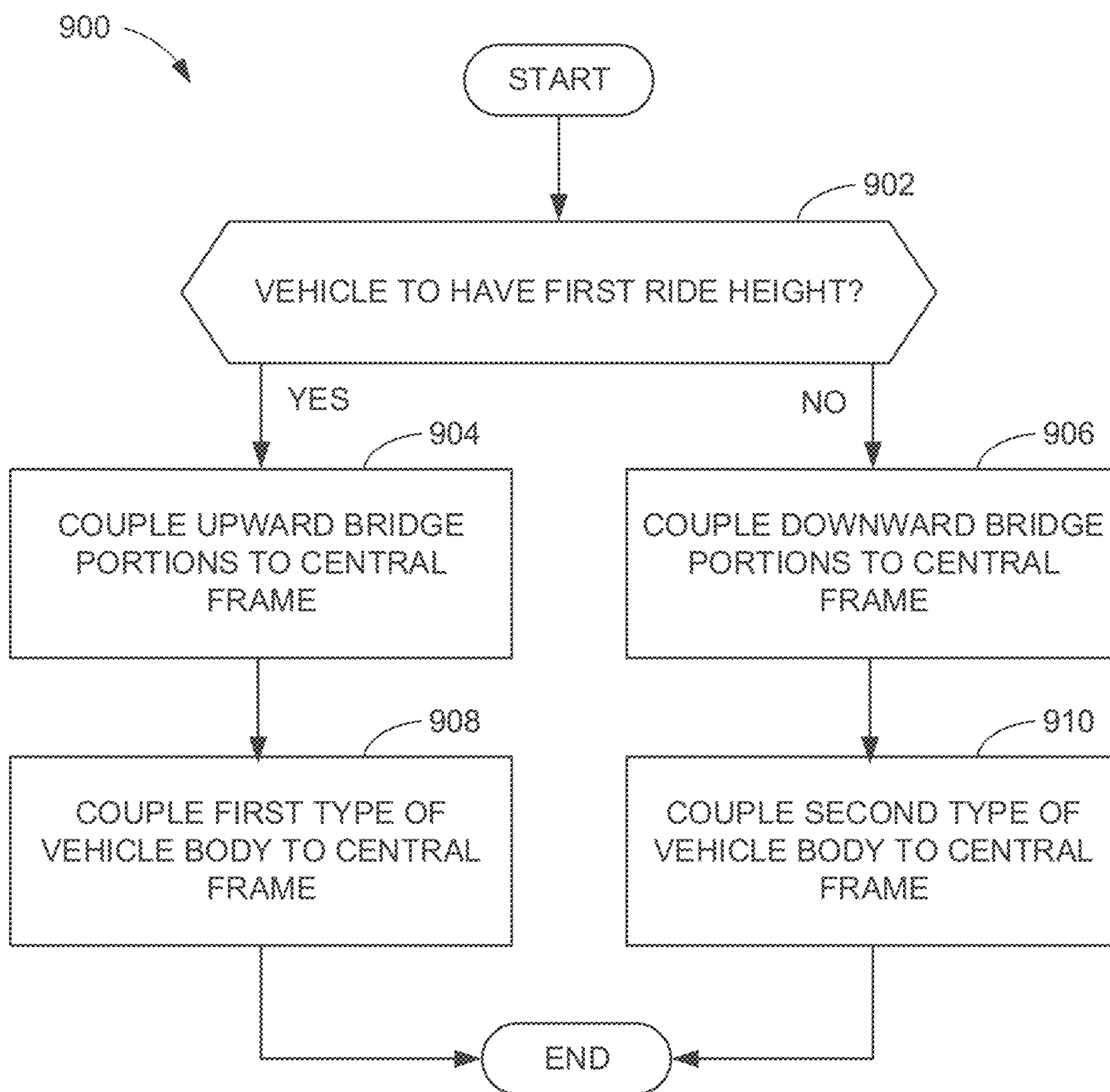


FIG. 9

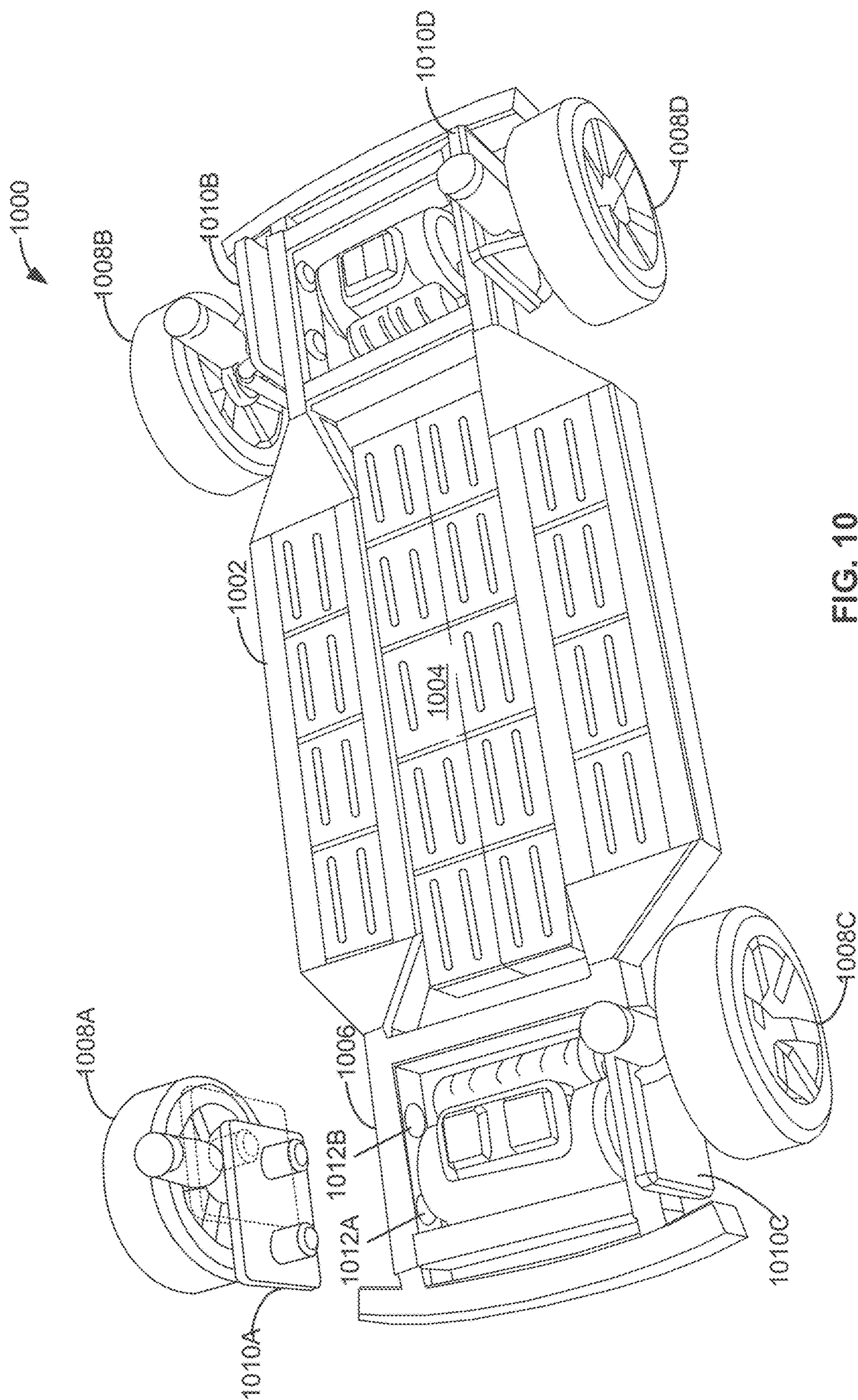


FIG. 10

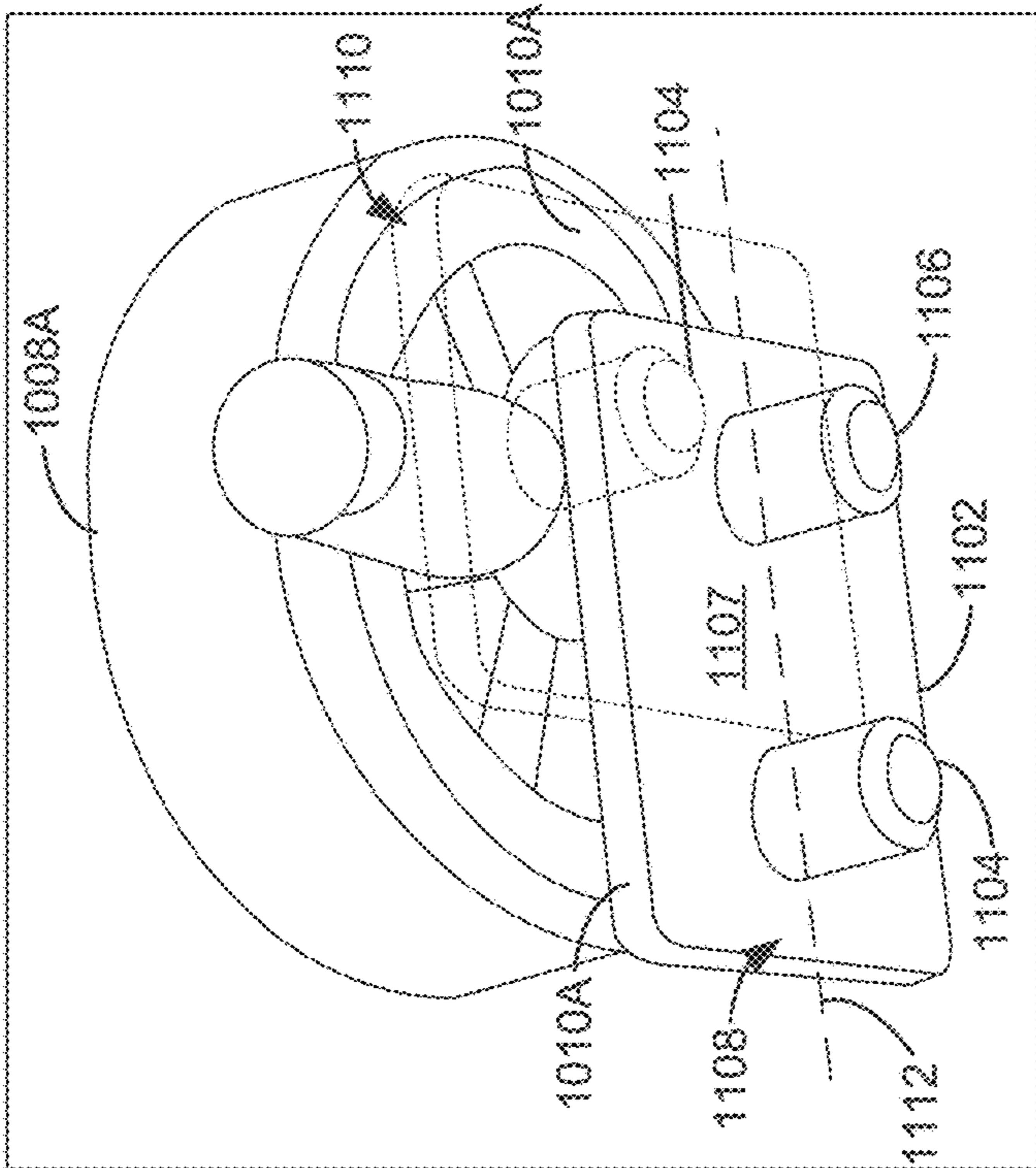
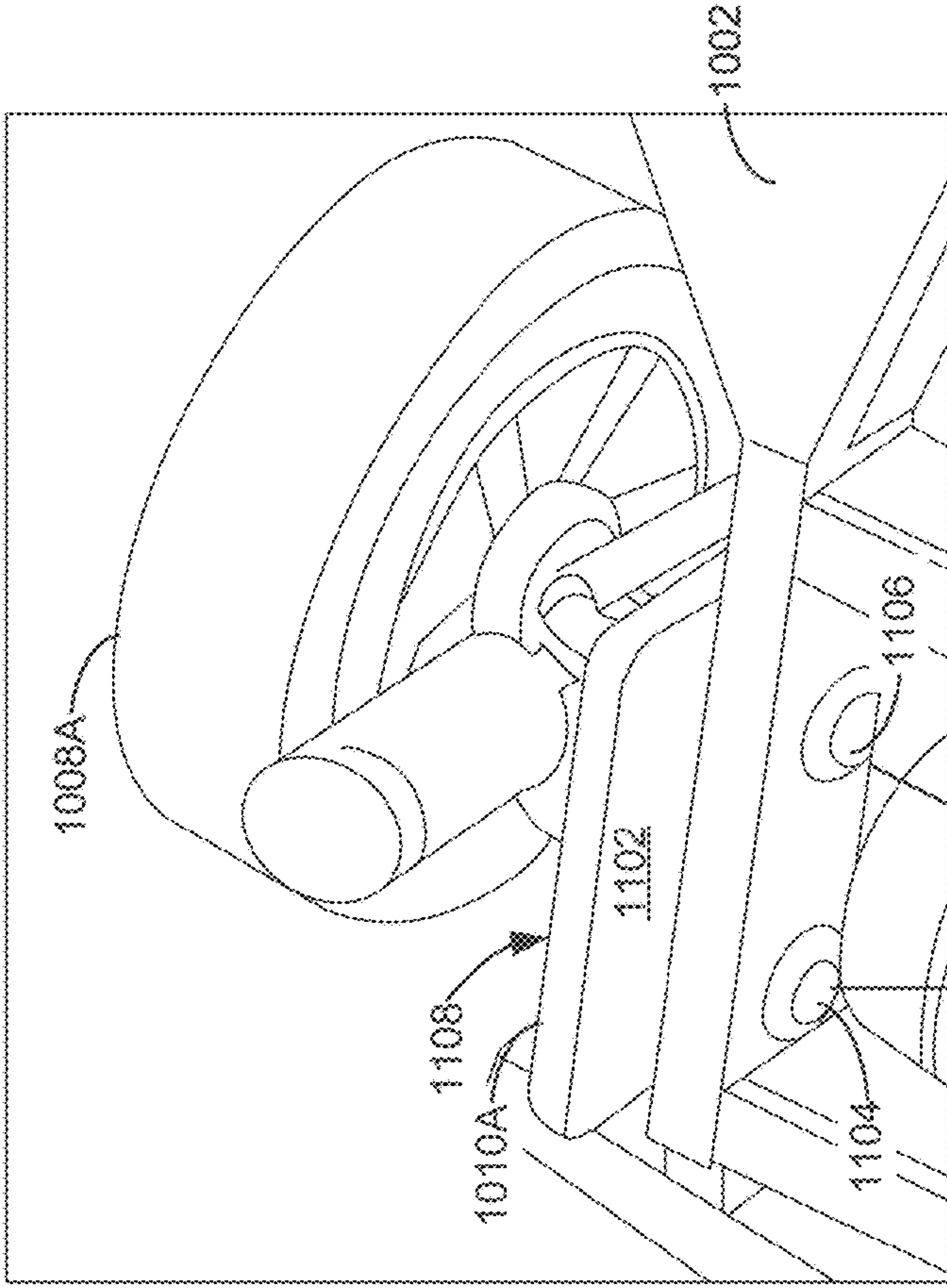


FIG. 11A

FIG. 11B

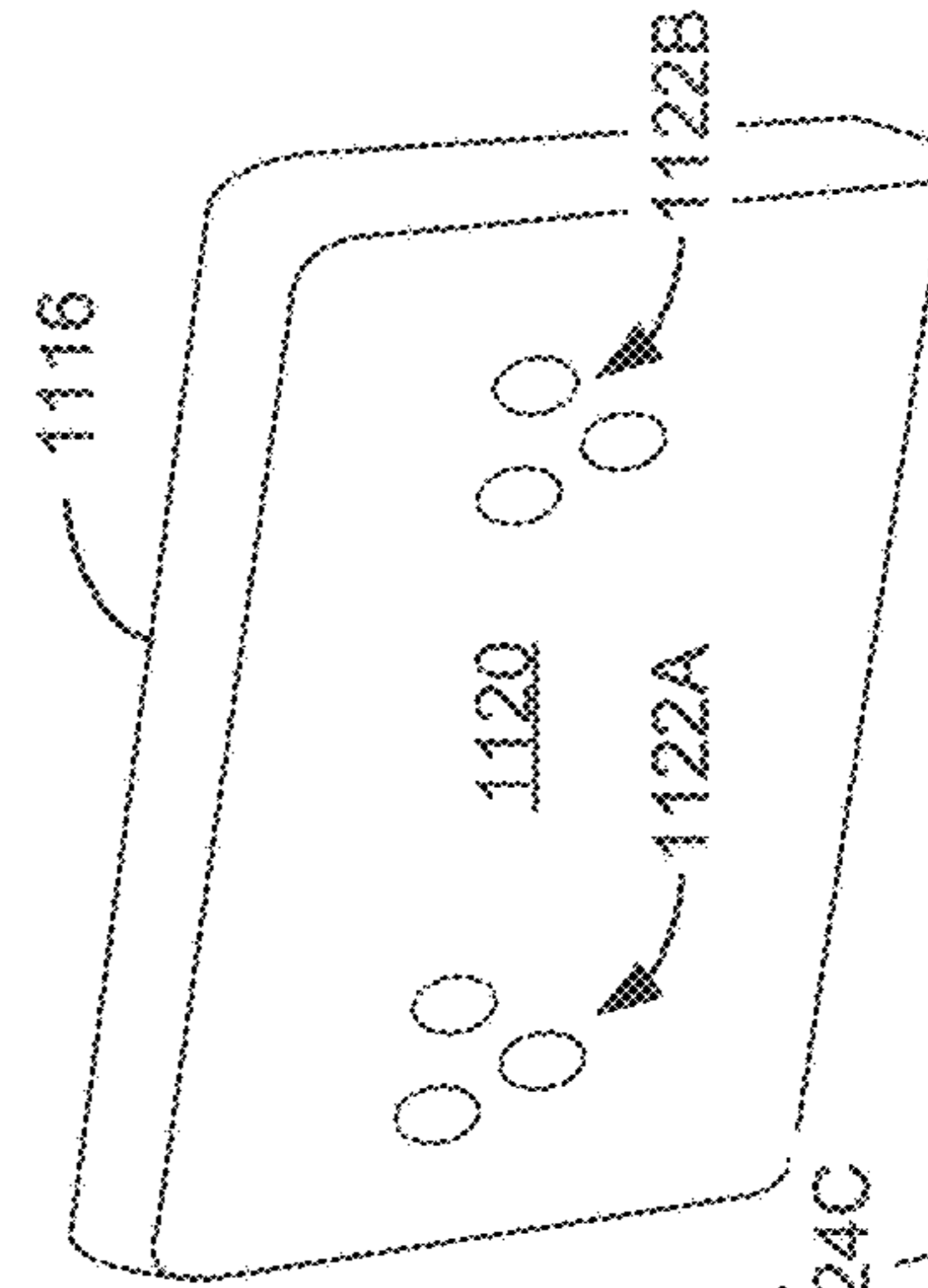


FIG. 1116

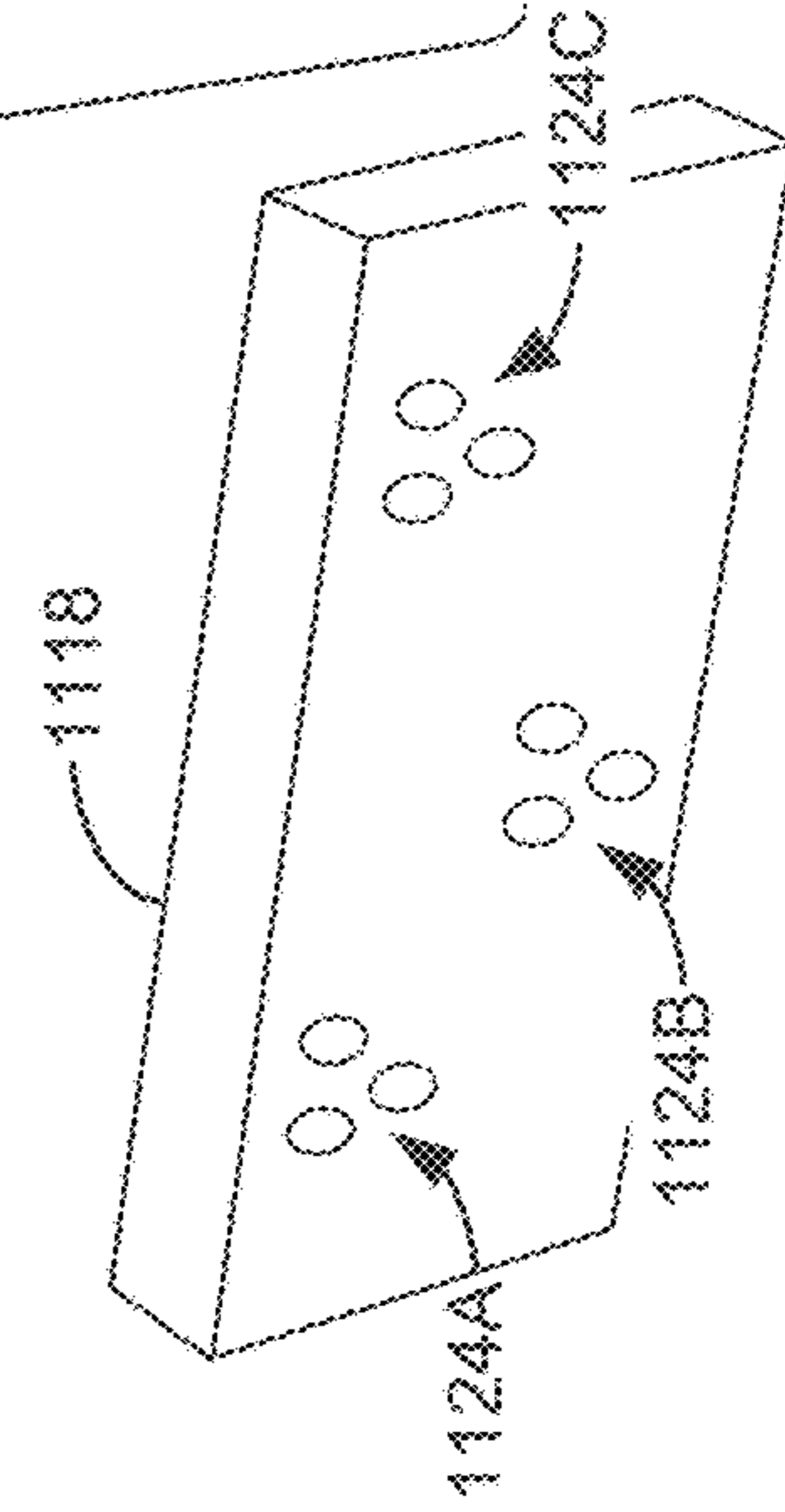


FIG. 1118

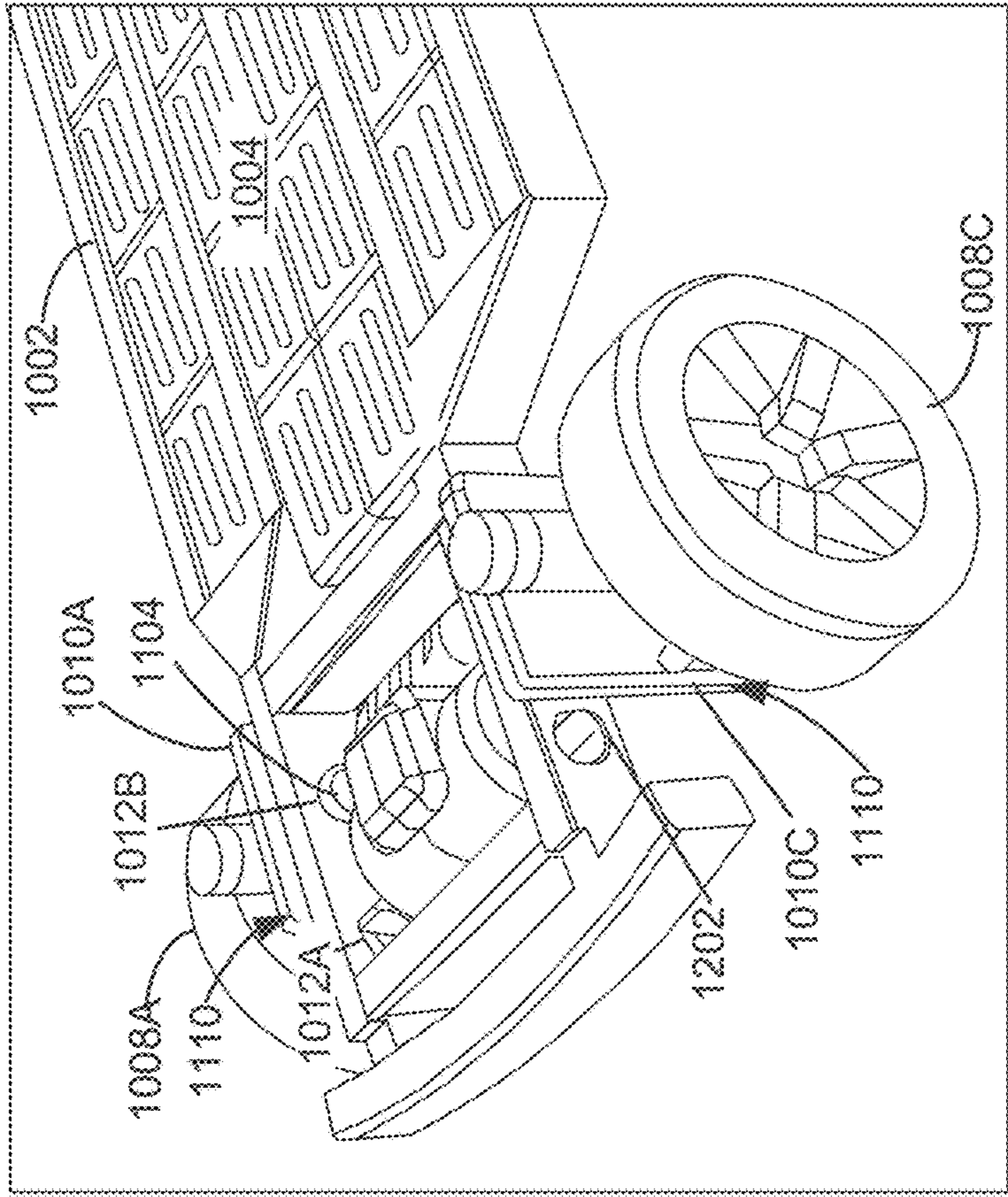


FIG. 12A

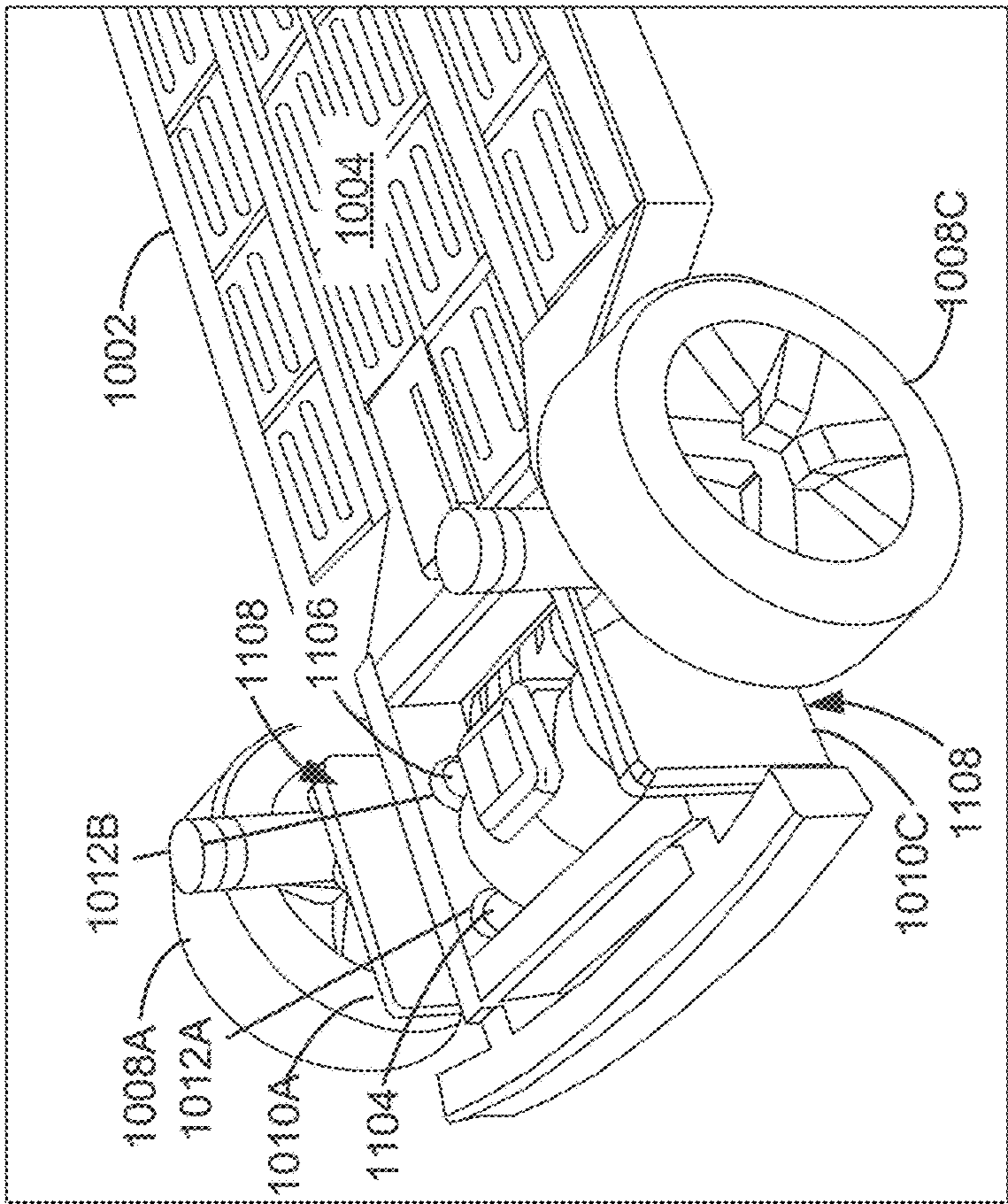


FIG. 12B

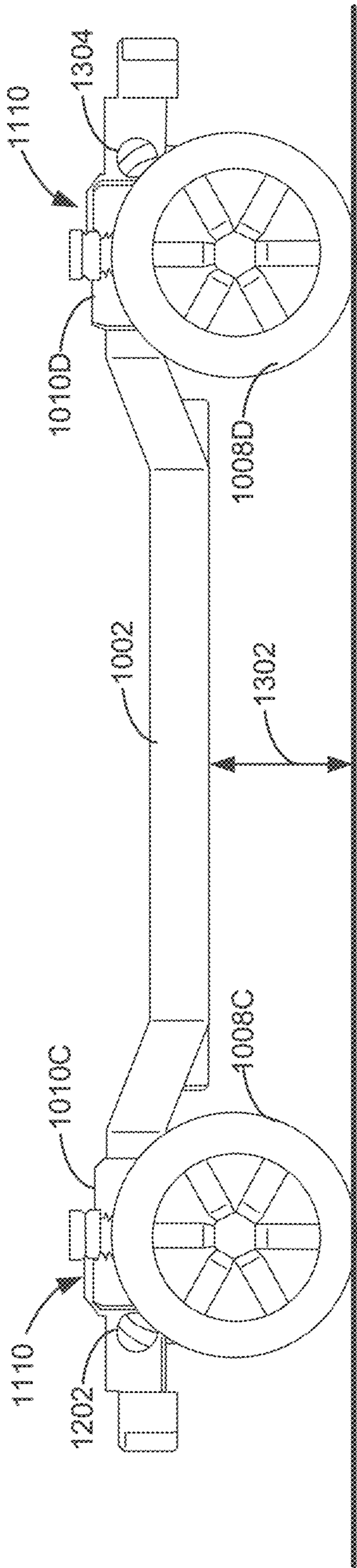


FIG. 13A

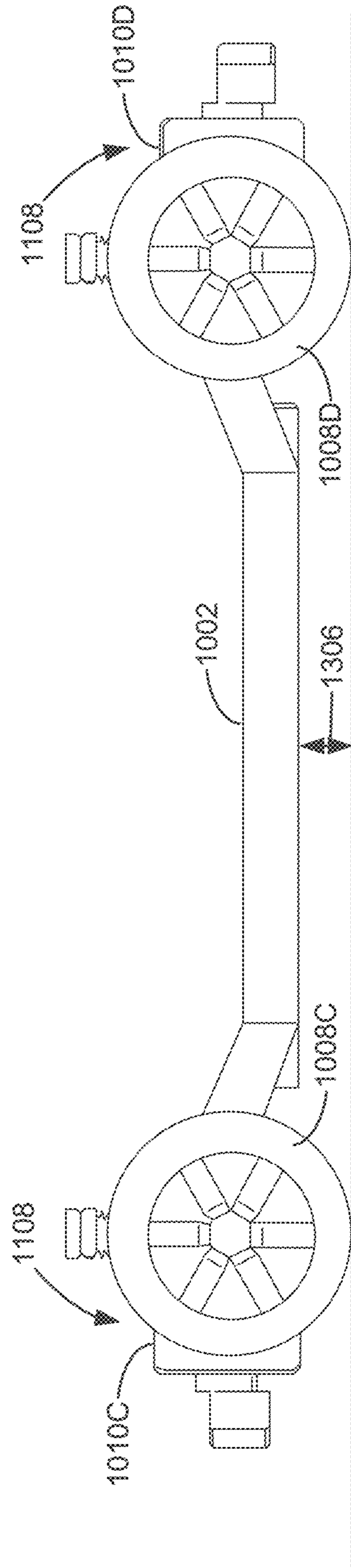


FIG. 13B

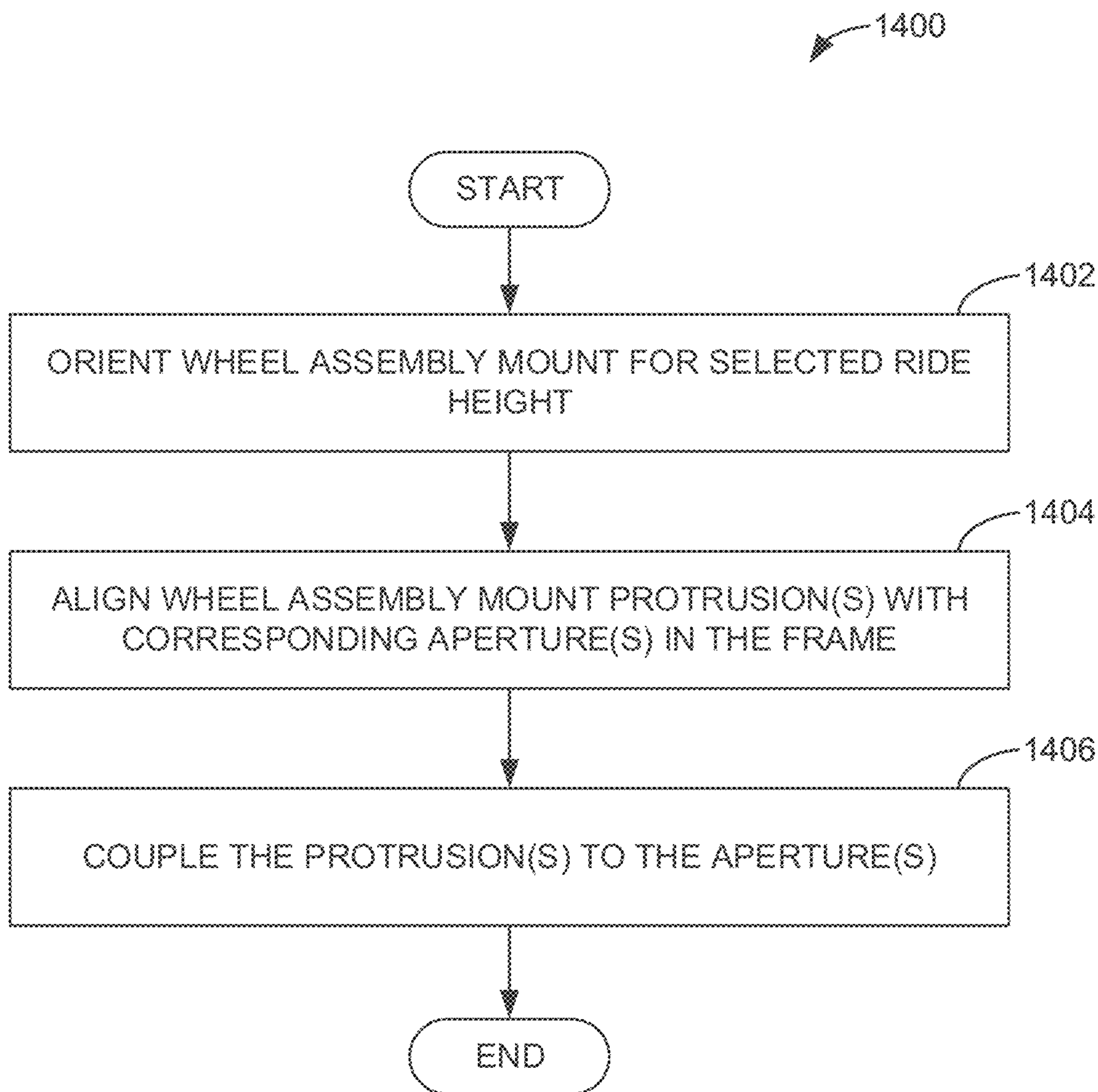


FIG. 14

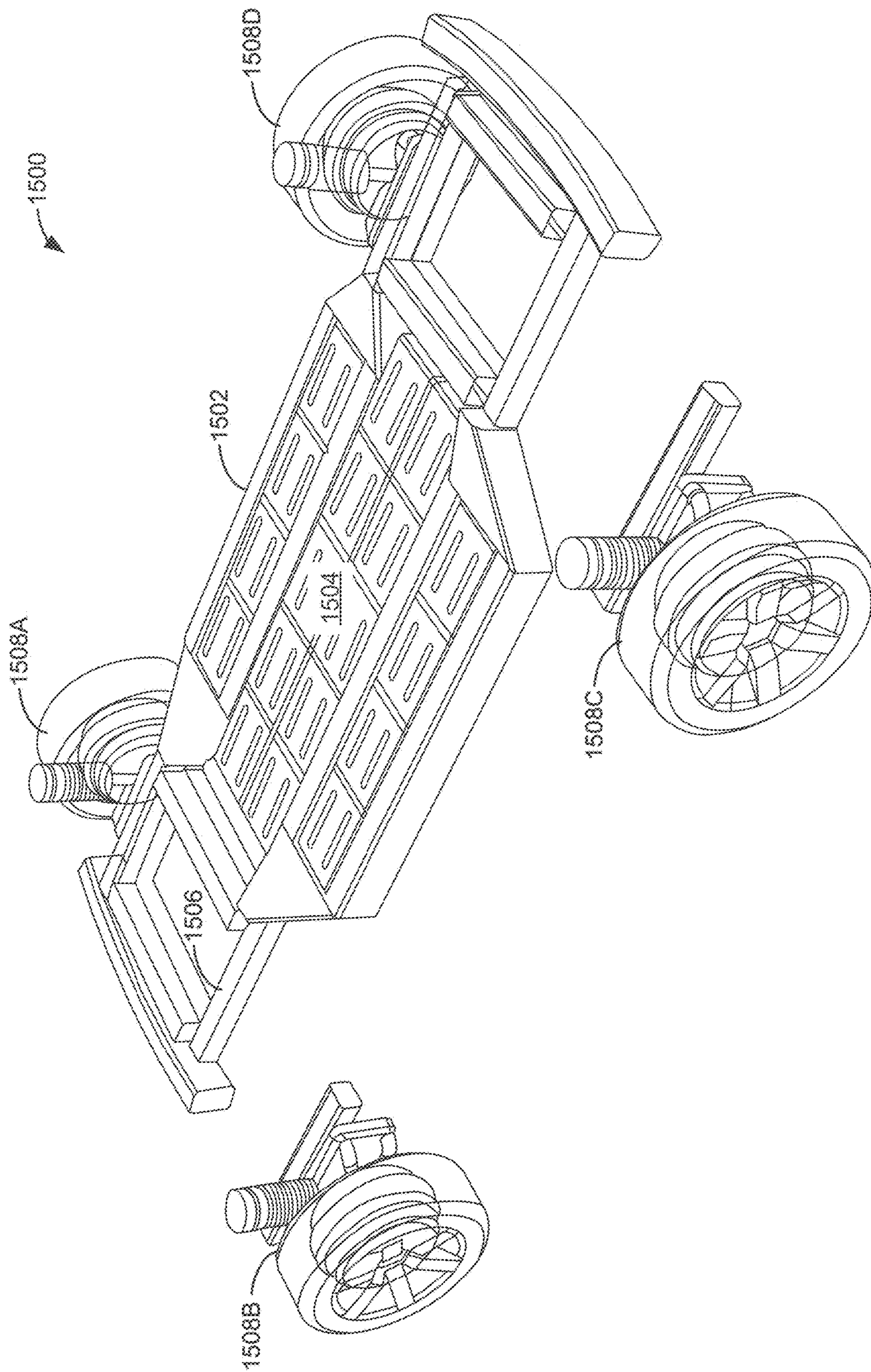


FIG. 15

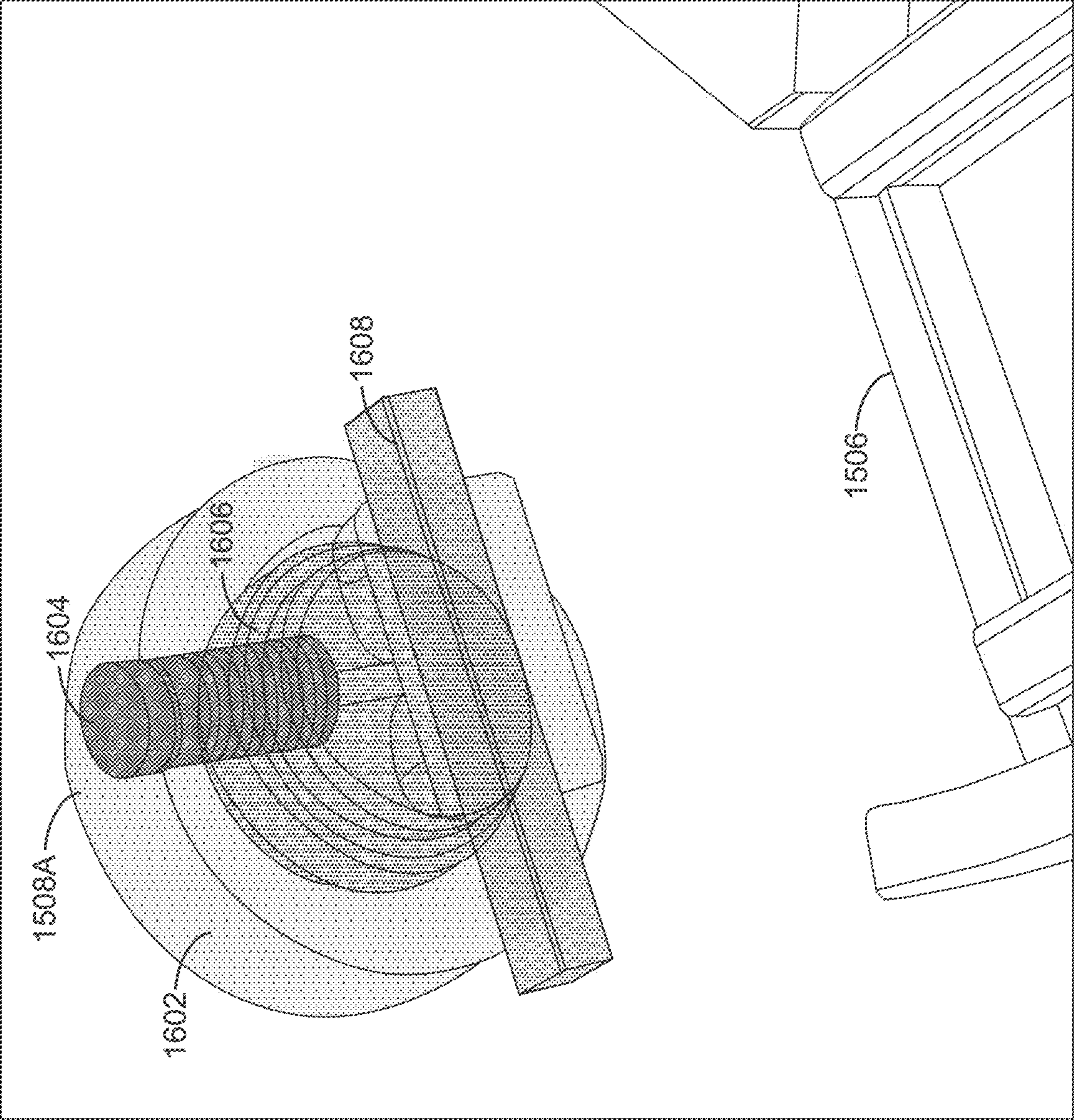


FIG. 16A

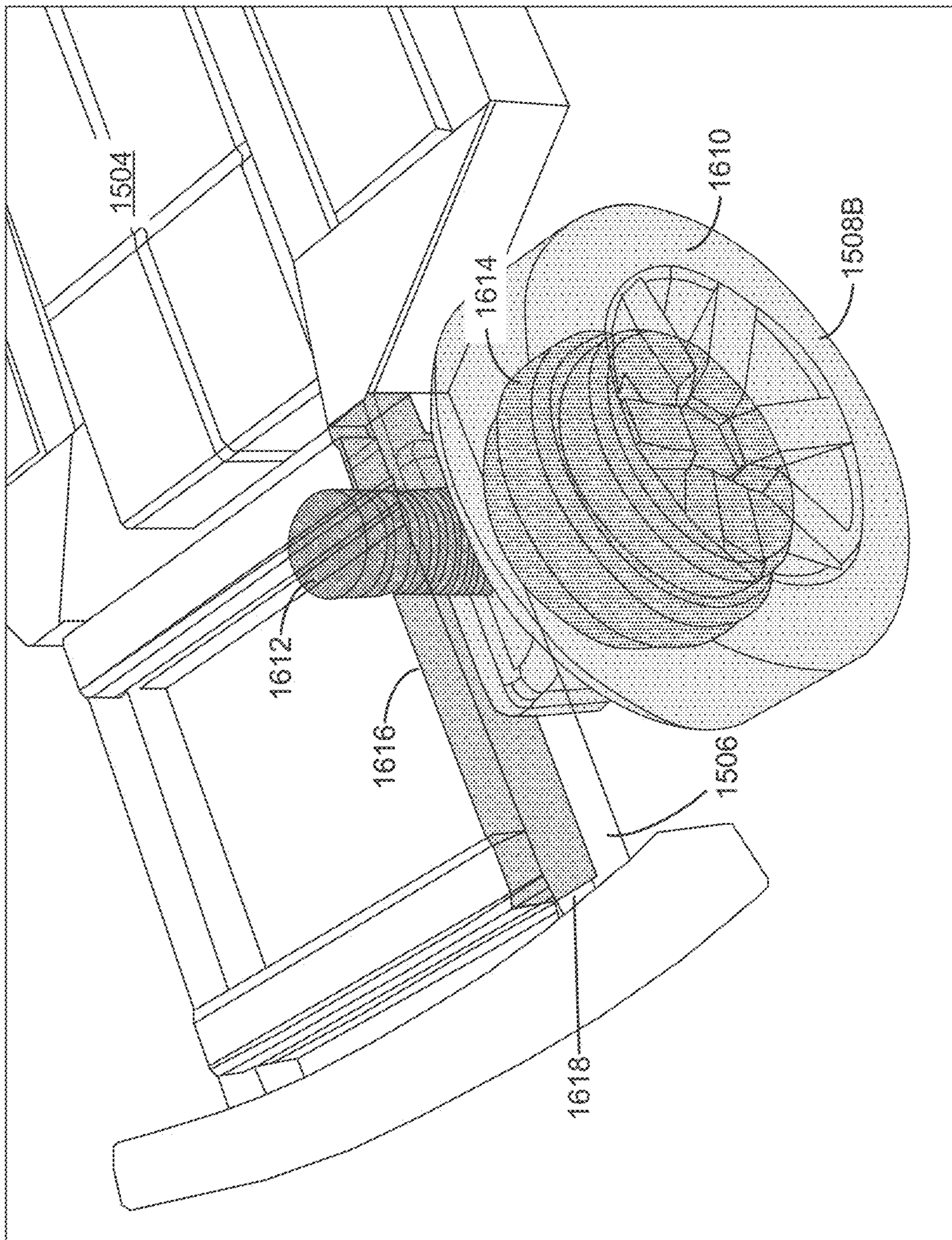


FIG. 16B

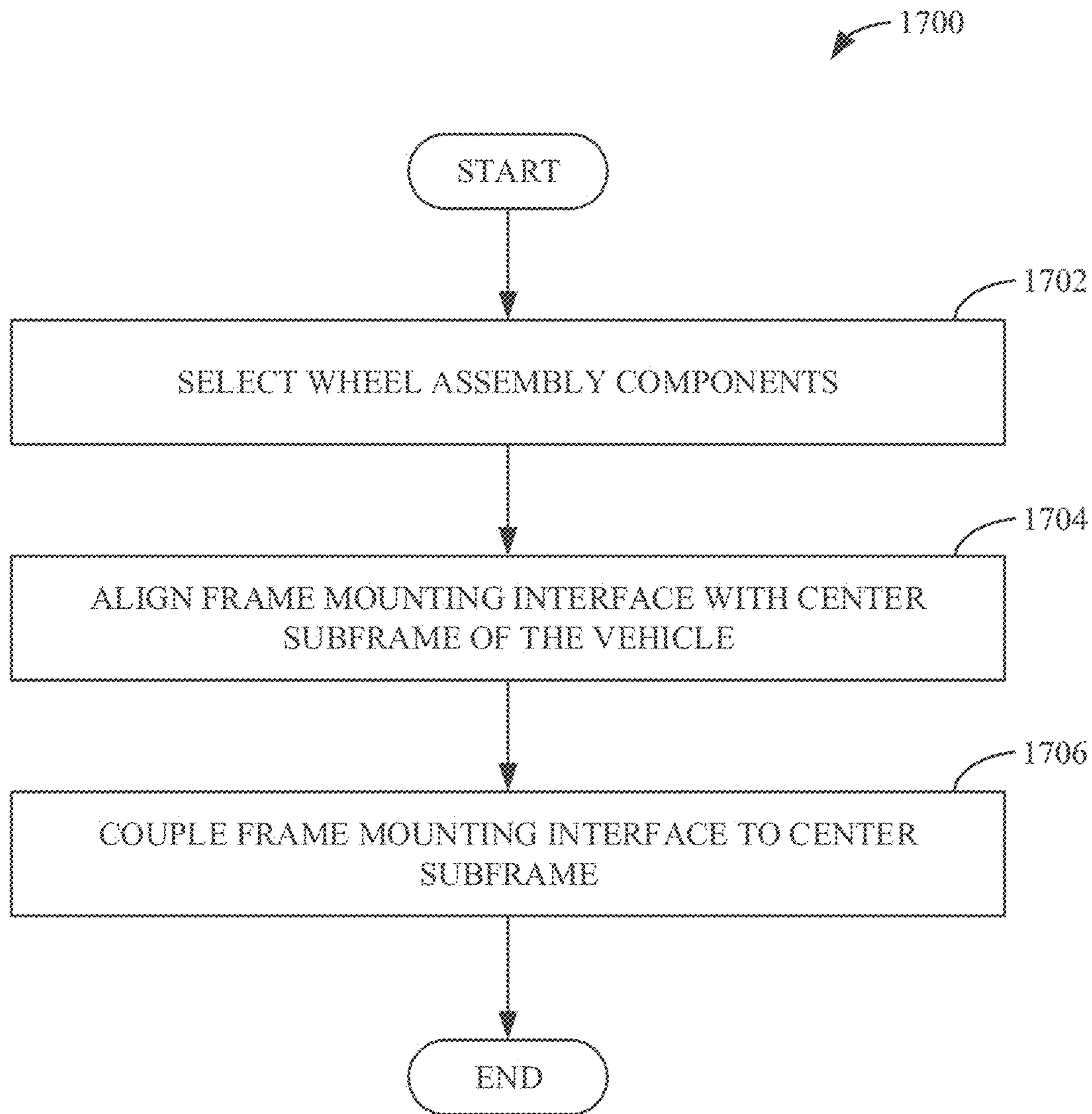


FIG. 17

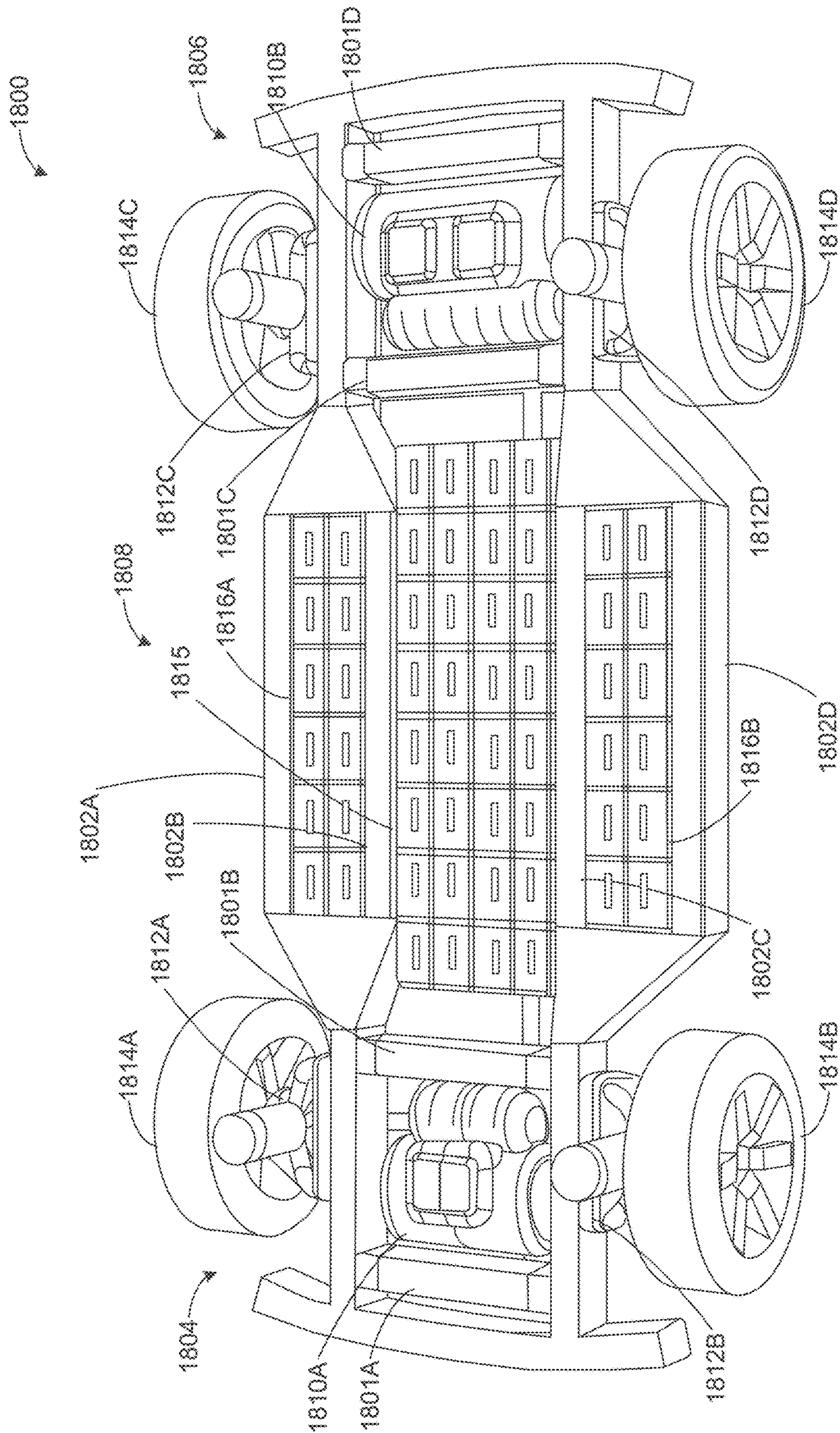


FIG. 18

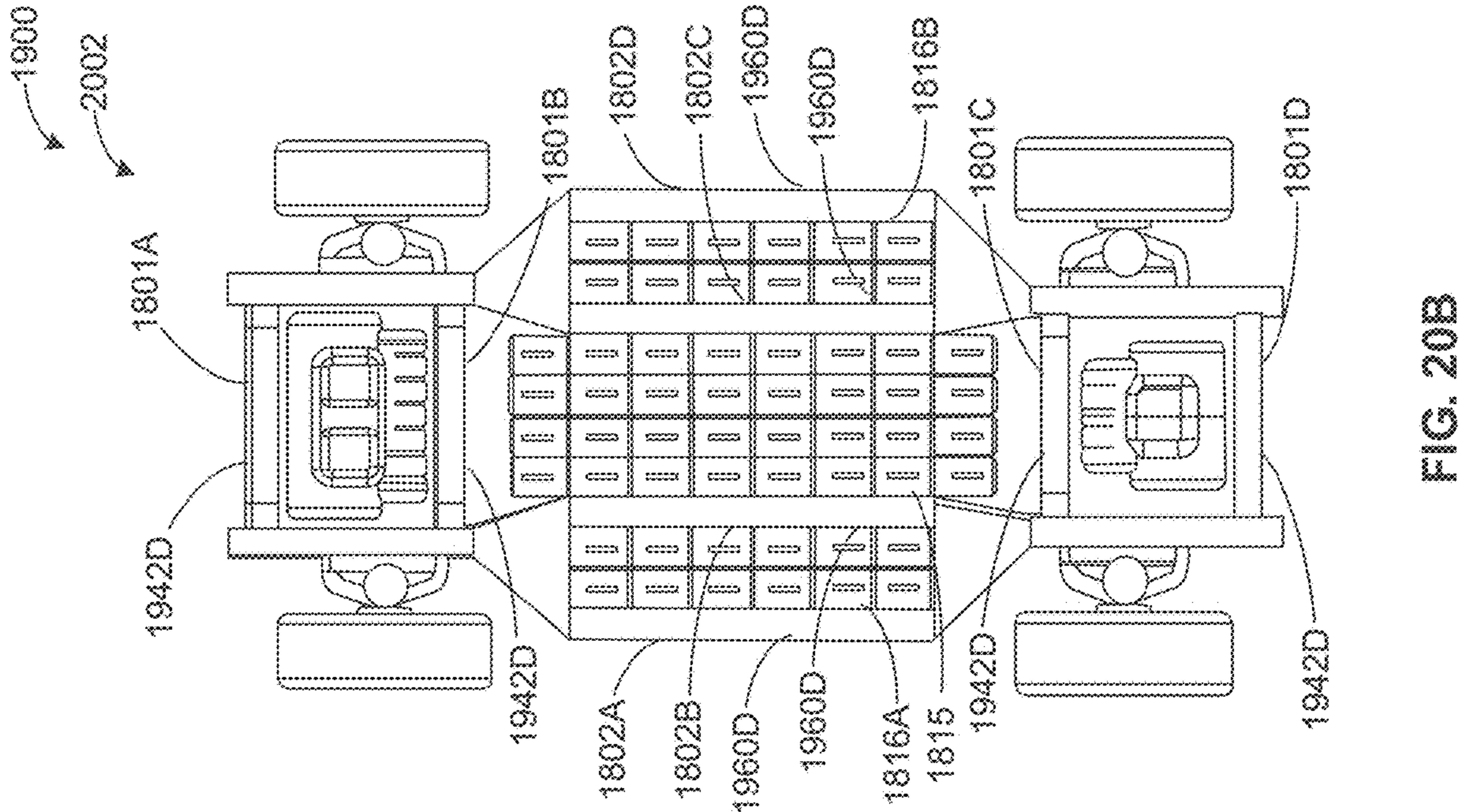


FIG. 20A

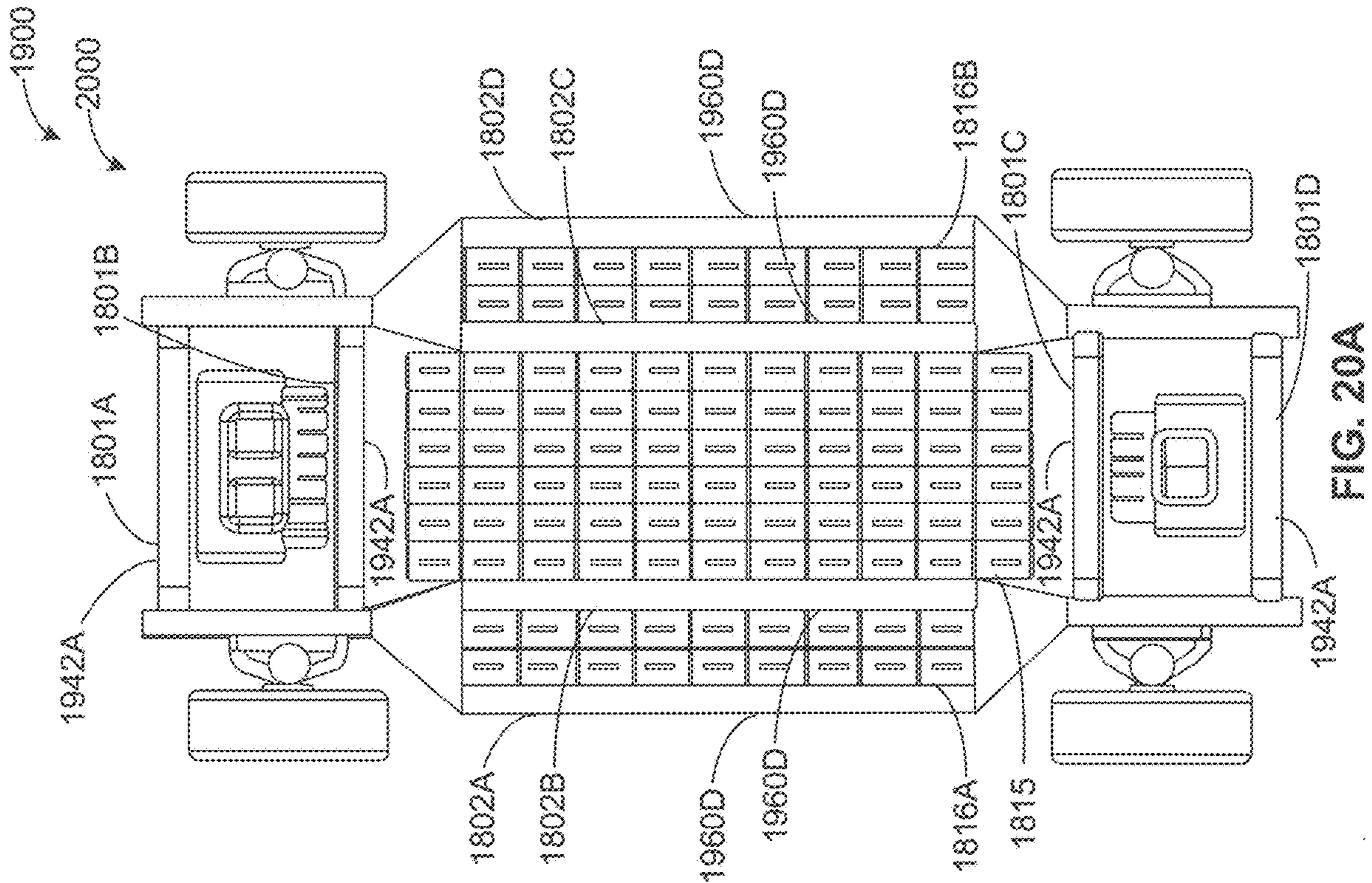


FIG. 20B

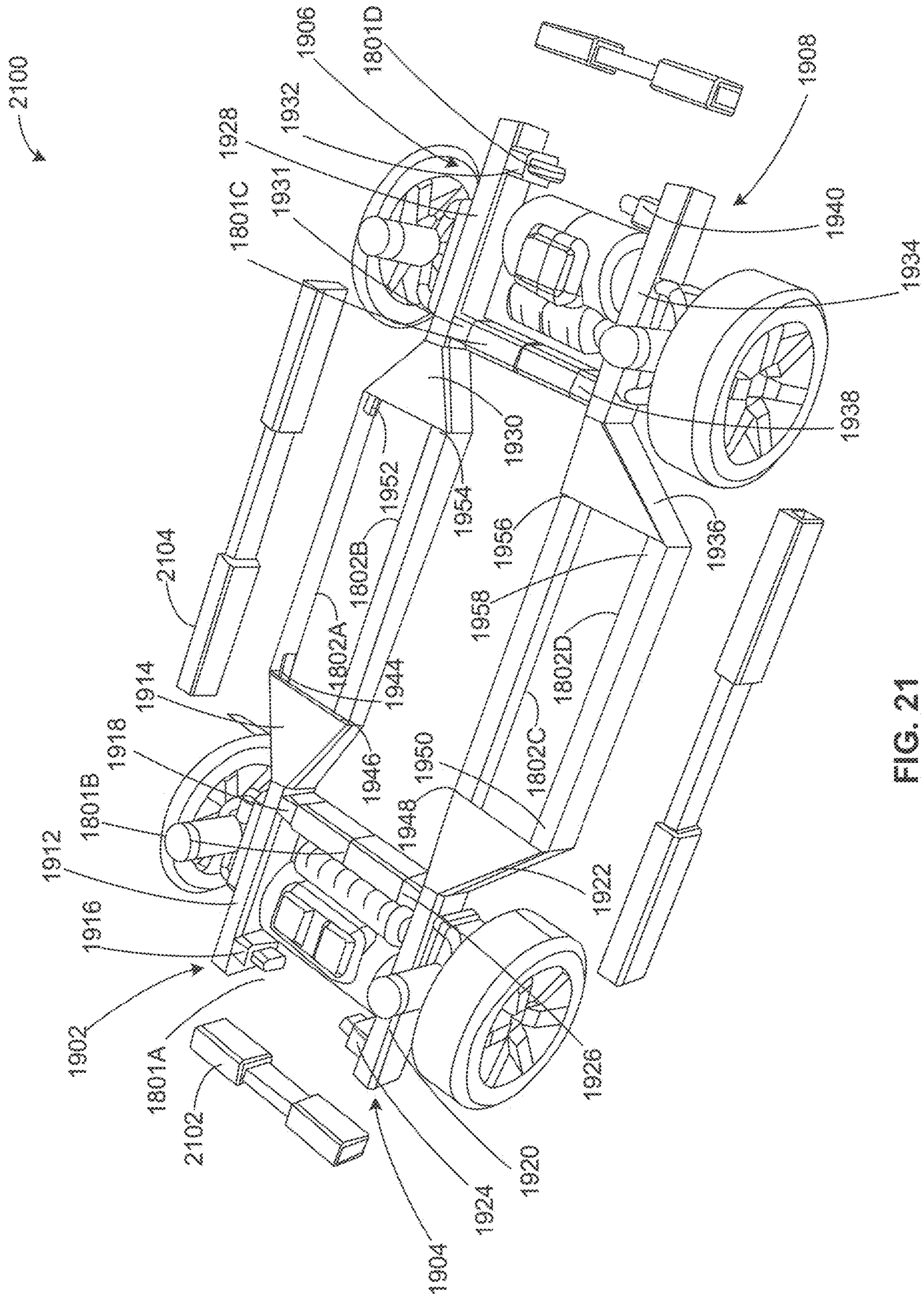


FIG. 21

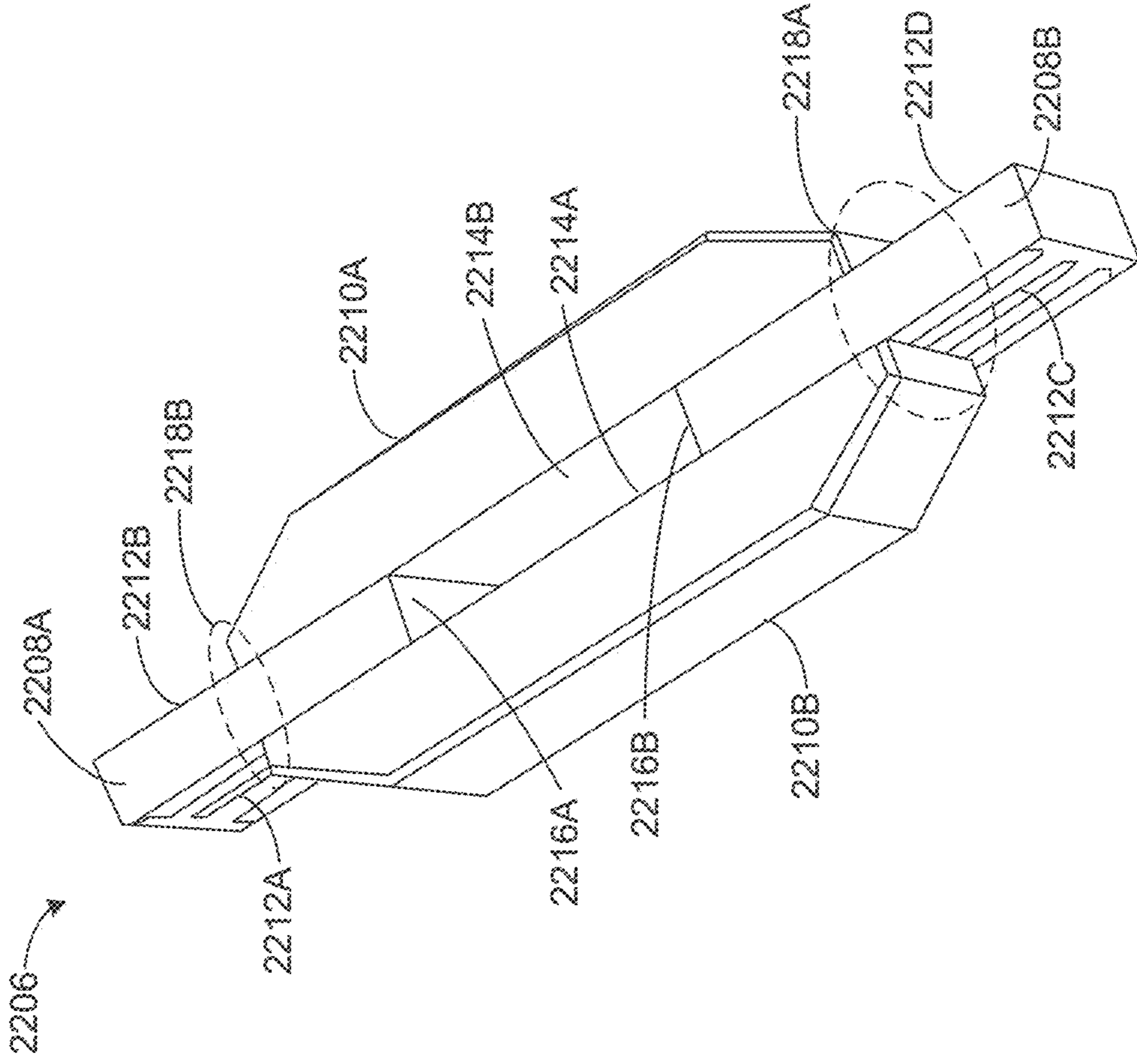


FIG. 22A

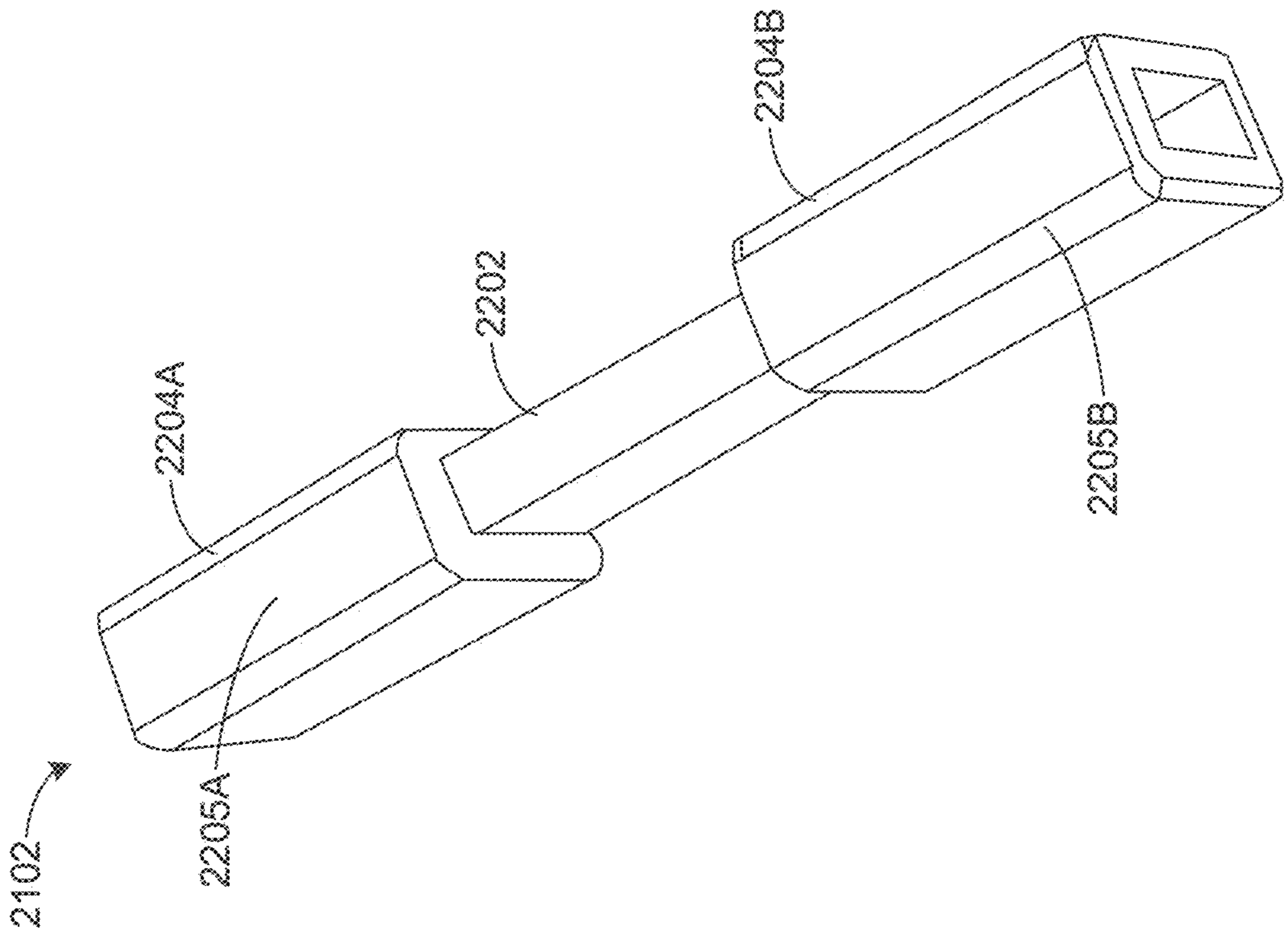


FIG. 22B

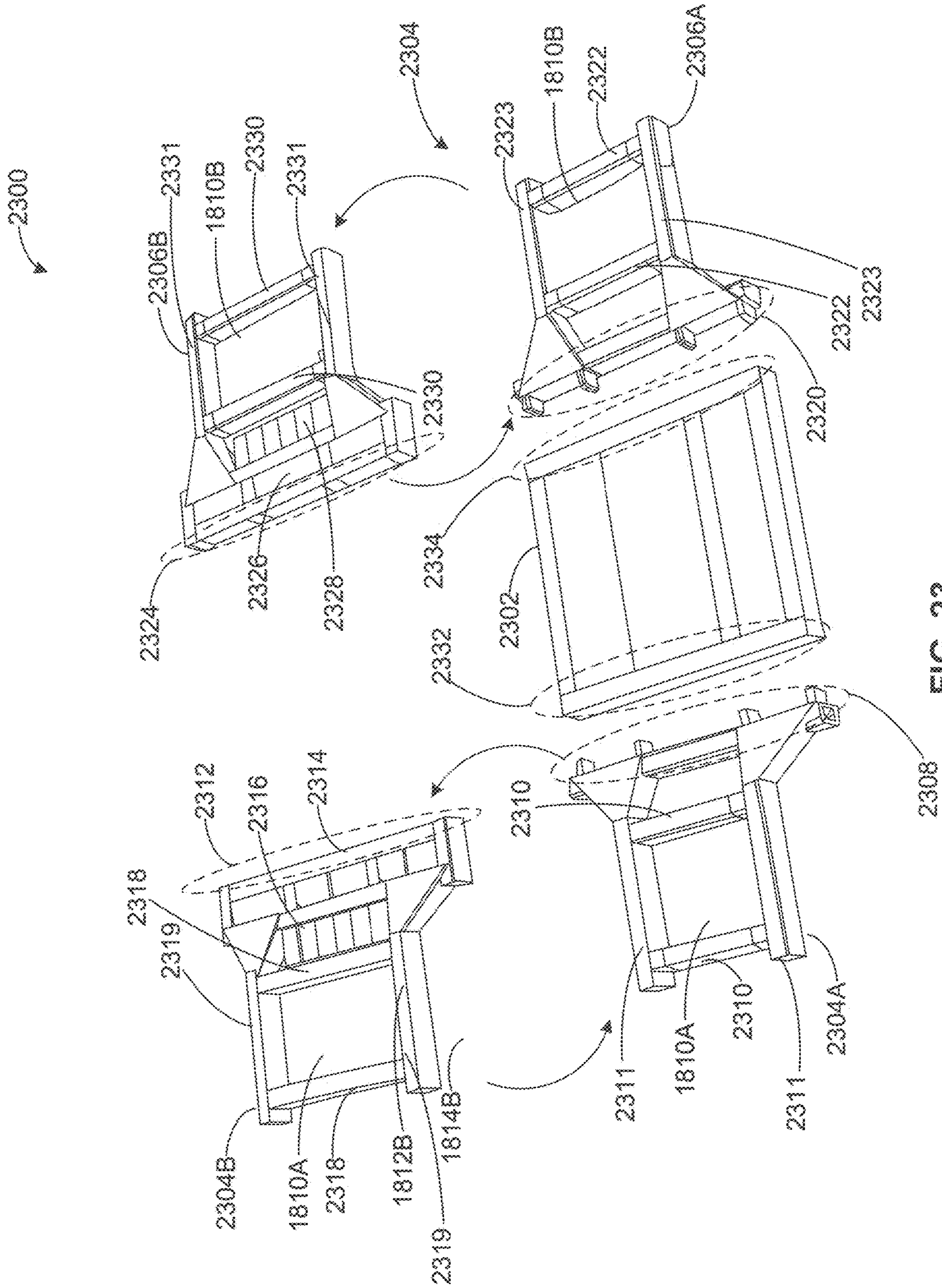


FIG. 23

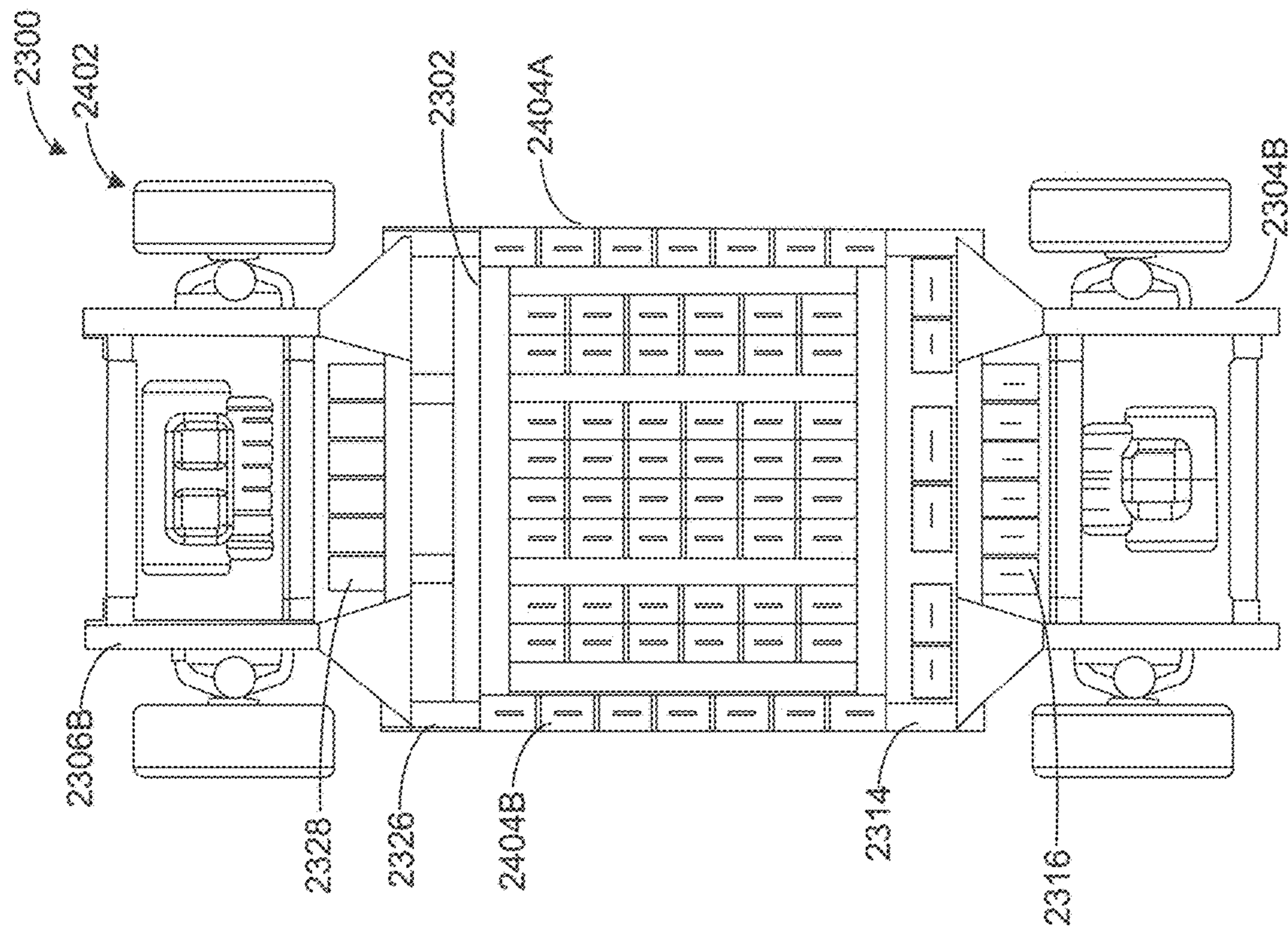


FIG. 24B

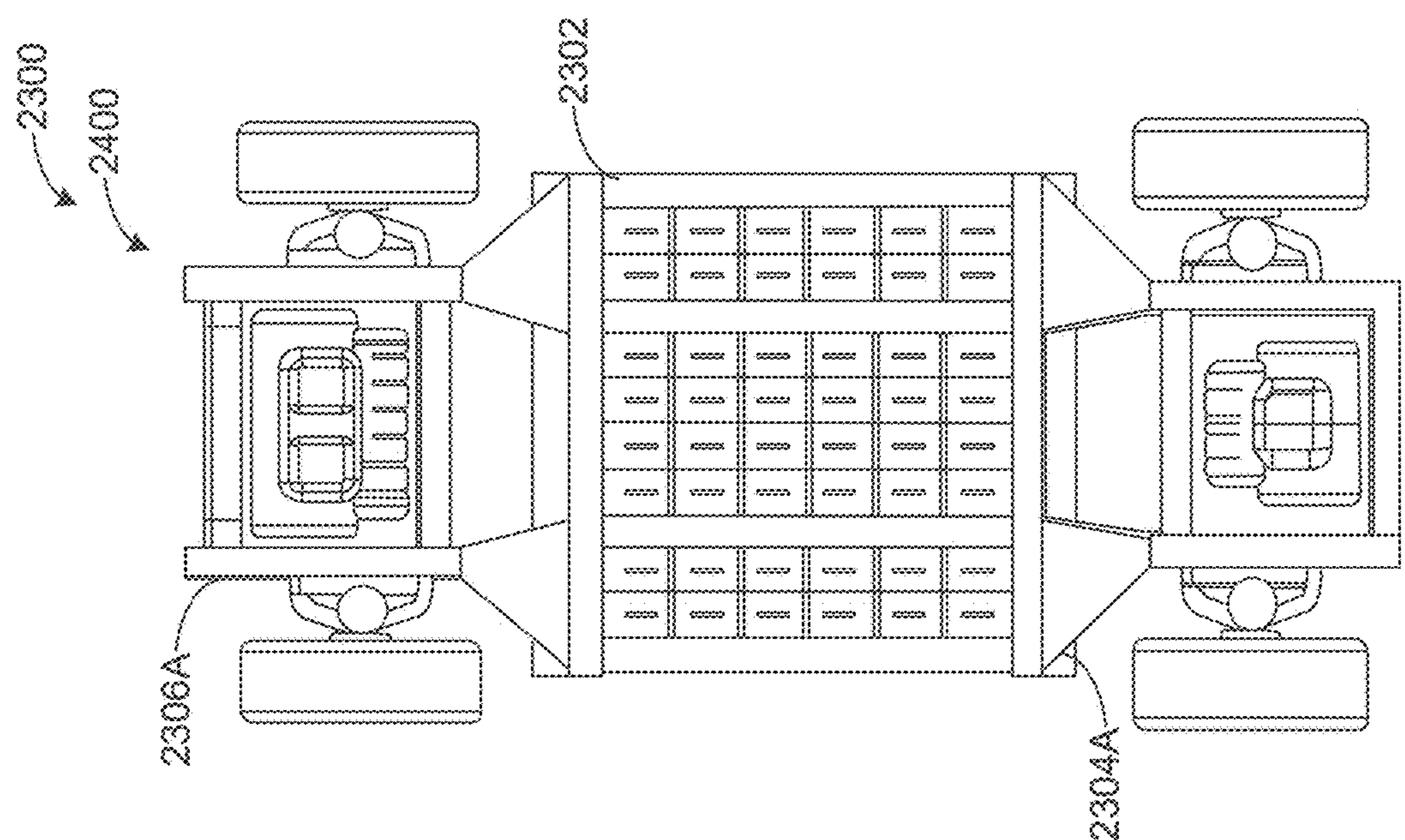


FIG. 24A

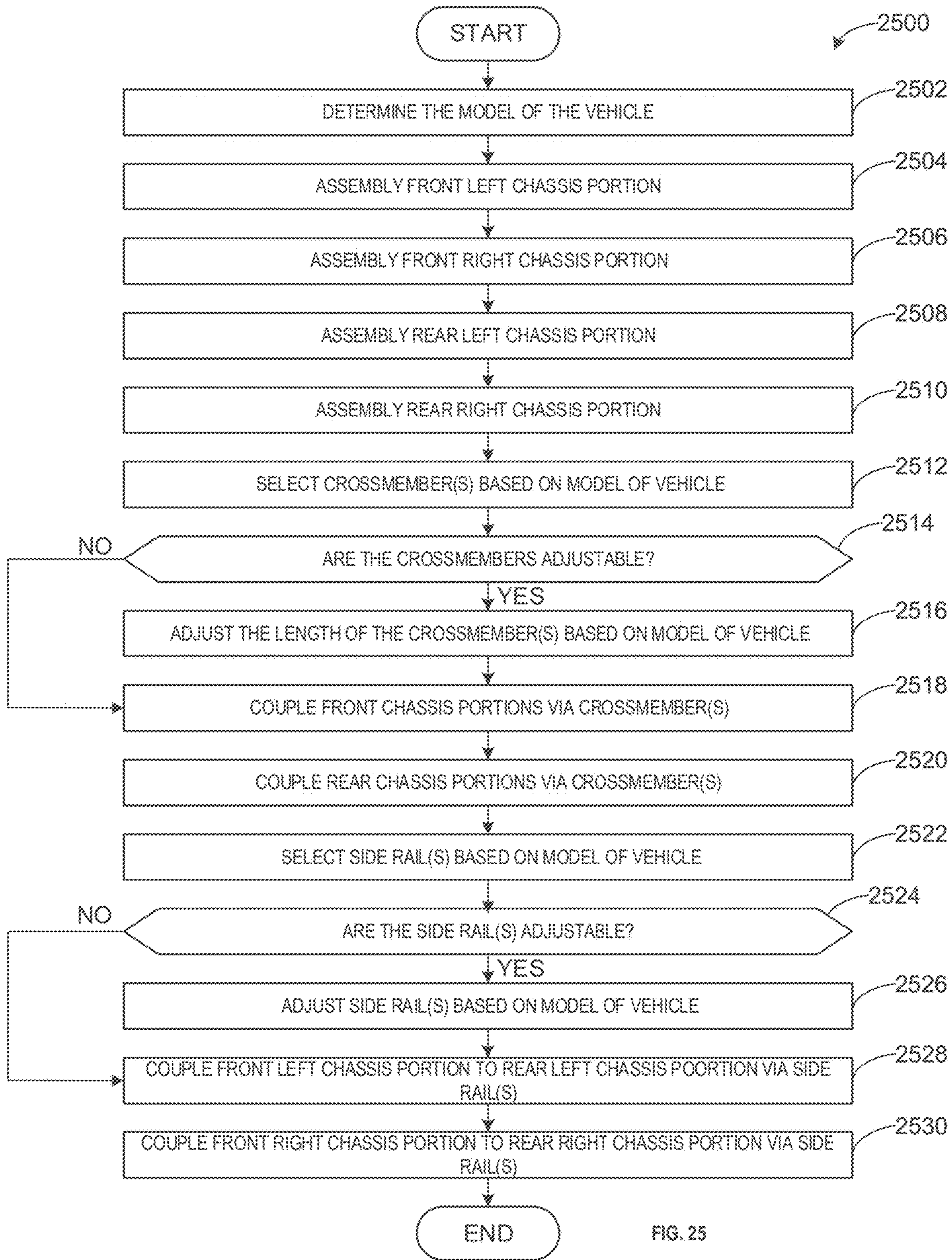


FIG. 25

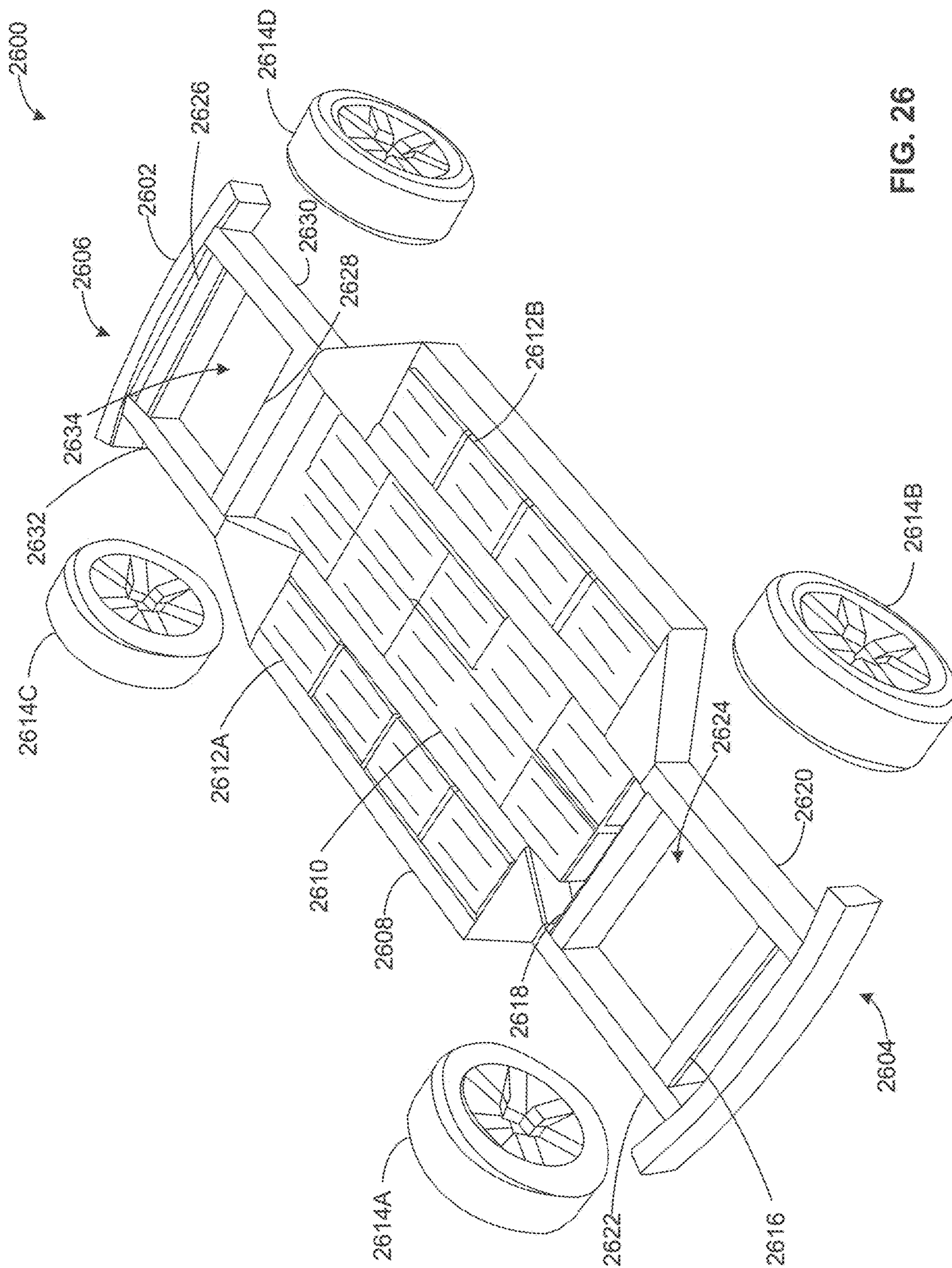


FIG. 26

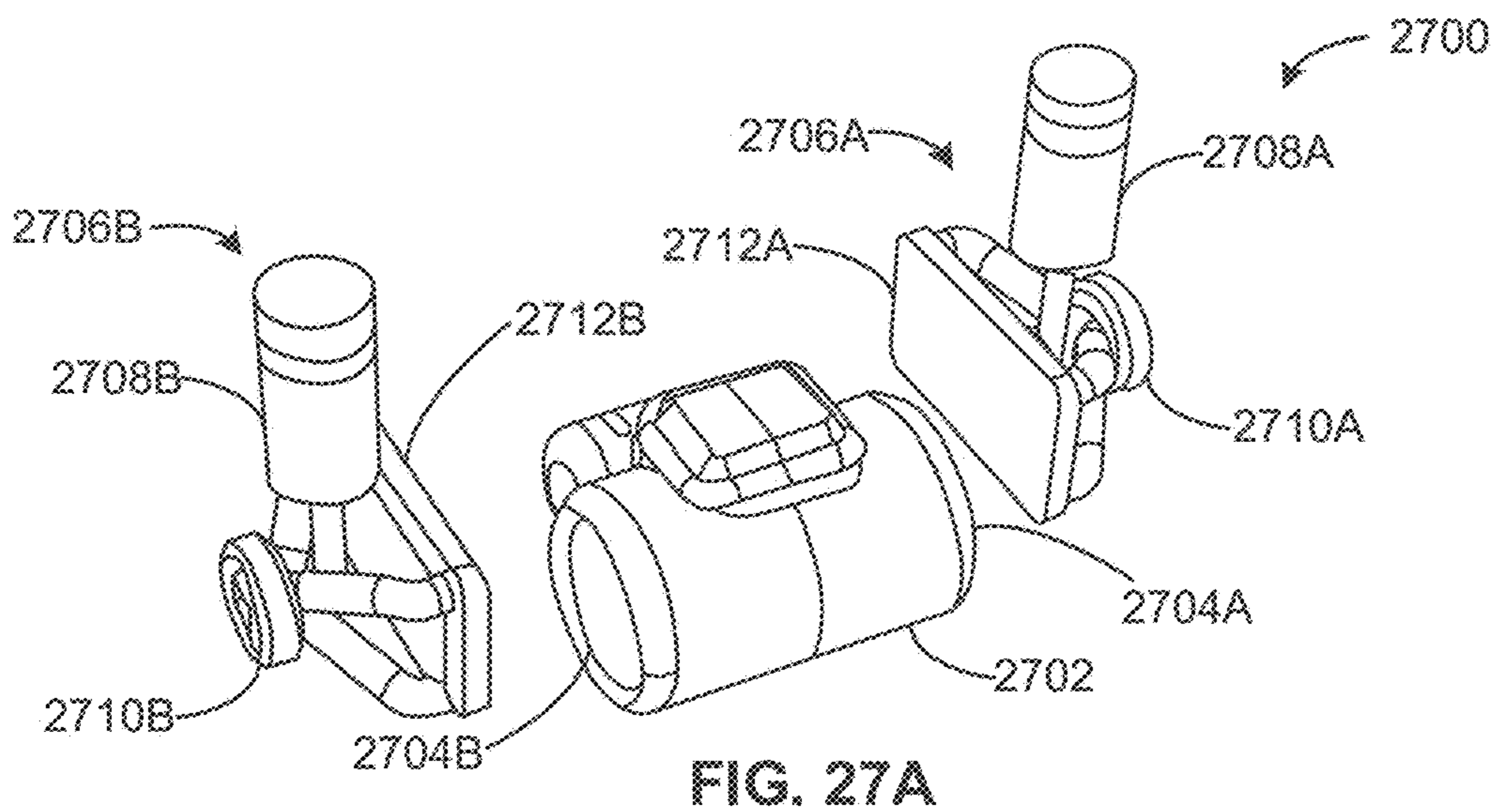


FIG. 27A

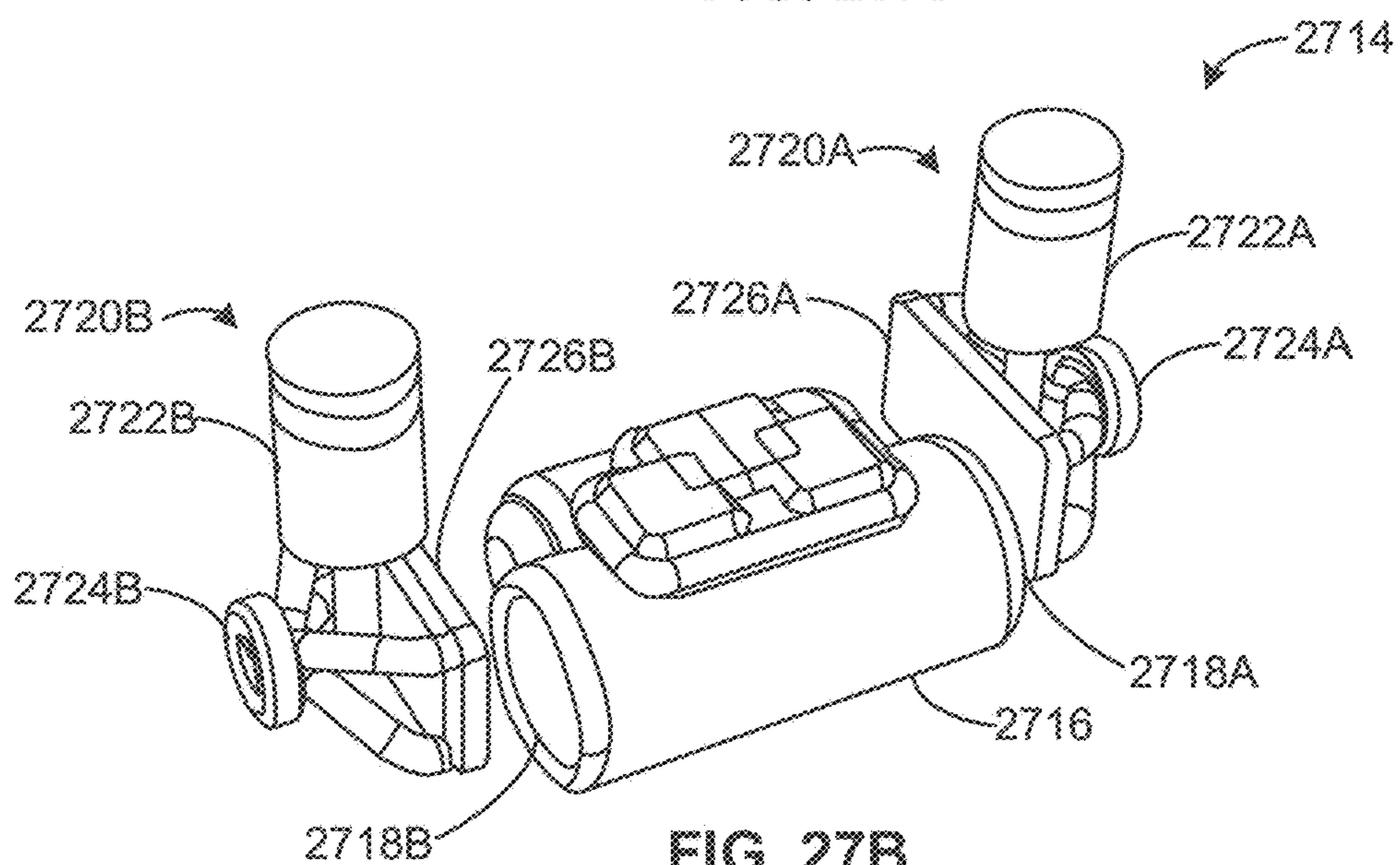


FIG. 27B

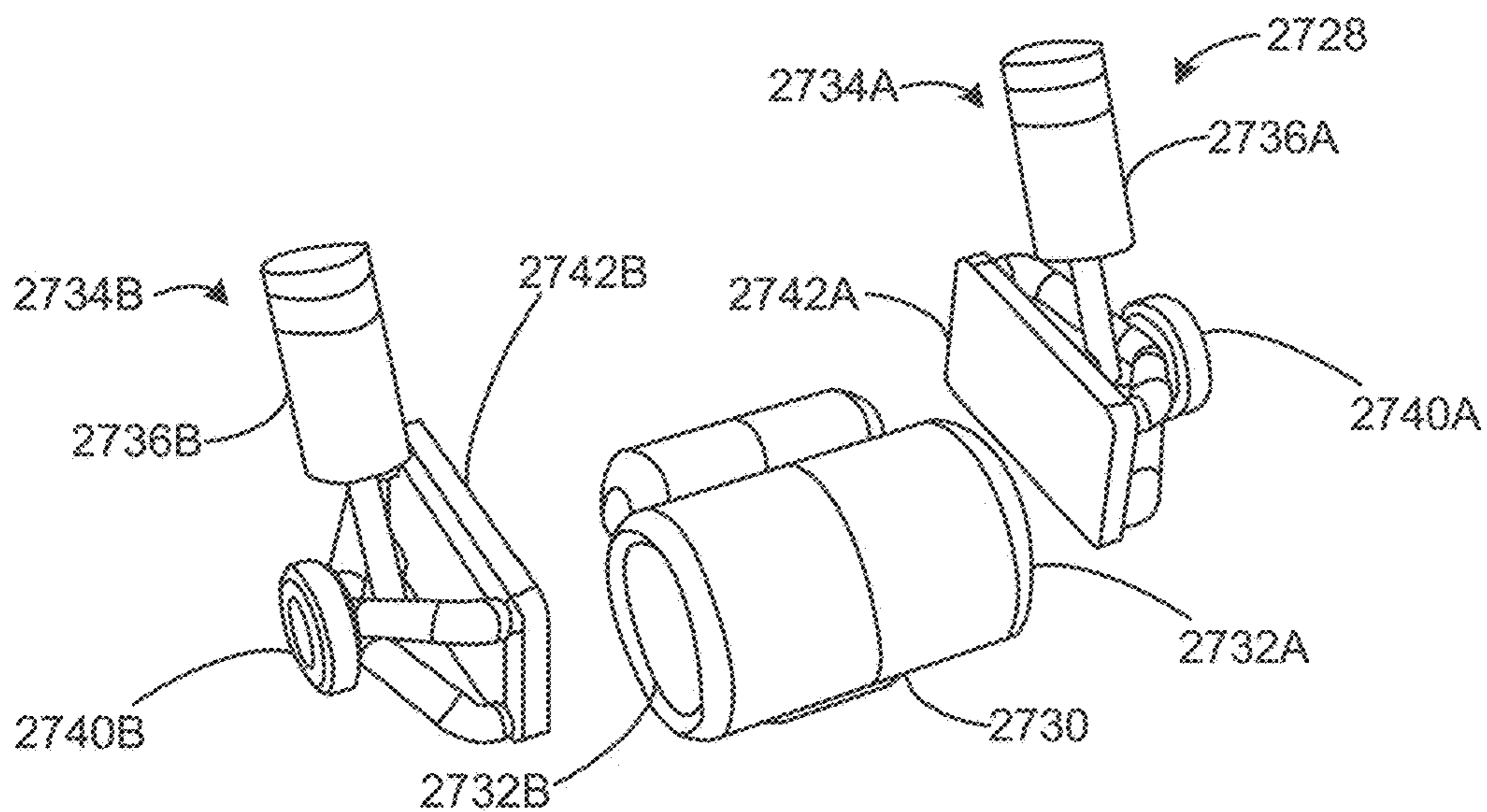


FIG. 27C

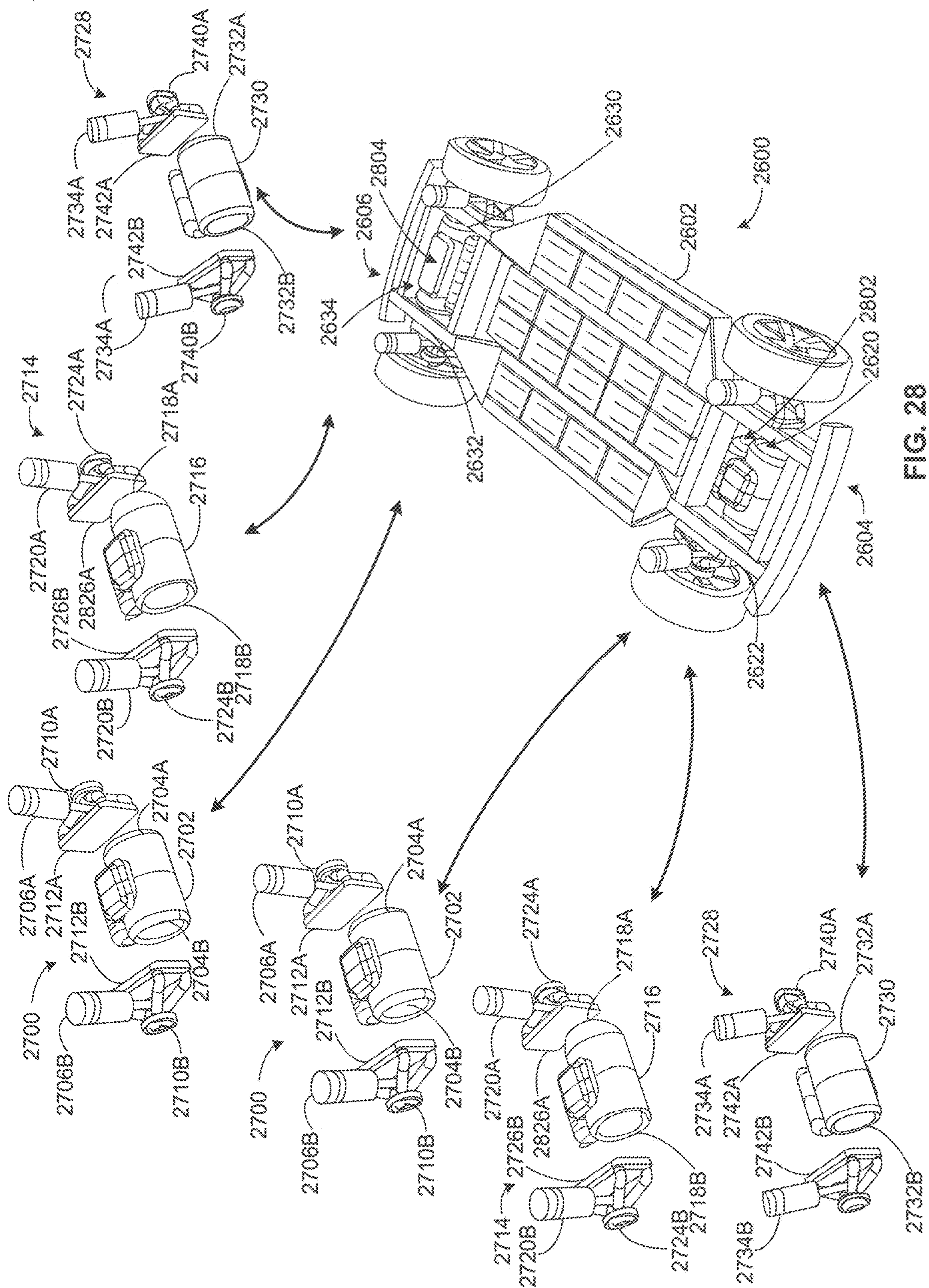


FIG. 28

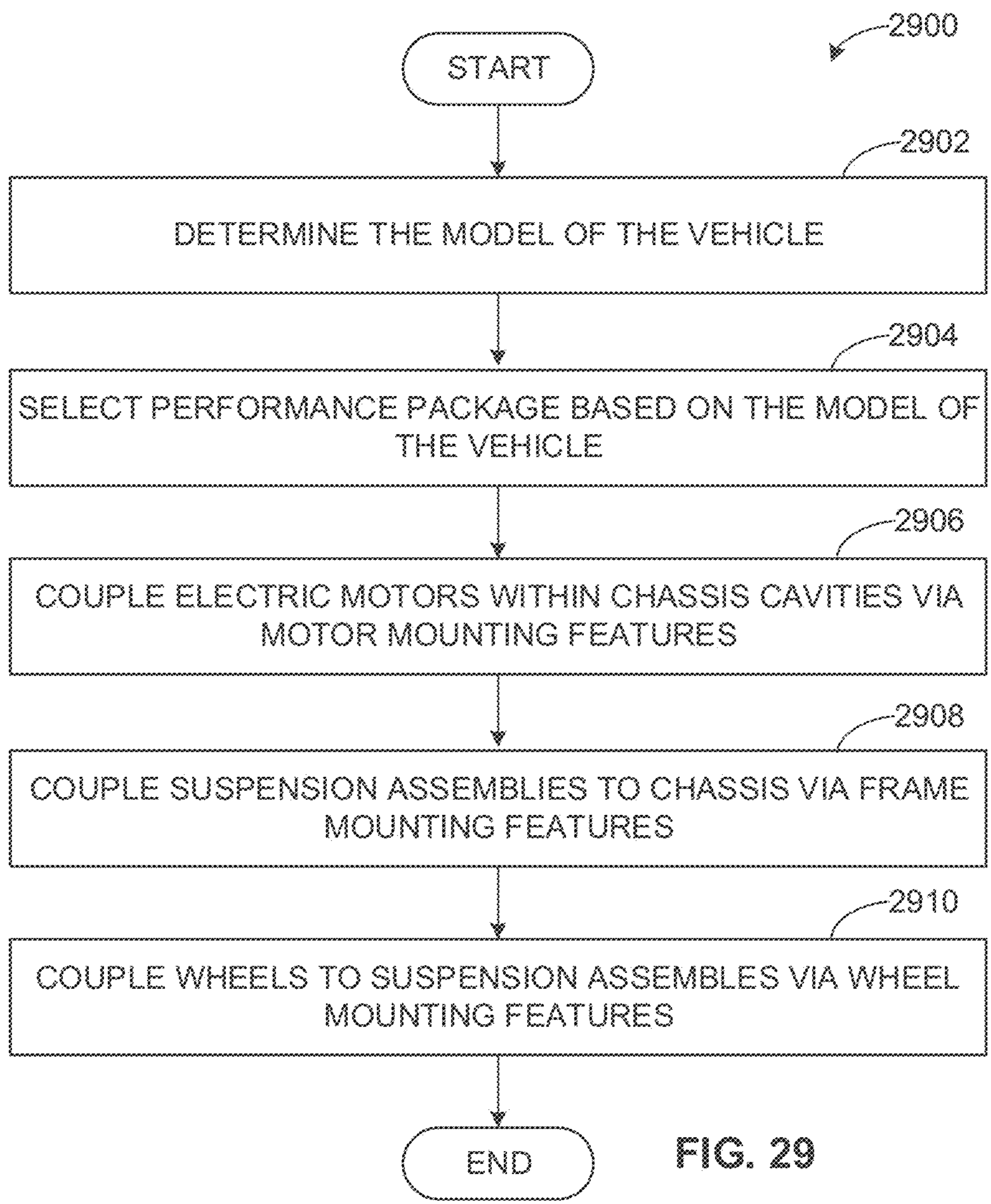
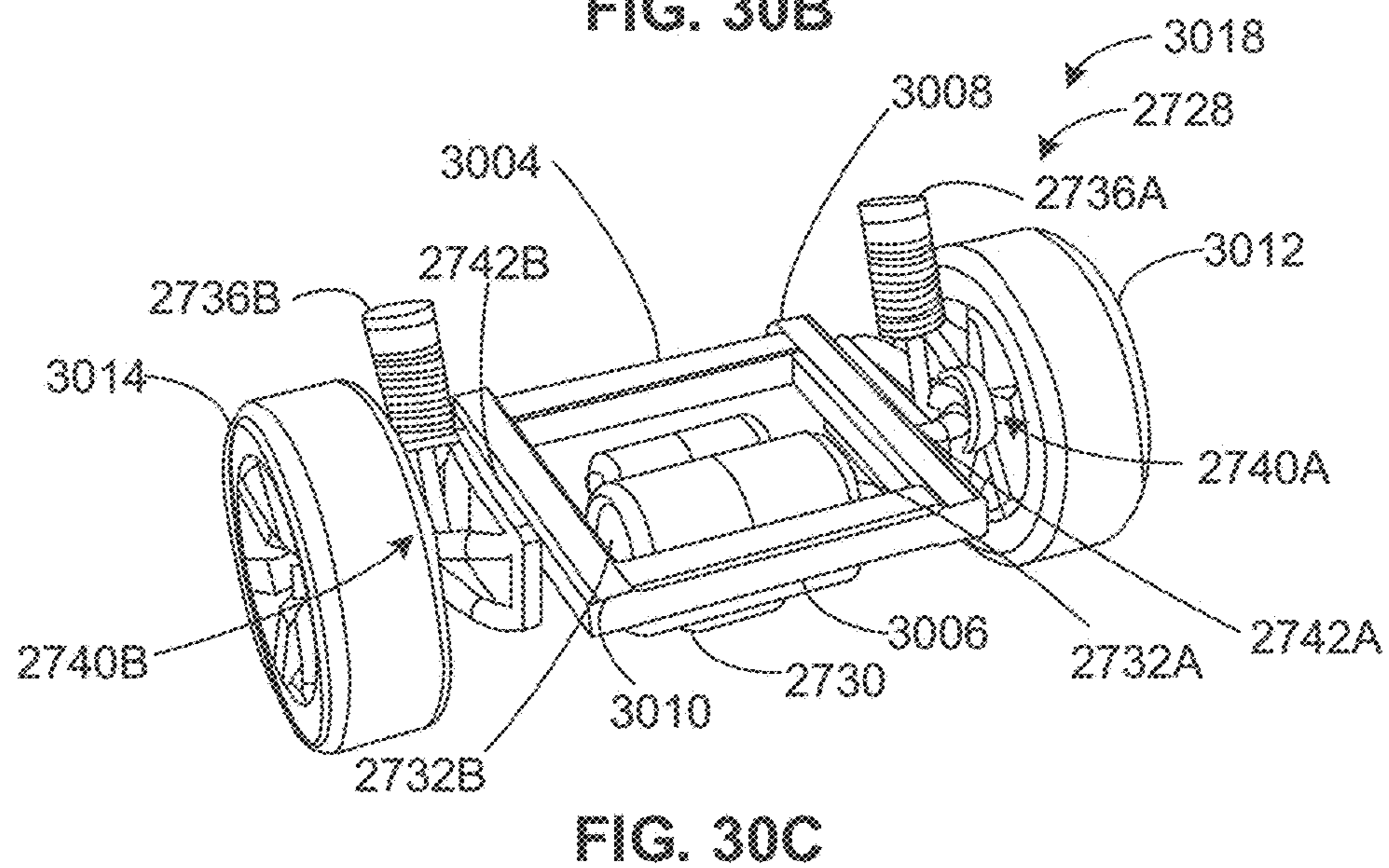
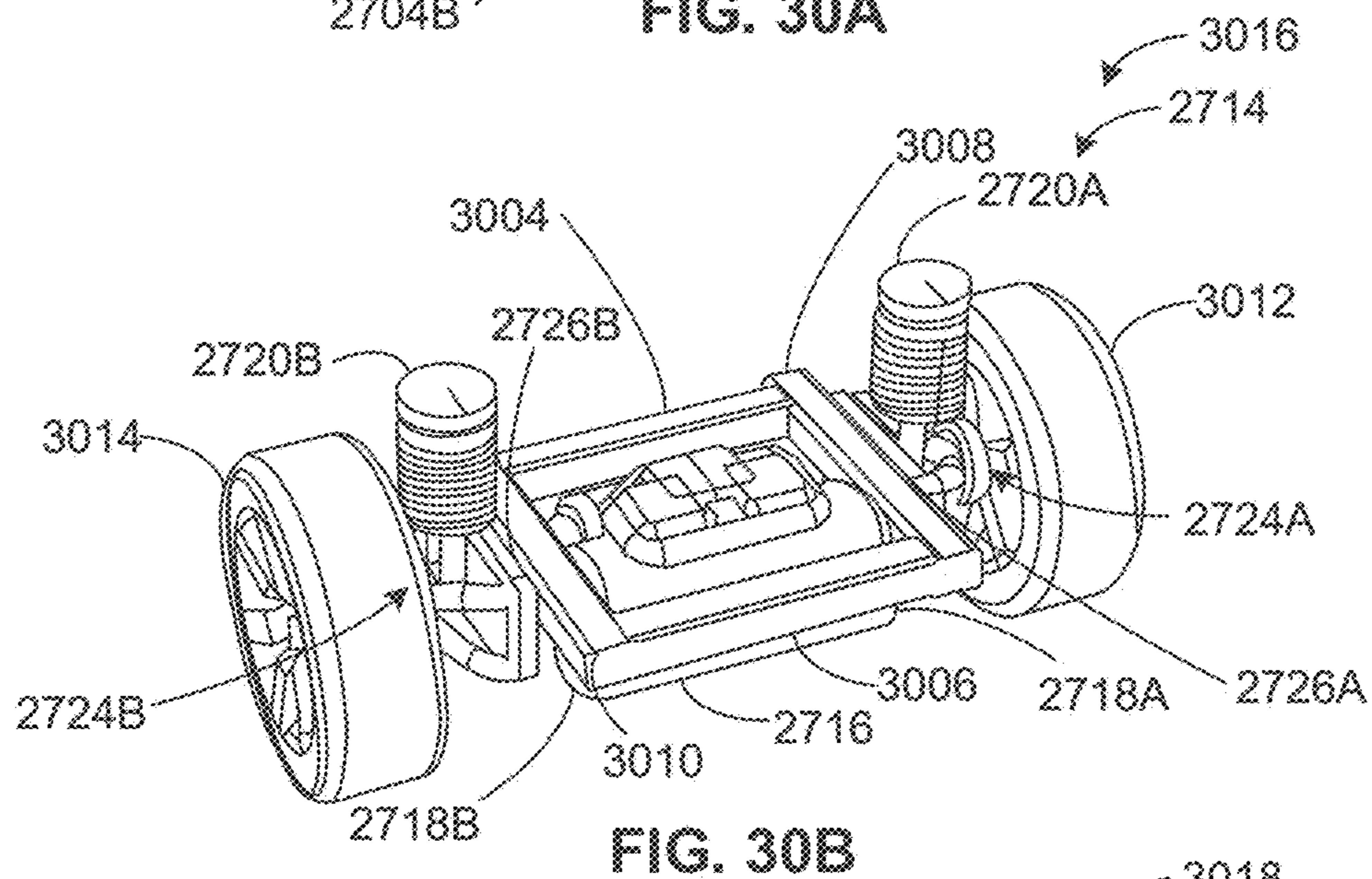
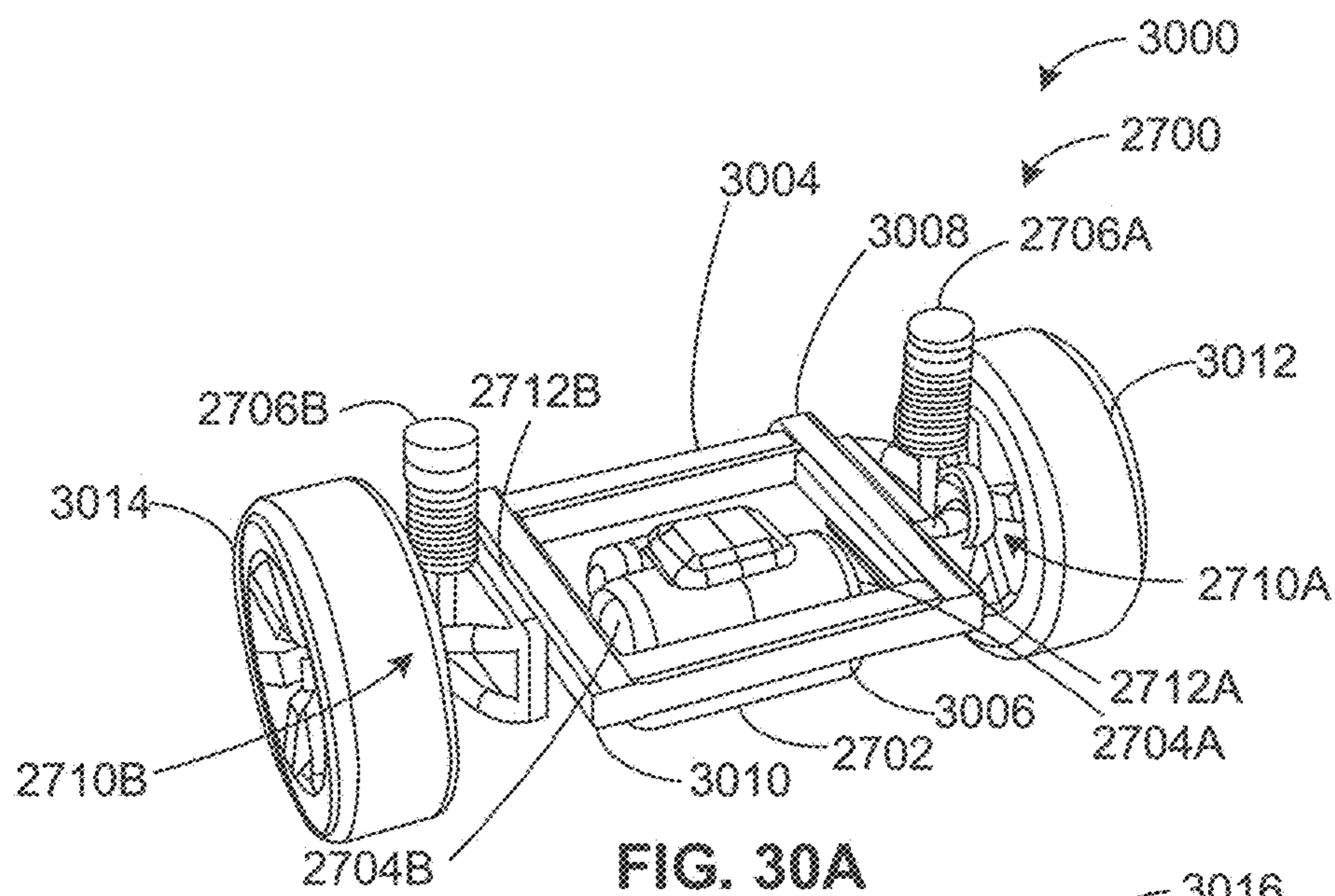


FIG. 29



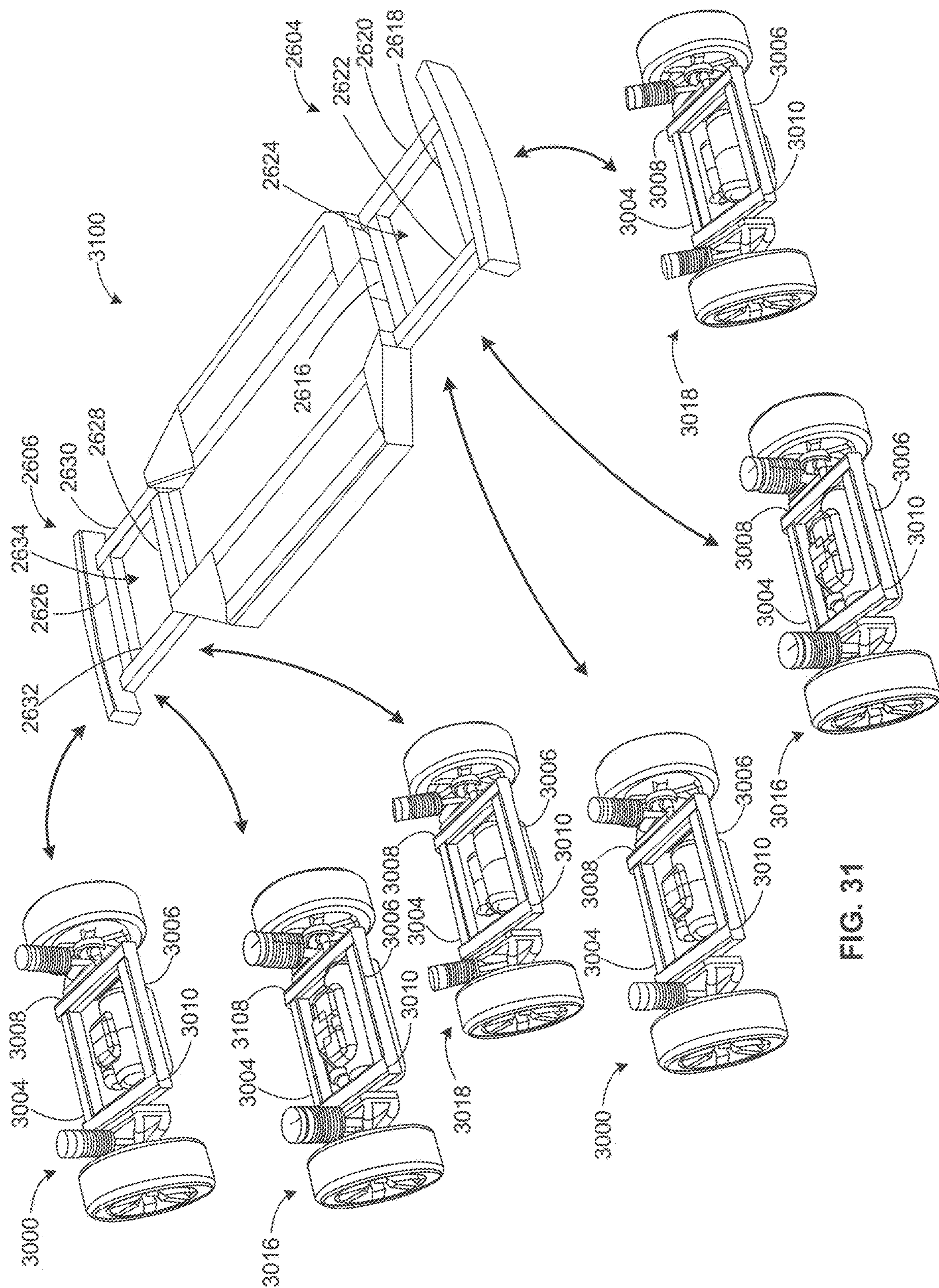
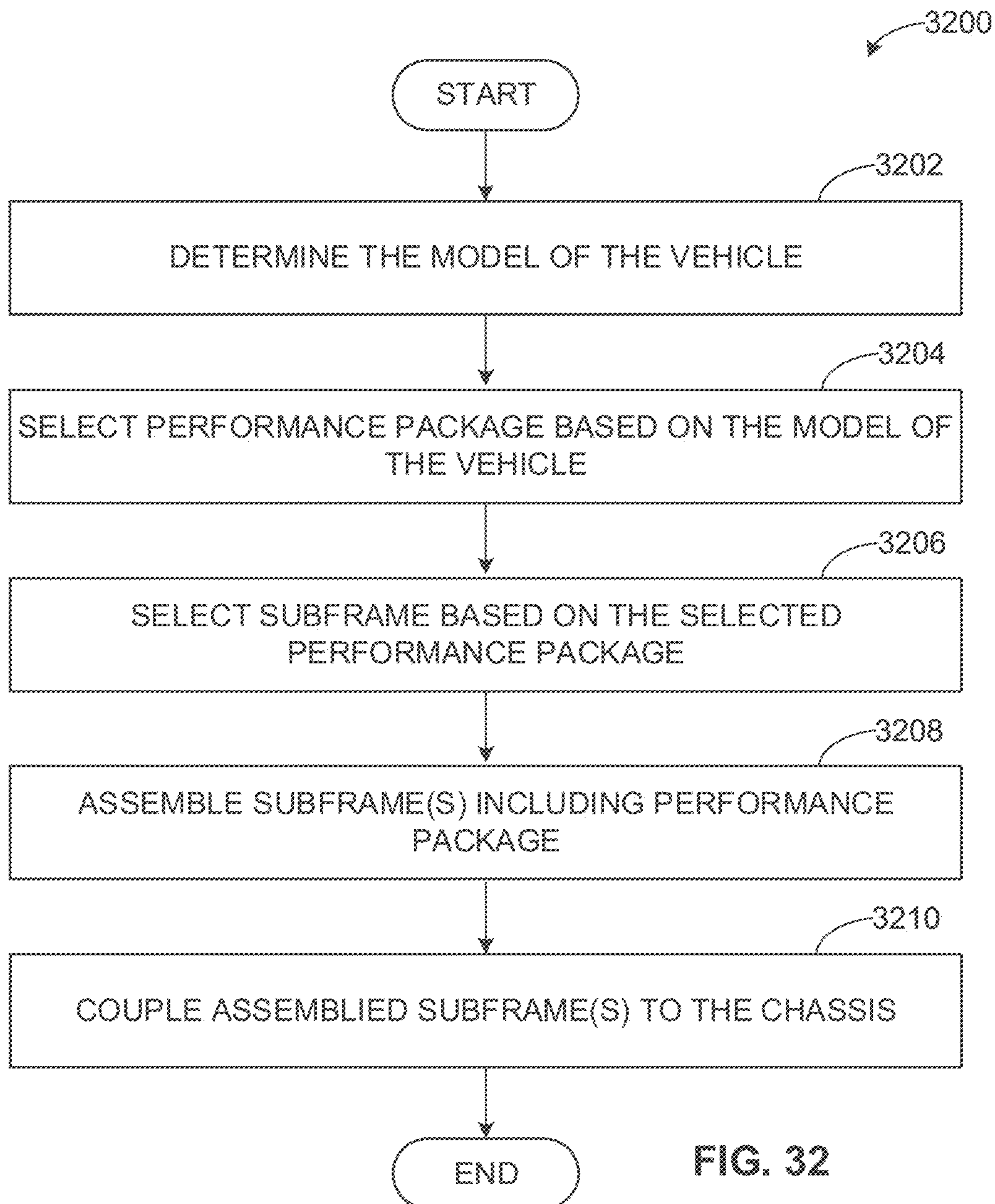


FIG. 31



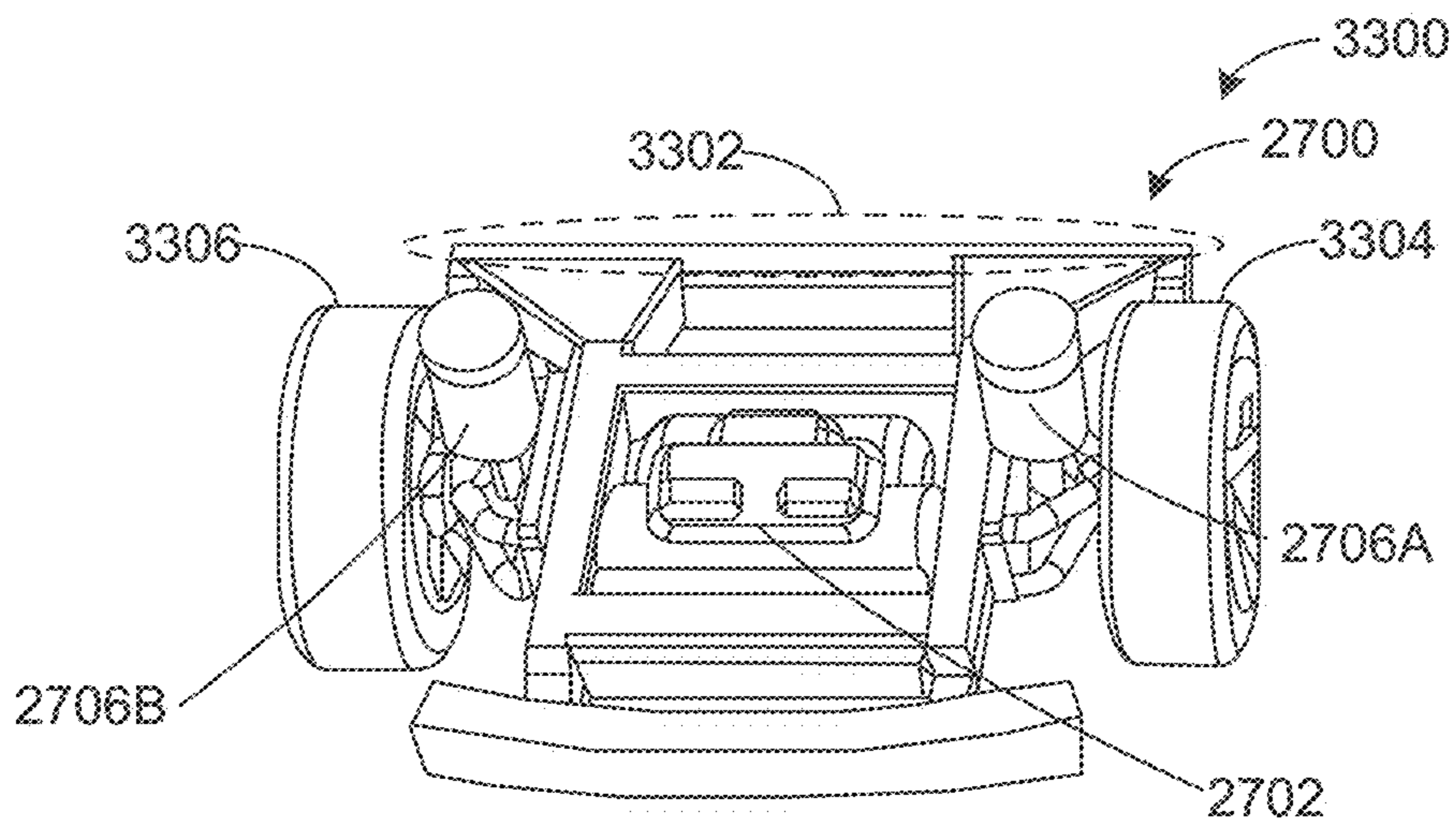


FIG. 33A

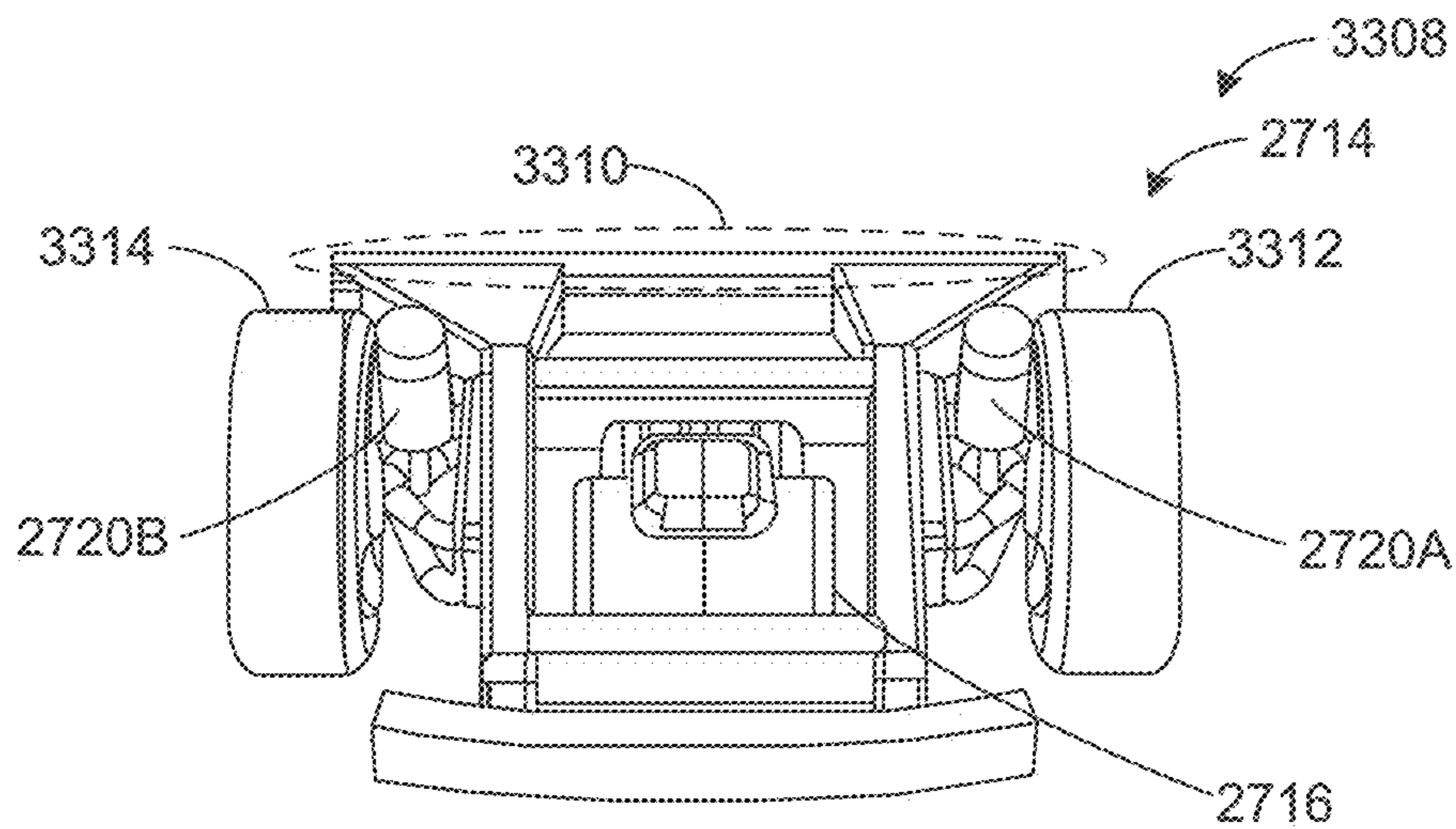


FIG. 33B

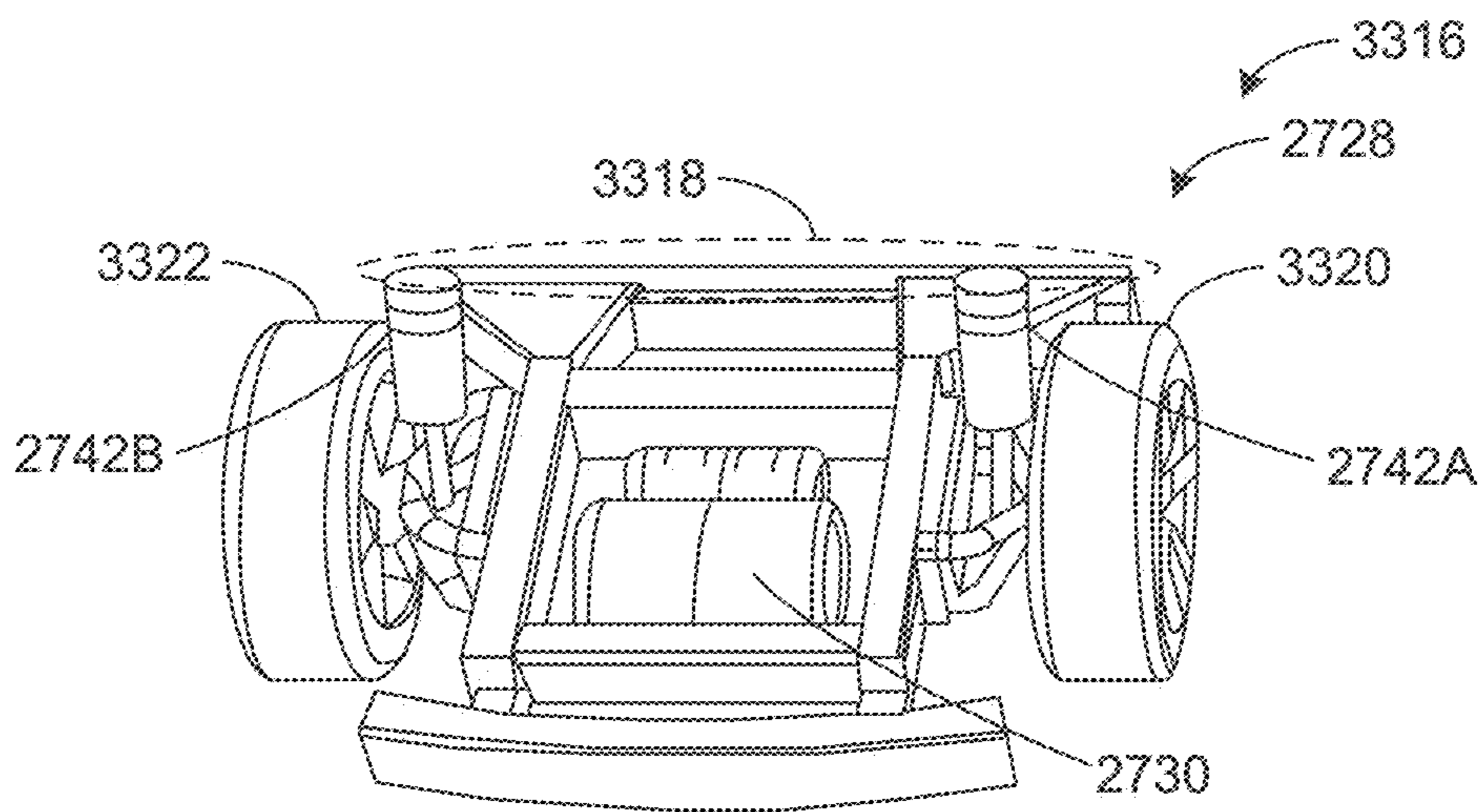
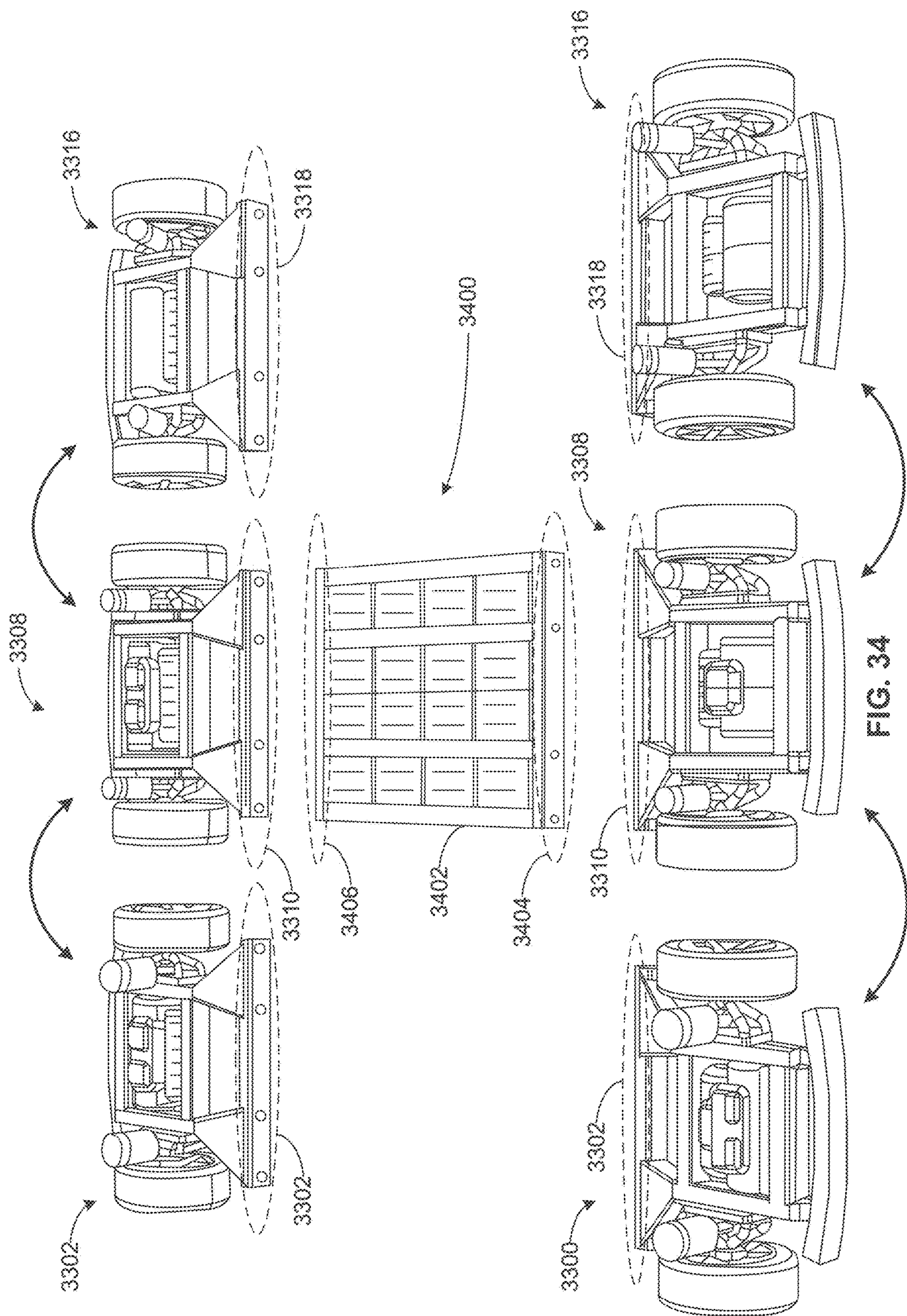


FIG. 33C



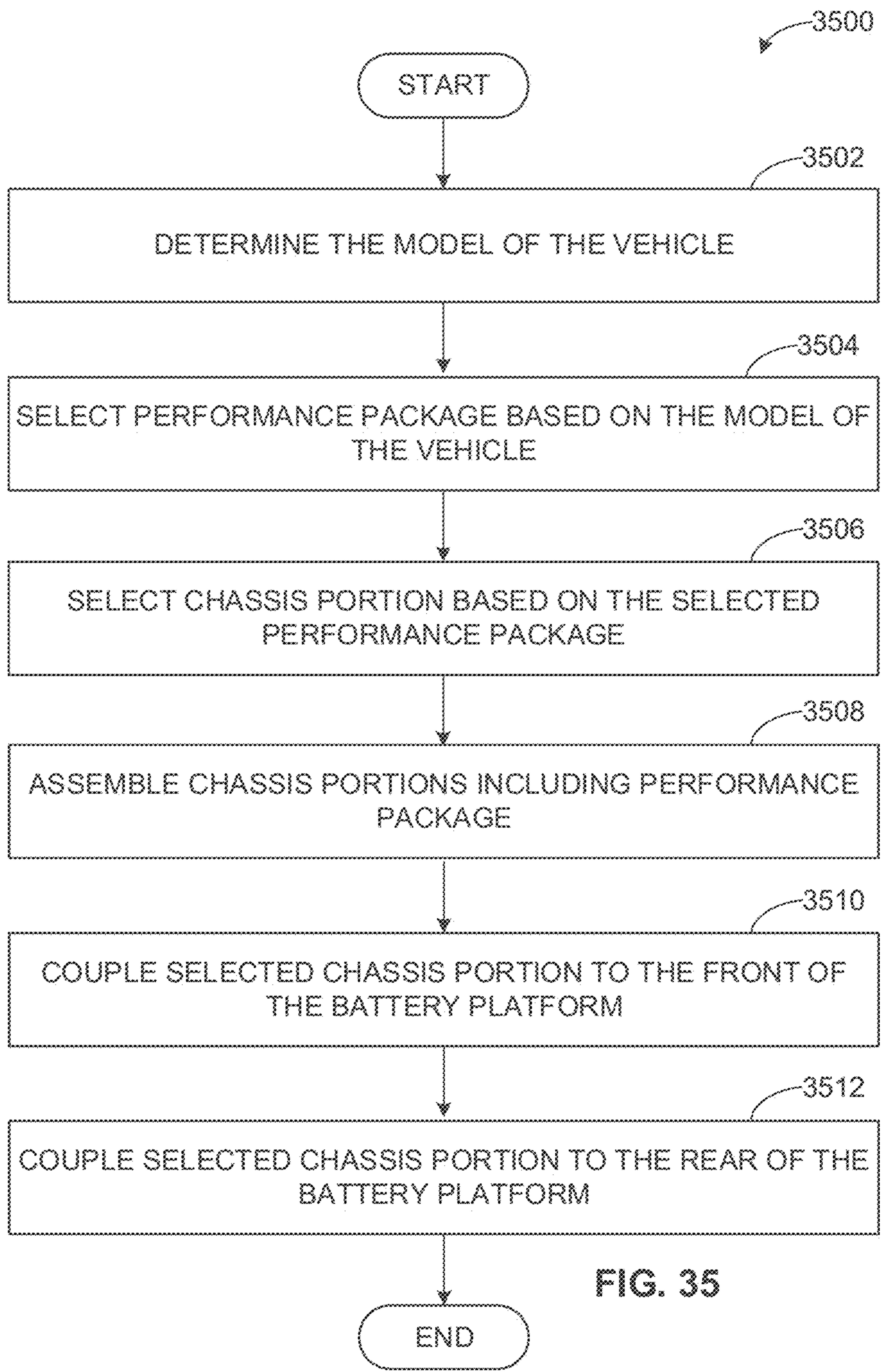


FIG. 35

**VEHICLE CHASSIS WITH
INTERCHANGEABLE PERFORMANCE
PACKAGES AND RELATED METHODS**

RELATED APPLICATION

[0001] This patent is a divisional of U.S. patent application Ser. No. 17/243,383, filed on Apr. 28, 2021 and entitled “VEHICLE CHASSIS WITH INTERCHANGEABLE PERFORMANCE PACKAGES AND RELATED METHODS,” which is hereby incorporated by reference herein in its entirety.

FIELD OF THE DISCLOSURE

[0002] This disclosure relates generally to vehicles and, more particularly, to vehicle chassis with interchangeable performance packages and related methods.

BACKGROUND

[0003] A vehicle frame is the main supporting structure of a vehicle. Vehicle frames can be body-on-frame constructions, where the body of the vehicle is separate from the frame, or unibody constructions, where the frame and the body are integrated. The vehicle frame supports mechanical components of the vehicle and manages the static and dynamic loads on the vehicle (e.g., the weight of passengers and cargo, torsional twisting due to uneven road surfaces, torque from a vehicle engine and/or transmission, etc.). In some examples, vehicle frames include subframes. Subframes are discrete structures within the frame that support specific vehicle structures.

SUMMARY

[0004] An example vehicle chassis disclosed herein includes a frame including a first chassis portion including a cavity, a battery platform coupled to first chassis portion, and a first subframe couplable within the cavity, the first subframe including a first motor and a first suspension assembly, and a second subframe couplable within the cavity, the second subframe including a second motor and a second suspension assembly, the second motor having a greater power than the first motor, the second suspension assembly having a greater stiffness than the first suspension assembly.

[0005] Another example vehicle chassis disclosed herein includes a first chassis portion including a first longitudinal member and a second longitudinal member, the first longitudinal member and the second longitudinal member defining a first cavity, a second chassis portion, and wherein the vehicle chassis is in a first configuration when a first motor is coupled to a first inboard surface of the first cavity and a first suspension assembly is coupled to a first outboard surface of at least one of the first longitudinal member or the second longitudinal member, and wherein the vehicle chassis is in a second configuration when a second motor is coupled the first inboard surface of the first cavity and a second suspension assembly is coupled to the first outboard surface, the first motor having a greater power than the second motor, the first suspension assembly having a greater stiffness than the second suspension assembly.

[0006] An example method to assemble a frame of a vehicle disclosed herein includes assembling a first chassis portion including a first cavity, determining a model of the vehicle, in response to determining the vehicle is a first

model selecting a first performance package including a first motor and a first suspension assembly based on the first model, coupling the first motor within the first cavity, and coupling the first suspension assembly to the first chassis portion, and in response to determining the vehicle is a second model selecting a second performance package including second motor and a second suspension assembly based on the second model, the first motor having a different power than the second motor, the first suspension assembly having a different stiffness than the second suspension assembly, coupling the second motor within the first cavity, and coupling the second suspension assembly to the first chassis portion.

BRIEF DESCRIPTION OF THE DRAWINGS

[0007] FIG. 1 is a perspective view of a vehicle in which examples disclosed herein can be implemented.

[0008] FIG. 2A illustrates an example reversible frame in accordance with teachings of this disclosure and configured for a low ride height of the example vehicle of FIG. 1.

[0009] FIG. 2B illustrates the example reversible frame of FIG. 2A configured for a high ride height of the example vehicle of FIG. 1.

[0010] FIG. 3 illustrates the example reversible frame of FIGS. 2A and/or 2B rotated about an example longitudinal axis between first and second positions.

[0011] FIG. 4 is a flowchart representative of an example method to produce the example reversible frame of FIGS. 2A, 2B, and/or 3.

[0012] FIG. 5 illustrates a first example configurable vehicle chassis in accordance with teachings of this disclosure.

[0013] FIG. 6A illustrates the first example configurable vehicle chassis of FIG. 5 configured for a high ride height of the example vehicle of FIG. 1.

[0014] FIG. 6B illustrates the first example configurable vehicle chassis of FIGS. 5 and/or 6A configured for a low ride height of the example vehicle of FIG. 1.

[0015] FIG. 7 illustrates a second example configurable vehicle chassis in accordance with teachings of this disclosure.

[0016] FIG. 8A illustrates the second example configurable vehicle chassis of FIG. 7 configured for a high ride height of the example vehicle of FIG. 1.

[0017] FIG. 8B illustrates the second example configurable vehicle chassis of FIGS. 7 and/or 8A configured for a low ride height of the example vehicle of FIG. 1.

[0018] FIG. 9 is a flowchart representative of an example method to produce the first example configurable vehicle chassis of FIGS. 5, 6A, and/or 6B and/or the second example configurable vehicle chassis of FIGS. 7, 8A, and/or 8B.

[0019] FIG. 10 illustrates example wheel assembly mounts in accordance with the teachings of this disclosure.

[0020] FIG. 11A illustrates an example wheel assembly mount of FIG. 10 configured for a low ride height and a high ride height of the example vehicle of FIG. 1.

[0021] FIG. 11B illustrates an example wheel assembly mount of FIG. 10 coupled to the example vehicle frame of FIG. 10 for a low ride height of the example vehicle of FIG. 1.

[0022] FIG. 11C illustrates an example alternative wheel assembly mount and alternative rail portion of the frame for an adjustable ride height of the example vehicle of FIG. 1.

[0023] FIG. 12A illustrates example wheel assembly mounts coupled to the example vehicle frame of FIG. 10 for a low ride height of the example vehicle of FIG. 1.

[0024] FIG. 12B illustrates example wheel assembly mounts coupled to the example vehicle frame of FIG. 10 for a high ride height of the example vehicle of FIG. 1.

[0025] FIG. 13A illustrates the example vehicle frame of FIG. 10 as configured using the example wheel assembly mounts of FIG. 12B for a high ride height of the example vehicle of FIG. 1.

[0026] FIG. 13B illustrates the example vehicle frame of FIG. 10 as configured using the example wheel assembly mounts of FIG. 12A for a low ride height of the example vehicle of FIG. 1.

[0027] FIG. 14 is a flowchart representative of an example method to configure a ride height of a vehicle using the example wheel assembly mounts of FIGS. 10, 11A, 11B, 12A, 12B, 13A and/or 13B.

[0028] FIG. 15 illustrates an example vehicle chassis including example electric motorized wheel assemblies in accordance with the teachings of this disclosure.

[0029] FIG. 16A illustrates an example wheel assembly of FIG. 15 configured for the example vehicle of FIG. 1.

[0030] FIG. 16B illustrates an example wheel assembly of FIG. 15 coupled to the example vehicle frame of FIG. 15.

[0031] FIG. 17 is a flowchart representative of an example method to configure the example wheel assemblies of FIGS. 15, 16A, and/or 16B.

[0032] FIG. 18 is a perspective view of an example vehicle chassis in which the teachings of this disclosure can be implemented.

[0033] FIG. 19 is a perspective view of an example vehicle chassis with different width and length configurations.

[0034] FIG. 20A is a top view of a first configuration of the chassis of FIG. 19.

[0035] FIG. 20B is a top view of a second configuration of the chassis of FIG. 19.

[0036] FIG. 21 is a perspective view of a first alternative vehicle chassis including the adjustable structural members.

[0037] FIG. 22A is a perspective view of an adjustable structural member of FIG. 21.

[0038] FIG. 22B is a perspective view of an alternative adjustable member that can be used with the alternative vehicle chassis of FIG. 21.

[0039] FIG. 23 is a perspective view of a second alternative vehicle chassis including interchangeable chassis portions.

[0040] FIG. 24A is a top view of a first configuration of the chassis of FIG. 23 including a first set of the interchangeable chassis portions.

[0041] FIG. 24B is a top view of a second configuration of the chassis of FIG. 23 including a second set of the interchangeable chassis portions.

[0042] FIG. 25 is a flowchart representative of an example method to assemble the example chassis of FIGS. 19 and 21.

[0043] FIG. 26 is a perspective view of an example vehicle chassis in which the teachings of this disclosure can be implemented.

[0044] FIGS. 27A-27C are perspective views of interchangeable performance packages.

[0045] FIG. 28 is a perspective view of the example vehicle chassis of FIG. 26 and the interchangeable performance packages of FIG. 27A-27C.

[0046] FIG. 29 is a flowchart representative of an example method to assemble the example chassis of FIG. 28 with one of the interchangeable performance packages of FIGS. 27A-27C.

[0047] FIGS. 30A-30C are perspective views of interchangeable subframes with the interchangeable performance packages of FIGS. 27A-27C.

[0048] FIG. 31 is a perspective view of the example vehicle chassis of FIG. 26 and the interchangeable subframes of FIG. 30A-30C.

[0049] FIG. 32 is a flowchart representative of an example method to assemble the example chassis of FIG. 31 with one of the interchangeable subframes of FIG. 30A-30C.

[0050] FIGS. 33A-33C are perspective views of interchangeable chassis portions.

[0051] FIG. 34 is a perspective view of another example vehicle chassis and the interchangeable subframes of FIG. 30A-30C.

[0052] FIG. 35 is a flowchart representative of an example method to assemble the example chassis of FIG. 34 with one of the interchangeable subframes of FIG. 33A-33C.

[0053] The figures are not to scale. Instead, the thickness of the layers or regions may be enlarged in the drawings. In general, the same reference numbers will be used throughout the drawing(s) and accompanying written description to refer to the same or like parts. As used in this patent, stating that any part (e.g., a layer, film, area, region, or plate) is in any way on (e.g., positioned on, located on, disposed on, or formed on, etc.) another part, indicates that the referenced part is either in contact with the other part, or that the referenced part is above the other part with one or more intermediate part(s) located therebetween. Connection references (e.g., attached, coupled, connected, and joined) are to be construed broadly and may include intermediate members between a collection of elements and relative movement between elements unless otherwise indicated. As such, connection references do not necessarily infer that two elements are directly connected and in fixed relation to each other. Stating that any part is in “contact” with another part means that there is no intermediate part between the two parts. Although the figures show layers and regions with clean lines and boundaries, some or all of these lines and/or boundaries may be idealized. In reality, the boundaries and/or lines may be unobservable, blended, and/or irregular.

DETAILED DESCRIPTION

[0054] Descriptors “first,” “second,” “third,” etc. are used herein when identifying multiple elements or components which may be referred to separately. Unless otherwise specified or understood based on their context of use, such descriptors are not intended to impute any meaning of priority, physical order or arrangement in a list, or ordering in time but are merely used as labels for referring to multiple elements or components separately for ease of understanding the disclosed examples. In some examples, the descriptor “first” may be used to refer to an element in the detailed description, while the same element may be referred to in a claim with a different descriptor such as “second” or “third.” In such instances, it should be understood that such descriptors are used merely for ease of referencing multiple elements or components.

[0055] As used herein, the orientation of features is described with reference to a lateral axis, a vertical axis, and a longitudinal axis of the vehicle associated with the fea-

tures. As used herein, the longitudinal axis of the vehicle is parallel to a centerline of the vehicle. The terms “rear” and “front” are used to refer to directions along the longitudinal axis closer to the rear of the vehicle and the front of the vehicle, respectively. As used herein, the vertical axis of the vehicle is perpendicular to the ground on which the vehicle rests. The terms “below” and “above” are used to refer to directions along the vertical axis closer to the ground and away from the ground, respectively. As used herein, the lateral axis of the vehicle is perpendicular to the longitudinal and vertical axes and is generally parallel to the axles of the vehicle. In general, the attached figures are annotated with a set of axes including the lateral axis (Y), the longitudinal axis (X), and the vertical axis (Z). As used herein, the terms “longitudinal,” and “axial” are used interchangeably to refer to directions parallel to the longitudinal axis. As used herein, the terms “lateral” and “horizontal” are used to refer to directions parallel to the lateral axis. As used herein, the term “vertical” and “normal” are used interchangeably to refer to directions parallel to the vertical axis.

[0056] As used herein, the term “width” refers to the dimension of a vehicle along the lateral axis. As used herein, when referring to a vehicle and/or chassis, the term “length” refers to the dimension of a vehicle along the longitudinal axis. As used herein, when referring to a structural member, the term “length” refers to the dimension of the structural member perpendicular to the cross-section of the structural member (e.g., the dimension of a crossmember along the lateral axis, the dimension of a side rail along the longitudinal axis, etc.). As used herein, the term “footprint” refers to the projected area of a vehicle in a plane defined by the lateral and longitudinal axes.

[0057] As used herein, the term “chassis” refers to the structural components of a vehicle, and generally includes the frame of the vehicle and one or more of the suspension system(s), the steering components, the powertrain, the drivetrain, the wheels, the brakes, etc. As used herein, the term “frame” refers to the main structural component of the vehicle to which the other components are coupled. As used herein, the term “crossmember” is used to refer to structural members of the frame that extend laterally. As used herein, the term “side rail” is used to refer to structural members of the frame that extend axially.

[0058] The examples disclosed herein include structural members that are generally depicted as tubes having rectangular cross-sections. However, the structural members described herein can be of any other suitable shape (e.g., circular, ovoid, polygonal, etc.). Additionally, the structural members described herein can be solid or have walls of any suitable thickness.

[0059] In some examples used herein, the term “substantially” is used to describe a relationship between two parts that is within three degrees of the stated relationship (e.g., a substantially colinear relationship is within three degrees of being colinear, a substantially perpendicular relationship is within three degrees of being perpendicular, a substantially parallel relationship is within three degrees of being parallel, etc.).

[0060] Vehicles (e.g., cars, trucks, vans, etc.) typically include a vehicle chassis including a vehicle frame with wheels coupled thereto. In battery-powered electric vehicles, one or more battery packs are positioned on the vehicle frame and are used to power one or more electric motors operatively coupled to the wheels. In some instances,

a ride height of the vehicle is selected based on a type and/or function of the vehicle, where the ride height of the vehicle corresponds to a clearance or distance between the vehicle frame and the ground. In some known vehicles, different vehicle frames are implemented on the vehicles to configure the vehicles for different ride heights. The selection of the ride height for a vehicle includes trade-offs such as, handling, ride quality, and practicality. For example, a higher ride height allows the wheels to absorb larger road displacements (e.g., sudden changes in the road surface) and allows the vehicle to more easily drive on uneven roads without causing significant impacts to the vehicle frame. However, a lower ride height provides a lower center of mass for the vehicle, which improves the handling of the vehicle, particularly at higher speeds. Commonly, multiple vehicle frames are constructed with different structural components and geometries to produce vehicles having various ride heights. While the ride height of a vehicle can be adjusted by making modifications to the vehicle frame, modifications to the vehicle frame to adjust the ride height can be laborious and require numerous additional parts.

[0061] Some examples disclosed herein implement a vehicle chassis that can be configured for two different ride heights. A first example vehicle chassis includes an example reversible vehicle frame, which includes an example central frame (e.g., a base frame) coupled between example end frames having wheels coupled thereto. The central frame is positioned at an offset (e.g., a vertical offset) from the end frames. The reversible vehicle frame is rotatable about an example longitudinal axis between a first position and a second position. The central frame is at a first distance from the ground when the reversible frame is in the first position, and the central frame is at a second distance from the ground when the reversible frame is in the second position, where the first distance is greater than the second distance. Stated differently, the reversible frame in the first position is configured for a high ride height, and the reversible frame in the second position is configured for a low ride height. Advantageously, by providing a reversible frame that is configurable for different ride heights, a number of parts required and/or manufacturing complexity of the vehicle is significantly reduced.

[0062] Another example configurable vehicle chassis disclosed herein includes an example central frame (e.g., a base frame) couplable between first example frame subassemblies and second example frame subassemblies, where each of the first and second frame subassemblies defines a wheel axle. The first frame subassemblies include first bridge portions that are oriented generally upward relative to the wheel axles, and the second frame subassemblies include second bridge portions oriented generally downward relative to the wheel axles. The central frame is at a first distance from the ground when coupled between the first frame subassemblies, and the central frame is at a second distance from the ground when the central frame is coupled between the second frame subassemblies, where the first distance is greater than the second distance. Stated differently, the configurable vehicle chassis is configured for a high ride height when the central frame is coupled between the first frame subassemblies, and the configurable vehicle chassis is configured for a low ride height when the central frame is coupled between the second frame subassemblies.

[0063] Another example configurable vehicle chassis disclosed herein includes example upward and downward

bridge portions (e.g., first and second bridge portions) coupleable between the central frame and subassemblies defining wheel axles, where the central frame and subassemblies are the same for vehicles having different ride height requirements. In examples disclosed herein, the third configurable vehicle chassis is configured for a high ride height when the central frame is coupled to the subassemblies via the upward bridge portions, and the second configurable vehicle chassis is configured for a low ride height when the central frame is to the subassemblies via the downward bridge portions. As such, the example configurable vehicle chassis are configurable for different ride heights by selectively coupling different frame subassemblies and/or bridge portions to the central frame. Advantageously, by enabling parts to be interchangeably implemented across different vehicles having different ride height requirements, a number of the parts required and/or manufacturing complexity of the vehicles is reduced.

[0064] Some examples disclosed herein implement multi-position wheel assembly mounts that can be configured for at least two different ride heights. An example multi-position wheel assembly mount disclosed herein includes a plate including protrusions extending away from a surface of the plate and toward the vehicle frame. In some examples disclosed herein, the protrusions are pins that are positionable in apertures of the vehicle frame, where the apertures may be through holes in rail portions of the vehicle frame. In examples disclosed herein, the protrusions are positionable in the apertures of the frame in a first position to provide a first ride height of the vehicle and a second position to provide a second ride height of the vehicle. In some examples, the first ride height is a high ride height, and the second ride height is a low ride height. Examples disclosed herein do not require additional parts for the frame or body of the vehicle, thereby reducing a number of parts required and/or manufacturing complexity of the vehicles to achieve the desired ride height.

[0065] Different types and models of vehicles (e.g., cars, trucks, vans, etc.) generally include different chassis and different performance requirements. That is, different types and models of vehicles have different engine performance requirements (e.g., different torque requirements, different horsepower requirements, different range requirements, etc.) and different suspension requirements (e.g., suspension stiffness requirements, travel requirements, damping requirements, camber control requirements, etc.). These performance requirements are generally related to different design considerations, including the type/class of the vehicle (e.g., pick-up truck, compact car, van, sedan, etc.), the intended role of the vehicle (e.g., everyday driving, sport driving, long-distance transport, short-distance transport, law enforcement, off-road vehicles, etc.), the weight of the vehicle, the size of the vehicle, and/or consumer preferences. These variations in design requirements make reusing parts between the chassis of different vehicle models impractical.

[0066] Some examples disclosed herein implement electric motorized wheel assemblies which can be configured for different ride and/or performance needs. The example wheel assemblies disclosed herein includes swappable or interchangeable components that include an in-wheel electric motor, suspension assembly, and a suspension mounting frame (frame mounting interface). In examples disclosed herein, the components of the wheel assemblies that are connected to the vehicle frame via the frame mounting

interface to allow for geometric freedom between the vehicle frame and the components without the need for traditional axle connections from the center containing the electric motor. In examples disclosed herein, the wheel assemblies also include mounting points for the suspension links and dampers. Advantageously, by providing an electric motorized wheel assembly that includes interchangeable parts that have common attachment and packaging strategies, ride and performance needs can be met for the vehicle while reducing the number of parts and complexity of manufacturing.

[0067] Examples disclosed herein provide vehicle chassis with common features to receive interchangeable performance packages that enable a configurable vehicle chassis to be utilized with different vehicle models with minimal configuration changes. An example vehicle chassis disclosed herein includes cavities with features that enable different performance packages to be coupled thereto. By interchanging the interchangeable performance packages, the engine properties and suspension properties of the example vehicle chassis can be changed. Another example vehicle chassis disclosed herein includes features that enable different subframes to be coupled thereto. In some such examples disclosed herein, the different subframes include different performance packages. By interchanging the interchangeable subframes, the engine properties and suspension properties of the example vehicle chassis can be changed. Another example vehicle chassis disclosed herein includes a common battery platform, an interchangeable front chassis portion, and an interchangeable rear chassis portion. In some such examples disclosed herein, the different chassis portions include different performance packages. By interchanging the interchangeable subframes, the engine properties and suspension properties of the example vehicle chassis can be changed.

[0068] Different models of vehicles (e.g., cars, trucks, vans, etc.) generally include differently-sized chassis with differently-sized components. That is, the wheelbase and the track width of a vehicle are generally driven by different design considerations, including the type/class of the vehicle (e.g., pick-up truck, compact car, van, sedan, etc.), the desired spaciousness of the passenger cabin, desired storage space, and/or packaging requirements for vehicle components. These variations in design requirements make reusing parts between the chassis of different vehicle models impractical.

[0069] Examples disclosed herein provide vehicle chassis with scalable widths and lengths that enable a configurable vehicle chassis to be utilized with different vehicle models with minimal configuration changes. An example scalable vehicle chassis disclosed herein includes common chassis portions and interchangeable structural members. By interchanging the interchangeable structural members, the width and length of the example scalable vehicle chassis can be changed. Another example scalable chassis disclosed herein includes common chassis portions and adjustable structural members. By adjusting the length of the adjustable structural members, the width and length of the example scalable vehicle chassis can be changed. Another example scalable vehicle chassis disclosed herein includes a common battery platform, an interchangeable front chassis portion, and an interchangeable rear chassis portion. By interchanging the interchangeable chassis portions, the width and length of the example scalable vehicle chassis can be changed.

[0070] While example vehicle chassis, frames, and modules described are generally described as distinct examples, the teachings of this disclosure can be combined, rearranged, and omitted in any suitable manner. As such, a vehicle and/or vehicle chassis implemented in accordance with the teachings of this disclosure can include some or all of the features described herein.

[0071] FIG. 1 is a perspective view of a vehicle 100. The vehicle 100 is a motorized wheel-driven vehicle. In the illustrated example of FIG. 1, the vehicle 100 is a pick-up truck. In other examples, the vehicle 100 can be any type of wheeled vehicle (e.g., a sedan, a coupe, a van, a pick-up truck, a sports utility vehicle, an all-terrain vehicle (ATV), farming equipment, etc.). In some examples, the vehicle 100 is an EV. In such examples, the vehicle 100 includes one or more electric motors and one or more battery arrays. In other examples, the vehicle 100 includes an internal combustion engine (e.g., a non-electrified vehicle, a partially electrified vehicle, etc.).

[0072] FIG. 2A illustrates an example reversible frame 200 (e.g., a vehicle frame, a reversible vehicle frame, a kickflip reversible frame, a chassis) in accordance with teachings of this disclosure. In the illustrated example of FIG. 2A, the reversible frame 200 is configured for a low ride height of the example vehicle 100 of FIG. 1. The example reversible frame 200 includes an example central frame (e.g., a base frame) 202 coupled between example first and second end frames 204, 206. The example of FIG. 2A further includes example wheels 208A, 208B, 208C, 208D coupled to the respective first and second end frames 204, 206. Example battery packs 210 are positioned in the central frame 202. While thirteen of the battery packs 210 are shown in this example, a different number of the battery packs 210 may be used instead. In this example, the first end frame 204 is a front frame proximate a front end of the vehicle 100, and the second end frame 206 is a rear frame proximate a rear end of the vehicle 100. In other examples, the first end frame 204 is proximate the rear end of the vehicle 100, and the second end frame 206 is proximate the front end of the vehicle 100.

[0073] In the illustrated example of FIG. 2A, the reversible frame 200 is in a first position. When the reversible frame 200 is in the first position, the central frame 202 is at an example first distance 212 from the ground and the first and second end frames 204, 206 are at an example second distance 214 from the ground. In this example, the first and second end frames 204, 206 are positioned at an offset (e.g., a vertical offset) relative to the central frame 202, where the offset is in an example vertical direction 216. As such, when the reversible frame 200 is in the first position, the second distance 214 between the ground and the first and second end frames 204, 206 is greater than the first distance 212 between the ground and the central frame 202. In this example, when the reversible frame 200 in the first position is implemented in the vehicle 100, the vehicle 100 is configured for a first ride height (e.g., a low ride height). In some examples, a first type of vehicle body (e.g., a van body) is coupled to the reversible frame 200 in the first position to produce a first type of vehicle (e.g., a van).

[0074] Turning to FIG. 2B, the example reversible frame 200 of FIG. 2A is configured for a high ride height of the example vehicle 100 of FIG. 1. In the illustrated example of FIG. 2B, the reversible frame 200 is in a second position. When the reversible frame 200 is in the second position, the

central frame 202 is at an example third distance 218 from the ground and the first and second end frames 204, 206 are at an example fourth distance 219 from the ground. In this example, the third distance 218 is greater than both the fourth distance 219 and the first distance 212 of FIG. 2A. As such, when the reversible frame 200 in the second position is implemented in the vehicle 100, the vehicle 100 is configured for a second ride height (e.g., a high ride height), where the second ride height is greater than the first ride height. In some examples, a second type of vehicle body (e.g., a truck body) is coupled to the reversible frame 200 in the second position to produce a second type of vehicle (e.g., a truck), where the second type of vehicle is different from the first type of vehicle.

[0075] In examples disclosed herein, the reversible frame 200 can be selectively configured for the first ride height or the second ride height by rotating about an example longitudinal axis 220. For example, the reversible frame 200 can move between the first position shown in FIG. 2A and the second position shown in FIG. 2B by rotating 180 degrees about the longitudinal axis 220.

[0076] FIG. 3 illustrates the example reversible frame 200 of FIGS. 2A and/or 2B rotated about the example longitudinal axis 220 between the first and second positions. In the illustrated example of FIG. 3, an example motor (e.g., an electric motor) 302 and example first and second suspension systems 304A, 304B are coupleable to the reversible frame 200 in both the first and second positions. In some examples, the first and second suspension systems 304A, 304B are coupled to the first end frame 204 and operatively coupled to corresponding ones of the first and second wheels 208A, 208B. Additionally or alternatively, the first and second suspension systems 304A, 304B can be coupled to the second end frame 206 and operatively coupled to corresponding ones of the third and fourth wheels 208C, 208D. In some examples, each of the first and second end frames 204, 206 includes mirrored attachment points positioned thereon. In such examples, the mirrored attachment points enable the first and second suspension systems 304A, 304B to be coupled to at least one of the first or second end frames 204, 206 in a same orientation when the reversible frame 200 is in either one of the first or second positions.

[0077] In the illustrated example of FIG. 3, the motor 302 is coupled to the first end frame 204 and operatively coupled to the first and second wheels 208A, 208B. In this example, the motor 302 is powered by the battery packs 210, and operation of the motor 302 causes corresponding rotation of the first and second wheels 208A, 208B. Additionally or alternatively, the motor 302 can be coupled to the second end frame 206 and operatively coupled to the third and fourth wheels 208C, 208D, such that operation of the motor 302 causes corresponding rotation of the third and fourth wheels 208C, 208D. In some examples, multiple ones of the motor 302 are coupled to the reversible frame 200 to operate the wheels 208A, 208B, 208C, 208D.

[0078] In some examples, the motor 302 is coupled to at least one of the first or second end frames 204, 206 in a same orientation when the reversible frame 200 is in either one of the first or second positions. In other examples, the motor 302 is in a first orientation when the reversible frame 200 is in the first position, and the motor 302 is in a second orientation different from the first orientation when the reversible frame 200 is in the second position. In some such examples, the motor 302 is configured to rotate in a first

direction when the reversible frame 200 is in the first position, and the motor 302 is configured to rotate in a second direction when the reversible frame 200 is in the second position, where the second direction is opposite the first direction.

[0079] FIG. 4 is a flowchart representative of an example method 400 to produce the example reversible frame 200 of FIGS. 2A, 2B, and/or 3. The example method 400 begins at block 402, at which a ride height of the vehicle 100 of FIG. 1 is selected. For example, in response to determining that the vehicle 100 is to have a first ride height (e.g., block 402 returns a result of YES), the process proceeds to block 404. Alternatively, in response to determining that the vehicle 100 does not have the first ride height (e.g., block 402 returns a result of NO), the process proceeds to block 406.

[0080] At block 404, the example reversible frame 200 is rotated about the longitudinal axis 220 of FIGS. 2 and/or 3 to a first position. For example, the reversible frame 200 is rotated to the first position shown in FIG. 2A, in which the reversible frame 200 is configured for the first ride height.

[0081] At block 406, the example reversible frame 200 is rotated about the longitudinal axis 220 to a second position. For example, the reversible frame 200 is rotated to the second position shown in FIG. 2B, in which the reversible frame 200 is configured for the second ride height greater than the first ride height.

[0082] At block 408, a first type of vehicle body is coupled to the reversible frame 200. For example, the first type of vehicle body is coupled to the reversible frame 200 when the reversible frame 200 is in the first position. In some examples, the first type of vehicle body is a van body.

[0083] At block 410, a second type of vehicle body is coupled to the reversible frame 200. For example, the second type of vehicle body is coupled to the reversible frame 200 when the reversible frame 200 is in the second position. In this example, the second type of vehicle body (e.g., a truck body) is different from the first type of vehicle body.

[0084] FIG. 5 illustrates a first example configurable vehicle chassis 500 in accordance with teachings of this disclosure. In the illustrated example of FIG. 5, the first configurable vehicle chassis 500 includes an example central frame (e.g., a base frame) 502, and example battery packs 504 positioned in the central frame 502. While sixteen of the battery packs 504 are shown in this example, a different number of the battery packs 504 may be used instead. In this example, first and second example frame subassemblies (e.g., first and second subassemblies) 506A, 506B can be coupled to the central frame 502 to configure the first configurable vehicle chassis 500 for a high ride height, and third and fourth example frame subassemblies (e.g., third and fourth subassemblies) 506C, 506D can be coupled to the central frame 502 to configure the configurable central frame 502 for a low ride height. In this example, the first and second frame subassemblies 506A, 506B are substantially the same, and the third and fourth frame subassemblies 506C, 506D are substantially the same. As such, each of the frame subassemblies 506A, 506B, 506C, 506D can be interchangeably coupled to an example front end 507A and/or to an example rear end 507B of the central frame 502.

[0085] In the illustrated example of FIG. 5, each of the frame subassemblies 506A, 506B, 506C, 506D defines corresponding example wheel axles 508A, 508B, 508C, 508D having example wheels 510 coupled thereto. In this

example, example motors (e.g., electric motors) 512 are coupled on the frame subassemblies 506A, 506B, 506C, 506D and operatively coupled to corresponding ones of the wheels 510. In some examples, operation of the motors 512 causes rotation of the wheel axles 508A, 508B, 508C, 508D and/or the corresponding ones of the wheels 510. In this example, the motors 512 are electrically coupled to and/or otherwise powered by the battery packs 504.

[0086] In the illustrated example of FIG. 5, the first and second frame subassemblies 506A, 506B include example first bridge portions (e.g., upward bridge portions, upwardly angled bridge portions) 514, and the third and fourth frame subassemblies 506C, 506D include example second bridge portions (e.g., downward bridge portions, downwardly angled bridge portions) 516. The first and second bridge portions 514, 516 can be fixed (e.g., bolted, riveted, welded, etc.) to the central frame 502 to couple the respective frame subassemblies 506A, 506B, 506C, 506D to the central frame 502. In this example, the first bridge portions 514 are oriented generally upward relative to the first and second wheel axles 508A, 508B, and the second bridge portions 516 are oriented generally downward relative to the third and fourth wheel axles 508C, 508D. As such, when the first and second frame subassemblies 506A, 506B are coupled to the central frame 502, the central frame 502 is at a first distance from the ground. Further, when the third and fourth frame subassemblies 506C, 506D are coupled to the central frame 502, the central frame 502 is at a second distance from the ground, where the first distance is greater than the second distance.

[0087] FIG. 6A illustrates the first example configurable vehicle chassis 500 of FIG. 5 configured for a high ride height of the example vehicle 100 of FIG. 1. In the illustrated example of FIG. 6A, the first and second frame subassemblies 506A, 506B are coupled to the central frame 502 via the first bridge portions 514. In this example, the central frame 502 is at an example first distance 602 from the ground, and the first and second wheel axles 508A, 508B of the respective first and second frame subassemblies 506A, 506B are at an example second distance 604 from the ground. In this example, the central frame 502 is positioned at a first offset (e.g., a first vertical offset) relative to the first and second wheel axles 508A, 508B, where the first offset is in an example upward direction 606. As such, the first distance 602 between the ground and the central frame 502 is greater than the second distance 604 between the ground and the first and second wheel axles 508A, 508B. In this example, when the first configurable vehicle chassis 500 of the illustrated example of FIG. 6A is implemented in the vehicle 100, the vehicle 100 is configured for a first ride height (e.g., a high ride height). In some examples, a first type of vehicle body (e.g., a truck body) is coupled to the first configurable vehicle chassis 500 to produce a first type of vehicle (e.g., a truck).

[0088] Turning to FIG. 6B, the first example configurable vehicle chassis 500 of FIG. 5 is configured for a low ride height of the example vehicle 100 of FIG. 1. In the illustrated example of FIG. 6B, the third and fourth frame subassemblies 506C, 506D are coupled to the central frame 502 via the second bridge portions 516. In this example, the central frame 502 is at an example third distance 608 from the ground, and the third and fourth wheel axles 508C, 508D of the respective third and fourth frame subassemblies 506C, 506D are at an example fourth distance 610 from the ground.

In this example, the central frame **502** is positioned at a second offset (e.g., a second vertical offset) relative to the third and fourth wheel axles **508C**, **508D**, where the second offset is in an example downward direction **612**. As such, the third distance **608** between the ground and the central frame **502** is less than the fourth distance **610** between the ground and the first and second wheel axles **508A**, **508B** and less than the first distance **602** of FIG. 6A. In this example, when the first configurable vehicle chassis **500** of the illustrated example of FIG. 6B is implemented in the vehicle **100**, the vehicle **100** is configured for a second ride height (e.g., a low ride height) less than the first ride height. In some examples, a second type of vehicle body (e.g., a car body) is coupled to the first configurable vehicle chassis **500** to produce a second type of vehicle (e.g., a car). In examples disclosed herein, the first configurable vehicle chassis **500** can be selectively configured for the first ride height or the second ride height based on a selection of the frame subassemblies **506A**, **506B**, **506C**, **506D** coupled to the central frame **502**.

[0089] FIG. 7 illustrates a second example configurable vehicle chassis **700** in accordance with teachings of this disclosure. In the illustrated example of FIG. 7, the second configurable vehicle chassis **700** includes the central frame **502** couplable to example first and second subassemblies **702A**, **702B**, where the first and second subassemblies **702A**, **702B** define example axles (e.g., wheel axles) **704A**, **704B** having example wheels **706** coupled thereto. In this example, the example motors **512** are mounted on the first and second subassemblies **702A**, **702B** and operatively coupled to corresponding ones of the wheels **706**. In some examples, operation of the motors **512** causes rotation of the axles **704A**, **704B** and/or the corresponding ones of the wheels **706**. In this example, the motors **512** are electrically coupled to and/or otherwise powered by the battery packs **504** positioned on the central frame **502**. In this example, the first and second subassemblies **702A**, **702B** are couplable to the central frame **502** via example upwardly angled or upward bridge portions **708A**, **708B** and/or via example downwardly angled or downward bridge portions **710A**, **710B**.

[0090] In the illustrated example of FIG. 7, the second configurable vehicle chassis **700** is configured for a high ride height when the first and second subassemblies **702A**, **702B** are coupled to the central frame **502** via the upward bridge portions **708A**, **708B**, and the second configurable vehicle chassis **700** is configured for a low ride height when the first and second subassemblies **702A**, **702B** are coupled to the central frame **502** via the downward bridge portions **710A**, **710B**. In this example, the upward bridge portions **708A**, **708B** are substantially the same, and the downward bridge portions **710A**, **710B** are substantially the same. As such, each of the upward and downward bridge portions **708A**, **708B**, **710A**, **710B** can be interchangeably coupled to the front end **507A** and/or to the rear end **507B** of the central frame **502**. Each of the upward and downward bridge portions **708A**, **708B**, **710A**, **710B** can be fixed (e.g., bolted, riveted, welded, etc.) between the central frame **502** and one of the first or second subassemblies **702A**, **702B**. In this example, the upward bridge portions **708A**, **708B** are oriented generally upward relative to the axles **704A**, **704B**, and the downward bridge portions **710A**, **710B** are oriented generally downward relative to the axles **704A**, **704B**.

[0091] FIG. 8A illustrates the second example configurable vehicle chassis **700** of FIG. 7 configured for a high ride

height of the example vehicle **100** of FIG. 1. In the illustrated example of FIG. 8A, the first and second subassemblies **702A**, **702B** are coupled to the central frame **502** via the upward bridge portions **708A**, **708B**. In this example, the central frame **502** is at an example first height **802** relative to the ground, and the axles **704A**, **704B** of the respective first and second subassemblies **702A**, **702B** are at an example second height **804** relative to the ground, where the first height **802** is greater than the second height **804**. In this example, when the second configurable vehicle chassis **700** of the illustrated example of FIG. 8A is implemented in the vehicle **100**, the vehicle **100** is configured for a first ride height (e.g., a high ride height). In some examples, a first type of vehicle body (e.g., a truck body) is coupled to the second configurable vehicle chassis **700** to produce a first type of vehicle (e.g., a truck).

[0092] Turning to FIG. 8B, the second example configurable vehicle chassis **700** of FIGS. 7 and/or 8A is shown configured for a low ride height of the example vehicle **100** of FIG. 1. In the illustrated example of FIG. 8B, the first and second subassemblies **702A**, **702B** are coupled to the central frame **502** via the downward bridge portions **710A**, **710B**. In this example, the central frame **502** is at an example third height **806** relative to the ground, where the third height **806** is less than the second height **804** of the axles **704A**, **704B** and, thus, is less than the first height **802** of the illustrated example of FIG. 8A. In this example, when the second configurable vehicle chassis **700** of the illustrated example of FIG. 8B is implemented in the vehicle **100**, the vehicle **100** is configured for a second ride height (e.g., a low ride height) less than the first ride height. In some examples, a second type of vehicle body (e.g., a car body) is coupled to the second configurable vehicle chassis **700** to produce a second type of vehicle (e.g., a car).

[0093] In examples disclosed herein, the second configurable vehicle chassis **700** can be selectively configured for the first ride height or the second ride height based on a selection of the upward and downward bridge portions **708A**, **708B**, **710A**, **710B** coupled to the central frame **502**. In the illustrated example of FIG. 8A, the first height **802** can be adjusted by modifying an example first angle **810** of the upward bridge portions **708A**, **708B** relative to the central frame **502**. Similarly, in the illustrated example of FIG. 8B, the second height **806** can be adjusted by modifying an example second angle **812** of the downward bridge portions **710A**, **710B** relative to the central frame **502**. In some examples, the first and second angles **810**, **812** are the same (e.g., less than 30 degrees, less than 10 degrees, etc.). In other examples, the first and second angles **810**, **812** can be different. In some examples, one or more additional bridge portions (e.g., third bridge portions, fourth bridge portions, etc.) are couplable between the first and second subassemblies **702A**, **702B** and the central frame **502**. In some examples, each of the one or more additional bridge portions can be configured for a different ride height.

[0094] FIG. 9 is a flowchart representative of an example method **900** to produce the first example configurable vehicle chassis **500** of FIGS. 5, 6A, and/or 6B and/or the second example configurable vehicle chassis **700** of FIGS. 7, 8A, and/or 8B. The example method **900** begins at block **902**, at which a ride height of the vehicle **100** of FIG. 1 is selected. For example, in response to determining that the vehicle **100** is to have a first ride height (e.g., block **902** returns a result of YES), the process proceeds to block **904**.

Alternatively, in response to determining that the vehicle **100** is not to have the first ride height and/or is to have a second ride height less than the first ride height (e.g., block **902** returns a result of NO), the process proceeds to block **906**.

[**0095**] At block **904**, the example first bridge portions **514** of FIGS. **5**, **6A**, and/or **6B** and/or the example upward bridge portions **708A**, **708B** of FIGS. **7**, **8A**, and/or **8B** are coupled to the example central frame **502**. For example, the first bridge portions **514** of the first and second frame subassemblies **506A**, **506B** are coupled to (e.g., via one or more fasteners, chemical adhesive, a press-fit, one or more welds, etc.) or otherwise fixed to the central frame **502** to produce the first example configurable vehicle chassis **500**, and the upward bridge portions **708A**, **708B** are coupled to (e.g., via one or more fasteners, chemical adhesive, a press-fit, one or more welds, etc.) or otherwise fixed to the first and second subassemblies **702A**, **702B** and to the central frame **502** to produce the second configurable vehicle chassis **700**. In such examples, the vehicle **100** is configured for the first ride height.

[**0096**] At block **906**, the example second bridge portions **516** of FIGS. **5**, **6A**, and/or **6B** and/or the example downward bridge portions **710A**, **718B** of FIGS. **7**, **8A**, and/or **8B** are coupled to the example central frame **502**. For example, the second bridge portions **516** of the third and fourth frame subassemblies **506C**, **506D** are coupled to (e.g., via one or more fasteners, chemical adhesive, a press-fit, one or more welds, etc.) or otherwise fixed to the central frame **502** to produce the first example configurable vehicle chassis **500**, and the downward bridge portions **710A**, **710B** are coupled to (e.g., via one or more fasteners, chemical adhesive, a press-fit, one or more welds, etc.) or otherwise fixed to the first and second subassemblies **702A**, **702B** and to the central frame **502** to produce the second configurable vehicle chassis **700**. In such examples, the vehicle **100** is configured for the second ride height less than the first ride height.

[**0097**] At block **908**, a first type of vehicle body is coupled to the central frame **502**. For example, the first type of vehicle body is coupled to the central frame **502** when the vehicle **100** is configured for the first ride height. In some examples, the first type of vehicle body is a car body.

[**0098**] At block **910**, a second type of vehicle body is coupled to the central frame **502**. For example, the second type of vehicle body is coupled to the central frame **502** when the vehicle **100** is configured for the second ride height. In this example, the second type of vehicle body (e.g., a truck body) is different from the first type of vehicle body.

[**0099**] FIG. **10** illustrates example wheel assembly mounts **1010A**, **1010B**, **1010C**, **1010D** in accordance with the teachings of this disclosure. The example vehicle chassis **1000** of FIG. **10** includes an example vehicle frame **1002**, example battery packs **1004**, an example rail portion **1006** of the vehicle frame **1002**, example wheel assemblies **1008A**, **1008B**, **1008C**, **1008D**, the example wheel assembly mounts **1010A**, **1010B**, **1010C**, **1010D**, and example apertures **1012A**, **1012B**. In the illustrated example of FIG. **10**, the wheel assembly mounts **1010A**, **1010B**, **1010C**, **1010D** are coupled to the wheel assemblies **1008A**, **1008B**, **1008C**, **1008D**, respectively. The wheel assemblies **1008A**, **1008B**, **1008C**, **1008D** include the wheels, brakes, suspension, wheel bearings, etc. The wheel assembly mounts **1010A**,

1010B, **1010C**, **1010D** are coupled to the vehicle frame **1002** via the apertures (e.g., the example apertures **1012A**, **1012B**) included in the rail portions (e.g., the example rail portion **1006**) of the vehicle frame **1002**. For example, the wheel assembly mount **1010A** is positioned in the apertures **1012A**, **1012B** included in the rail portion **1006** of the vehicle frame **1002**. Each of the wheel assembly mounts **1010A**, **1010B**, **1010C**, **1010D** is positionable in any of the wheel assembly locations of the vehicle frame **1002** (e.g., rail portions of the vehicle frame **1002** that include apertures). In the illustrated example, the wheel assembly mounts **1010A**, **1010B**, **1010C**, **1010D** are positionable in the wheel assembly locations of the vehicle frame **1002** to raise and lower the ride height of the vehicle **100** of FIG. **1**. For example, the wheel assembly mount **1010A** can be positioned in a first position in the apertures **1012A**, **1012B** to raise the ride height and in a second position in the apertures **1012A**, **1012B** to lower the ride height. The wheel assembly mount **1010A** is described in further detail below in connection with FIGS. **11A** and **11B**.

[**0100**] FIG. **11A** illustrates the example wheel assembly mount **1010A** of FIG. **10** configured for a low ride height (shown in solid lines) and a high ride height (shown in dashed lines) of the example vehicle **100** of FIG. **1**. The wheel assembly mount **1010A** of FIG. **11A** includes an example plate **1102**, an example first protrusion **1104**, an example second protrusion **1106**, an example first position **1108** corresponding to the low ride height, and an example second position **1110** corresponding to the high ride height. In the illustrated example, the plate **1102** has a rectangular shape. However, the plate **1102** may be any other shape suitable for attaching/coupling to the example vehicle frame **1002** of FIG. **10**. The plate **1102** includes the first protrusion **1104** and the second protrusion **1106**. The first protrusion **1104** and the second protrusion **1106** extend away from a surface **1107** of the plate **1102** and toward the vehicle frame **1002**. In the illustrated example, the first protrusion **1104** and the second protrusion **1106** are pins that are cylindrically shaped. In some examples, the first protrusion **1104** and the second protrusion **1106** are shaped to fit in apertures included in the vehicle frame **1002**. However, in other examples, the plate **1102** may include apertures and the vehicle frame **1002** may include the protrusions (e.g., the first protrusion **1104** and the second protrusion **1106**).

[**0101**] In the illustrated example of FIG. **11A**, the wheel assembly mount **1010A** can be positioned in the first position **1108** or the second position **1110**. The first position **1108** provides a first ride height of the vehicle frame **1002** and the second position **1110** provides a second ride height of the vehicle frame **1002**. In the illustrated example, the first ride height is less than the second ride height. In other words, the first position **1108** provides a low ride height and the second position **1110** provides a high ride height. In the illustrated example, the first position **1108** positions a longitudinal axis **1112** of the wheel assembly mount **1010A** horizontally and the second position **1110** positions the longitudinal axis **1112** of the wheel assembly mount **1010A** vertically. In the first position **1108**, the first protrusion **1104** and the second protrusion **1106** are aligned along a longitudinal axis of the vehicle frame (e.g., horizontally aligned). In the second position **1110**, the first protrusion **1104** and the second protrusion **1106** are vertically aligned where the first protrusion **1104** is positioned higher than the second protrusion **1106**.

[0102] FIG. 11B illustrates the example wheel assembly mount **1010A** of FIG. 10 coupled to the example rail portion **1006** of the example vehicle frame **1002** of FIG. 10 for a low ride height of the example vehicle **100** of FIG. 1. In the illustrated example of FIG. 11B, the wheel assembly mount **1010A** is positioned in the first position **1108** for a low ride height. The illustrated example of FIG. 11B further includes the example apertures **1012A**, **1012B**. The apertures **1012A**, **1012B** are adjacent to the wheel assembly location on the vehicle frame **1002** (e.g., on the rail portion **1006**). In the illustrated example, the apertures **1012A**, **1012B** are through holes in the rail portion **1006**. However, in other examples, the apertures **1012A**, **1012B** may be dead-ended openings in the rail portion **1006**. In the illustrated example, the first protrusion **1104** and the second protrusion **1106** are inserted in the corresponding apertures **1012A**, **1012B**. The wheel assembly mount **1010A** (coupled with the wheel assembly **1008A**) is coupled to the rail portion **1006** via the first protrusion **1104**, the second protrusion **1106**, and the apertures **1012A**, **1012B** in the first position **1108** to provide a low ride height for the vehicle **100**. In some examples, the first protrusion **1104** and the second protrusion **1106** are inserted in the apertures **1012A**, **1012B** and the protrusions **1104**, **1106** are welded to the rail portion **1006** to couple the wheel assembly mount **1010A** to the rail portion **1006**. In the illustrated examples of FIGS. 11A and 11B, the wheel assembly mount **1010A** is illustrated as including two protrusions (e.g., the first protrusion **1104** and the second protrusion **1106**) that are coupled to two corresponding apertures (e.g., the apertures **1012A**, **1012B**). However, the wheel assembly mount **1010A** may include any number of protrusions and the rail portion **1006** of the vehicle frame **1002** may include any number of corresponding apertures. In some examples, the wheel assembly mount **1010A** may be positioned in more than two positions related to the number of protrusions and corresponding apertures included in the rail portion **1006** of the vehicle frame **1002**. In such examples, the wheel assembly mount **1010A** may be positioned for two or more different ride heights. For example, the wheel assembly mount **1010A** may be positioned in three different positions using the three protrusions to achieve a low ride height, a middle ride height, and a high ride height. In some examples, the rail portion **1006** of the vehicle frame **1002** contains sufficient apertures to engage all protrusions in all positions (e.g., the number of apertures is equal to the number of protrusions multiplied by the number of positions ($A=Pr*Po$), where A is the number of apertures, Pr is the number of protrusions, and Po is the number of positions). However, in some examples, the rail portion **1006** of the vehicle frame **1002** does not have the number of apertures equal to the number of protrusions multiplied by the number of positions, and apertures may be reused in all or some positions (e.g., low ride height, middle ride height, high ride height, etc.).

[0103] FIG. 11C illustrates an example alternative wheel assembly mount **1116** and alternative rail portion **1118** of the frame **1002** for an adjustable ride height of the example vehicle **100** of FIG. 1. FIGS. 11A and 11B illustrate the wheel assembly mount **1010A** as including the plate **1102** with discrete protrusions (e.g., first protrusion **1104** and the second protrusion **1106**) coupled to discrete apertures (e.g., apertures **1012A**, **1012B**). The alternative wheel assembly mount **1116** of FIG. 11C includes an example plate **1120** and example mount through hole groups **1122A**, **1122B**, and the

example alternative rail portion **1118** of FIG. 11C includes example frame through hole groups **1124A**, **1124B**, **1124C**. The plate **1120** includes the mount through hole groups **1122A**, **1122B**, which are each illustrated as three through holes positioned near each other. However, the mount through hole groups **1122A**, **1122B** can include any number of through holes and be positioned in any appropriate pattern. Although the plate **1120** of the alternative wheel assembly mount **1116** is illustrated as including two through hole groups (e.g., the mount through hole groups **1122A**, **1122B**), the plate **1120** can include any number of through hole groups. In the illustrated example, the alternative rail portion **1118** includes the frame through hole groups **1124A**, **1124B**, **1124C**, which are each illustrated as three through holes positioned near each other. However, the frame through hole groups **1124A**, **1124B**, **1124C** can include any number of through holes and be positioned in any appropriate pattern. Although the alternative rail portion **1118** is illustrated as including three through hole groups (e.g., the frame through hole groups **1124A**, **1124B**, **1124C**), alternative rail portion **1118** can include any number of through hole groups.

[0104] In the illustrated example of FIG. 11C, the alternative wheel assembly mount **1116** is coupled to the alternative rail portion **1118** via the mount through hole groups **1122A**, **1122B** and the frame through hole groups **1124A**, **1124B**, **1124C**. In the illustrated example, at least one of the mount through hole groups **1122A**, **1122B** can be aligned with any one of the corresponding frame through hole groups **1124A**, **1124B**, **1124C** to provide different ride heights for the vehicle **100**. For example, the mount through hole groups **1122A**, **1122B** can be aligned with the frame through hole groups **1124A**, **1124C** to provide a first ride height for the vehicle **100**, and the mount through hole groups **1122A**, **1122B** can be aligned with the frame through hole groups **1124A**, **1124B** to provide a second ride height for the vehicle **100**. In some examples, once the desired mount through hole groups **1122A**, **1122B** are aligned with the desired frame through hole groups **1124A**, **1124B**, **1124C**, the plate **1120** of the alternative wheel assembly mount **1116** and the alternative rail portion **1118** are coupled via mechanical, non-permanent attachment methods (e.g., bolts, fasteners, etc.). In the illustrated examples of FIGS. 11A, 11B, and 11C, the connections between the wheel assembly mounts (e.g., the wheel assembly mount **1010A** and the alternative wheel assembly mount **1116**) and the rail portions (e.g., the rail portion **1006** and the alternative rail portion **1118**) of the frame **1002** are independent of axle connections from a motor in the wheel assembly (e.g., the wheel assembly **1008A**) to a hub of the vehicle **100**.

[0105] FIG. 12A illustrates example wheel assembly mounts coupled to the example vehicle frame **1002** of FIG. 10 for a low ride height of the example vehicle **100** of FIG. 1. The illustrated example of FIG. 12A includes the example wheel assembly mount **1010A** of FIGS. 10, 11A, and 11B and the example wheel assembly mount **1010C** of FIG. 10 in the example first position **1108** for a low ride height. The illustrated example of FIG. 12A includes the example wheel assembly **1008A** and the example wheel assembly **1008C** coupled to the wheel assembly mount **1010A** and the wheel assembly mount **1010C**, respectively. In the illustrated example, the wheel assembly mount **1010A** and the wheel assembly mount **1010C** are coupled to the vehicle frame **1002** via apertures. For example, the first protrusion **1104**

and the second protrusion **1106** of the wheel assembly mount **1010A** are inserted through the apertures **1012A**, **1012B**, respectively, and the first protrusion **1104** and the second protrusion **1106** are welded to the apertures **1012A**, **1012B**. In FIG. **12A**, the wheel assembly mount **1010C** also includes protrusions inserted in corresponding apertures, however these protrusions and apertures are not illustrated in the perspective view of FIG. **12A**. In the illustrated example, the first protrusion **1104** and the second protrusion **1106** lie along a first axis that is substantially parallel to a longitudinal axis of the vehicle frame **1002**. The first protrusion **1104** and the second protrusion **1106** extend toward the vehicle frame **1002** and are positioned in the apertures **1012A**, **1012B** in the first position **1108** to provide a first ride height (e.g., low ride height) of the vehicle frame **1002**.

[0106] FIG. **12B** illustrates example wheel assembly mounts coupled to the example vehicle frame **1002** of FIG. **10** for a high ride height of the example vehicle **100** of FIG. **1**. The illustrated example of FIG. **12B** includes the example wheel assembly mount **1010A** and the example wheel assembly mount **1010C** in the example second position **1110** for a high ride height. The illustrated example of FIG. **12B** includes the example wheel assembly **1008A** and the example wheel assembly **1008C** coupled to the wheel assembly mount **1010A** and the wheel assembly mount **1010C**, respectively. In the illustrated example, the wheel assembly mount **1010A** and the wheel assembly mount **1010C** are coupled to the vehicle frame **1002** via apertures. For example, the first protrusion **1104** of the wheel assembly mount **1010A** is inserted through the aperture **1012B**, and the first protrusion **1104** and the aperture **1012B** are welded together to couple the wheel assembly mount **1010A** to the rail portion **1006** of the vehicle frame **1002**.

[0107] In the illustrated example, the first protrusion **1104** and the second protrusion **1106** (not visible in the perspective view of FIG. **12B**) lie along a second axis that is substantially perpendicular to a longitudinal axis of the vehicle frame **1002**. The first protrusion **1104** and the second protrusion **1106** extend toward the vehicle frame **1002**, and the first protrusion **1104** is positioned in the aperture **1012B** (the aperture **1012A** is left empty) in the second position **1110** to provide a second ride height (e.g., high ride height) of the vehicle frame **1002**. In the illustrated example, the first protrusion **1104** and the aperture **1012B** are coupled in the second position **1110** to prevent rotation of the wheel assembly mount **1010A**. However, the vehicle frame **1002** can include any number of apertures to be used to couple the wheel assembly mount **1010A** to the vehicle frame **1002** in the second position **1110**. For example, the vehicle frame **1002** can include an additional aperture that is aligned with a longitudinal axis of the aperture **1012B**, and the second protrusion **1106** can be positioned in the additional aperture in the second position **1110**. In FIG. **12B**, the wheel assembly mount **1010C** also includes protrusions where one protrusion is inserted in a corresponding aperture (leaving the aperture **1202** empty) or more than one protrusion is inserted in more than one corresponding aperture, however these protrusions and aperture(s) are not illustrated in the perspective view of FIG. **12B**.

[0108] FIG. **13A** illustrates the example vehicle frame **1002** of FIG. **10** as configured using the example wheel assembly mount **1010C** of FIG. **12B** for a high ride height of the example vehicle **100** of FIG. **1**. The illustrated example of FIG. **13A** includes the example wheel assembly

mount **1010C** and the example wheel assembly mount **1010D** in the second position **1110** for a high ride height, as illustrated in FIG. **12B**. The illustrated example of FIG. **13A** includes the example wheel assembly **1008C** and the example wheel assembly **1008D** coupled to the wheel assembly mount **1010C** and the wheel assembly mount **1010D**, respectively. In the illustrated example, one aperture is used for coupling the wheel assembly mount **1010C** and the wheel assembly mount **1010D** to the vehicle frame **1002** (e.g., the example aperture **1202** and an example aperture **1304** are empty). However, in some examples, any number of apertures can be used for coupling the wheel assembly mount **1010C** and the wheel assembly mount **1010D** to the vehicle frame **1002** in the second position **1110**. The illustrated example of FIG. **13A** includes an example first distance **1302** that illustrates the high ride height achieved by having the wheel assembly mount **1010C** and the wheel assembly mount **1010D** in the second position **1110**. The first distance **1302** illustrates the distance between the base of the vehicle frame **1002** and the ground at the second position **1110**.

[0109] FIG. **13B** illustrates the example vehicle frame **1002** of FIG. **10** as configured using the example wheel assembly mount **1010C** of FIG. **12A** for a low ride height of the example vehicle of FIG. **1**. The illustrated example of FIG. **13B** includes the example wheel assembly mount **1010C** and the example wheel assembly mount **1010D** in the first position **1108** for a high ride height, as illustrated in FIG. **12A**. The illustrated example of FIG. **13B** includes the example wheel assembly **1008C** and the example wheel assembly **1008D** coupled to the wheel assembly mount **1010C** and the wheel assembly mount **1010D**, respectively. In the illustrated example, both corresponding apertures are used for coupling the wheel assembly mount **1010C** and the wheel assembly mount **1010D** to the vehicle frame **1002** (no apertures are visible in the perspective view of FIG. **13B**). The illustrated example of FIG. **13B** includes an example second distance **1306** that illustrates the low ride height achieved by having the wheel assembly mount **1010C** and the wheel assembly mount **1010D** in the first position **1108**. The second distance **1306** illustrates the distance between the base of the vehicle frame **1002** and the ground at the first position **1108**. In the illustrated examples of FIGS. **13A** and **13B**, the first distance **1302** is greater than the second distance **1306**.

[0110] FIG. **14** is a flowchart representative of an example method **1400** to configure a ride height of a vehicle using the example wheel assembly mounts **1010A**, **1010B**, **1010C**, **1010D** of FIGS. **10**, **11A**, **11B**, **12A**, **12B**, **13A** and/or **13B**. The example method **1400** begins at block **1402** at which the example wheel assembly mount (e.g., the wheel assembly mounts **1010A**, **1010B**, **1010C**, **1010D**) is oriented for a selected ride height. The wheel assembly mounts **1010A**, **1010B**, **1010C**, **1010D** include protrusions (e.g., the example first protrusion **1104** and/or the example second protrusion **1106**) that extend toward the vehicle frame. In some examples, the protrusions of the wheel assembly mounts **1010A**, **1010B**, **1010C**, **1010D** are oriented for the selected ride height. In examples disclosed herein, the selected ride height can be a first ride height of the vehicle frame (e.g., a low ride height) or a second ride height of the vehicle frame (e.g., a high ride height).

[0111] At block **1404**, example protrusion(s) (e.g., the example first protrusion **1104** and/or the example second

protrusion 1106) of the example wheel assembly mount (e.g., the wheel assembly mounts 1010A, 1010B, 1010C, 1010D) are aligned with corresponding aperture(s) (e.g., the example apertures 1012A, 1012B) in the vehicle frame 1002. In some examples, the protrusion(s) (e.g., the first protrusion 1104 and/or the second protrusion 1106) are aligned with apertures adjacent to each of a plurality of wheel assembly locations on the vehicle frame 1002 (e.g., the apertures 1012A, 1012B). The protrusion(s) (e.g., the first protrusion 1104 and/or the second protrusion 1106) are positionable in the apertures (e.g., the apertures 1012A, 1012B) in a position (e.g., the first position 1108 or the second position 1110) to provide the selected ride height of the vehicle frame 1002. For example, the first protrusion 1104 and the second protrusion 1106 are aligned with the corresponding apertures 1012A, 1012B in the first position 1108 to provide the first ride height (low ride height), and the first protrusion 1104 is aligned with the corresponding aperture 1012B in the second position 1110 to provide the second ride height (high ride height), as illustrated in FIGS. 12A, 12B, 13A, and 13B. For the first position 1108, the protrusion(s) (e.g., the example first protrusion 1104 and/or the example second protrusion 1106) are aligned with the aperture(s) (e.g., the apertures 1012A, 1012B) along a first axis that is substantially parallel to a longitudinal axis of the vehicle frame 1002. For the second position 1110, the protrusion(s) (e.g., the example first protrusion 1104 and/or the example second protrusion 1106) are aligned with the aperture(s) (e.g., the apertures 1012A, 1012B) along a second axis that is substantially perpendicular to the longitudinal axis of the vehicle frame 1002.

[0112] At block 1406, the example protrusion(s) (e.g., the example first protrusion 1104 and/or the example second protrusion 1106) are coupled to the aperture(s) (e.g., the example apertures 1012A, 1012B). The wheel assembly mounts 1010A, 1010B, 1010C, 1010D are coupled to the vehicle frame 1002 via the coupling of the protrusion(s) (e.g., the first protrusion 1104 and/or the second protrusion 1106) and the aperture(s) (e.g., the apertures 1012A, 1012B).

[0113] FIG. 15 illustrates an example chassis 1500 having example electric motorized wheel assemblies 1508A, 1508B, 1508C, 1508D in accordance with the teachings of this disclosure. The example vehicle chassis 1500 of FIG. 15 includes an example vehicle frame 1502, example battery packs 1504, an example center subframe 1506, and the example wheel assemblies 1508A, 1508B, 1508C, 1508D. In the illustrated example of FIG. 15, the wheel assemblies 1508A, 1508B, 1508C, 1508D are coupled to the center subframe 1506 of the vehicle frame 1502. In examples disclosed herein, each of the wheel assemblies 1508A, 1508B, 1508C, 1508D includes a wheel, an electric motor, a suspension assembly, and a frame mounting interface, which are discussed in further detail below in connection with FIG. 16A. The wheel assemblies 1508A, 1508B, 1508C, 1508D are coupleable to the center subframe 1506 via the frame mounting interface.

[0114] In the illustrated example, the vehicle frame 1502 includes the battery packs 1504. In examples disclosed herein, the battery packs 1504 power the electric motor of each of the wheel assemblies 1508A, 1508B, 1508C, 1508D. In the illustrated example, the wheel, the electric motor, the suspension assembly, and the frame mounting interface of the wheel assemblies 1508A, 1508B, 1508C, 1508D are

interchangeable for different configurations (e.g., size, geometry, etc.). In the illustrated example, the swappable or interchangeable components (e.g., the wheel, the electric motor, the suspension assembly, and the frame mounting interface) of the wheel assemblies 1508A, 1508B, 1508C, 1508D have common attachment and packaging strategies, which allows ride and performance needs to be met for the vehicle 100 while reducing the number of parts and complexity of manufacturing.

[0115] FIG. 16A illustrates the example wheel assembly 1508A of FIG. 15 configured for the example vehicle 100 of FIG. 1. The example wheel assembly 1508A of FIG. 16A includes an example wheel 1602, an example suspension assembly 1604, an example electric motor 1606, and an example frame mounting interface 1608. In the illustrated example, the wheel 1602, the suspension assembly 1604, the electric motor 1606, and the frame mounting interface 1608 are interchangeable with other suspension assemblies, electric motors, and frame mounting interfaces, respectively. For example, each of the wheel 1602, the suspension assembly 1604, the electric motor 1606, and the frame mounting interface 1608 are variable in size and/or geometry. For example, the electric motor 1606 can be interchanged with different sized electric motors, the geometry of the suspension assembly 1604 can be changed to adjust ride height for the vehicle 100, the dampening in the suspension assembly 1604 can be changed for different terrain, etc. In the illustrated example, the wheel assembly 1508A is configured to easily switch out the components (the wheel 1602, the suspension assembly 1604, the electric motor 1606, and the frame mounting interface 1608) to allow for customization of the vehicle 100 to meet performance needs and ride quality expectations.

[0116] In the illustrated example of FIG. 16A, the wheel 1602, the suspension assembly 1604, the electric motor 1606, and the frame mounting interface 1608 are coupled in the wheel assembly 1508A. In some examples, the electric motor 1606 is operatively coupled to the wheel 1602. In such examples, the operation of the electric motor 1606 causes rotation of the wheel 1602. In the illustrated example, the wheel assembly 1508A (including the wheel 1602, the suspension assembly 1604, and the electric motor 1606) is connected to the center subframe 1506 via the frame mounting interface 1608, which is described in further detail below in connection with FIG. 16B. In the illustrated example, the frame mounting interface 1608 is illustrated as a beam. However, the frame mounting interface 1608 can be implemented as a bar, a plate, a bracket, etc. In some examples, the frame mounting interface 1608 includes mounting points for suspension links and dampers in the wheel assembly 1508A (not visible in the illustrated example of FIG. 16A).

[0117] FIG. 16B illustrates the example wheel assembly 1508B of FIG. 15 coupled to the example vehicle frame 1502 of FIG. 15. The example wheel assembly 1508B of FIG. 16B includes an example wheel 1610, an example suspension assembly 1612, an example electric motor 1614, and an example frame mounting interface 1616. In examples disclosed herein, the wheel 1610, the suspension assembly 1612, the electric motor 1614, and the frame mounting interface 1616 are the same as the wheel 1602, the suspension assembly 1604, the electric motor 1606, and the frame mounting interface 1608 of FIG. 16A. In the illustrated example of FIG. 16B, the wheel assembly 1508B (including the wheel 1610, the suspension assembly 1612, and the

electric motor **1614**) is connected to the center subframe **1506** via the frame mounting interface **1616**.

[0118] In the illustrated example of FIG. **16B**, the frame mounting interface **1616** is coupled to the center subframe **1506** of the vehicle frame **1502** by aligning the frame mounting interface **1616** on an example top surface **1618** of the center subframe **1506**. In some examples, the frame mounting interface **1616** is coupled to the center subframe **1506** of the vehicle frame **1502** via welding, bolts, etc. In the illustrated example, the wheel assembly **1508B** is connected to the center subframe **1506** via the frame mounting interface **1616** to allow for variability in size, geometry, etc. between the vehicle frame **1502** and the components of the wheel assembly **1508B** (the wheel **1610**, the suspension assembly **1612**, the electric motor **1614**, and the frame mounting interface **1616**) without the need for traditional axle connections from the center of the wheel assembly **1508B** containing the electric motor **1614**.

[0119] FIG. **17** is a flowchart representative of an example method **1700** to configure the example wheel assemblies **1508A**, **1508B**, **1508C**, **1508D** of FIGS. **15**, **16A**, and/or **16B**. The example method **1700** begins at block **1702** at which the example wheel assembly components are selected. In examples disclosed in, the wheel assembly components include a wheel (e.g., the example wheel **1602** and the example wheel **1610**), an electric motor (e.g., the example electric motor **1606** and the example electric motor **1614**), a suspension assembly (e.g., the example suspension assembly **1604** and the example suspension assembly **1612**), and the frame mounting interface (e.g., the example frame mounting interface **1608** and the example frame mounting interface **1616**). In some examples, the wheel assembly components are interchangeable in the wheel assembly (e.g., the wheel assemblies **1508A**, **1508B**, **1508C**, **1508D**). In some examples, each of the wheel (e.g., the example wheels **1602**, **1610**), the electric motor (e.g., the example electric motors **1606**, **1614**), the suspension assembly (e.g., the example suspension assemblies **1604**, **1612**), and the frame mounting interface (e.g., the example frame mounting interfaces **1608**, **1616**) are variable in size and/or geometry. In some examples, the operator of the vehicle **100** can select the different components for the wheel assembly (e.g., the wheel assemblies **1508A**, **1508B**, **1508C**, **1508D**) to meet performance and ride requirements.

[0120] At block **1704**, the example frame mounting interface (e.g., the example frame mounting interfaces **1608**, **1616**) of the wheel assembly (e.g., the wheel assemblies **1508A**, **1508B**, **1508C**, **1508D**) is aligned with the center subframe (e.g., the center subframe **1506**) of the vehicle **100**. In some examples, the frame mounting interface (e.g., the example frame mounting interfaces **1608**, **1616**) is aligned on a top surface (e.g., the example top surface **1618**) of the center subframe **1506** of the vehicle frame **1502**.

[0121] At block **1706**, the example frame mounting interface (e.g., the example frame mounting interfaces **1608**, **1616**) of the wheel assembly (e.g., the wheel assemblies **1508A**, **1508B**, **1508C**, **1508D**) is coupled to the center subframe (e.g., the center subframe **1506**) of the vehicle **100**. In some examples, the frame mounting interface (e.g., the example frame mounting interfaces **1608**, **1616**) is coupled to the center subframe **1506** of the vehicle frame **1502** via welding, bolts, etc. In some examples, the wheel assembly (e.g., the wheel assemblies **1508A**, **1508B**, **1508C**, **1508D**) is connected to the center subframe **1506** via the frame mount-

ing interface (e.g., the example frame mounting interfaces **1608**, **1616**) to allow for variability in size, geometry, etc. between the vehicle frame **1502** and the components of the wheel assembly (e.g., the wheel assemblies **1508A**, **1508B**, **1508C**, **1508D**) without the need for traditional axle connections from the center of the wheel assembly.

[0122] FIG. **18** is an illustration of an example vehicle chassis **1800** in which the teachings of this disclosure can be implemented. The vehicle chassis **1800** includes an example first crossmember **1801A**, an example second crossmember **1801B**, an example third crossmember **1801C**, and an example fourth crossmember **1801D**, an example first side rail **1802A**, an example second side rail **1802B**, an example third side rail **1802C**, and an example fourth side rail **1802D**. The vehicle chassis **1800** is generally divided into an example front chassis portion **1804**, an example rear chassis portion **1806**, and an example battery platform **1808**. In the illustrated example of FIG. **18**, the front chassis portion **1804** is coupled to an example first electric motor **1810A**, an example first suspension assembly **1812A**, an example second suspension assembly **1812B**, an example first wheel **1814A**, and an example second wheel **1814B**. In the illustrated example of FIG. **18**, the rear chassis portion **1806** is coupled to an example second electric motor **1810B**, an example third suspension assembly **1812C**, an example fourth suspension assembly **1812D**, an example third wheel **1814C**, and an example fourth wheel **1814D**. In the illustrated example of FIG. **18**, the battery platform **1808** includes an example central battery array **1815**, an example first side battery array **1816A**, and an example second battery array **1816B**. In the illustrated example of FIG. **18**, the vehicle chassis **1800** includes a perimeter frame. In other examples, the teachings of this disclosure can be applied on any other suitable type of vehicle frame (e.g., a ladder frame, a unibody frame, etc.).

[0123] The crossmembers **1801A**, **1801B**, **1801C**, **1801D** extend generally laterally between the driver and passenger sides of the chassis **1800**. The crossmembers **1801A**, **1801B**, **1801C**, **1801D** increase the strength of the chassis **1800** and protect vehicle components (e.g., the electric motors **1810A**, **1810B**, the suspension assemblies **1812A**, **1812B**, **1812C**, **1812D**, etc.). In some examples, the crossmembers **1801A**, **1801B**, **1801C**, **1801D** include additional features (e.g., bolt holes, weld surfaces, etc.) that enable additional vehicle components to be coupled thereto. In the illustrated example of FIG. **18**, the vehicle chassis **1800** includes four crossmembers (e.g., the crossmembers **1801A**, **1801B**, **1801C**, **1801D**, etc.). In other examples, the vehicle chassis **1800** includes a different quantity of crossmembers (e.g., two cross members, four cross members, etc.). The crossmembers **1801A**, **1801B**, **1801C**, **1801D** can be composed of steel, aluminum, and/or any other suitable material(s). The coupling of the crossmembers **1801A**, **1801B**, **1801C**, **1801D** within the chassis **1800** is described in greater detail below in conjunction with FIG. **19**.

[0124] The side rails **1802A**, **1802B**, **1802C**, **1802D** extend longitudinally between the front chassis portion **1804** and the rear chassis portion **1806**. In the illustrated example of FIG. **18**, the vehicle chassis **1800** includes four side rails (e.g., the side rails **1802A**, **1802B**, **1802C**, **1802D**, etc.). In other examples, the vehicle chassis **1800** includes a different quantity of side rails (e.g., two side rails, four side rails, etc.). The side rails **1802A**, **1802B**, **1802C**, **1802D** can be composed of steel, aluminum, and/or any other suitable material

(s). The coupling of the side rails **1802A**, **1802B**, **1802C**, **1802D** within the chassis **1800** is described in greater detail below in conjunction with FIG. **19**.

[0125] The crossmembers **1801A**, **1801B**, **1801C**, **1801D**, and the side rails **1802A**, **1802B**, **1802C**, **1802D** can be of variable size depending on the type and/or model of the vehicle. For example, longer or shorter crossmembers **1801A**, **1801B**, **1801C**, **1801D** can be selected to change the lateral size of the vehicle chassis **1800**. Similarly, longer or shorter side rails **1802A**, **1802B**, **1802C**, **1802D** can be selected to change the longitudinal size of the vehicle chassis **1800**. As such, by varying the size of the crossmembers **1801A**, **1801B**, **1801C**, **1801D** and side rails **1802A**, **1802B**, **1802C**, **1802D**, the footprint of the vehicle chassis **1800** can be scaled without changing the other components of the chassis **1800**, which enables shared components to be utilized on differently sized vehicle chassis. The selection of differently sized crossmembers and side rails is described in greater detail below in conjunction with FIG. **19**. Example configurations of the vehicle chassis **1800** using differently sized crossmembers and side rails are described below in conjunction with FIG. **20A** and FIG. **20B**.

[0126] In other examples, the crossmembers **1801A**, **1801B**, **1801C**, **1801D** and/or the side rails **1802A**, **1802B**, **1802C**, **1802D** include features (e.g., slidable rails, telescoping features, etc.) that enable length adjustment (e.g., extension, contraction, etc.) of the crossmembers **1801A**, **1801B**, **1801C**, **1801D** and/or the side rails **1802A**, **1802B**, **1802C**, **1802D**. An example vehicle chassis including adjustable crossmembers and adjustable side rails is described below in conjunction with FIG. **21**. Example structural members including adjustable features are described below in conjunction with FIGS. **22A** and **22B**.

[0127] The front chassis portion **1804** includes the components of the chassis **1800** forward of the battery platform **1808**. The rear chassis portion **1806** includes the components of the chassis **1800** rearward of the battery platform **1808**. The front and rear chassis portions **1804**, **1806** can be composed of smaller chassis portions coupled via the crossmembers **1801A**, **1801B**, **1801C**, **1801D**. An example implementation of the chassis portions **1804**, **1806** variable size is described below in conjunction with FIGS. **23-24B**.

[0128] The electric motors **1810A**, **1810B** are powertrain components that convert electric power provided by the batteries of the battery arrays **1815**, **1816A**, **1816B** into mechanical energy that drives the wheels **1814A**, **1814B**, **1814C**, **1814D**. In some examples, the parameters of the electric motors **1810A**, **1810B** (e.g., horsepower, torque, size, etc.) are chosen based on the configuration of the chassis **1800** (e.g., the length of the crossmembers **1801A**, **1801B**, **1801C**, **1801D** and/or the side rails **1802A**, **1802B**, **1802C**, **1802D**, etc.) and/or the model of the vehicle associated with the chassis **1800**. In other examples, the electric motors **1810A**, **1810B** are absent. In such examples, other powertrain components (e.g., one or more combustion engine(s), etc.) can be coupled between the crossmembers **1801A**, **1801B**, **1801C**, **1801D**.

[0129] The batteries of the battery arrays **1815**, **1816A**, **1816B** are EV batteries. The batteries of the battery arrays **1815**, **1816A**, **1816B** provide power to the electric motors **1810A**, **1810B**. In other examples, if the vehicle chassis **1800** is associated with a hybrid vehicle, the batteries of the battery arrays **1815**, **1816A**, **1816B** supplement the power generated by a combustion engine of the vehicle chassis

1800. The central battery array **1815** is disposed between the second side rail **1802B** and the third side rail **1802C**. The first side battery array **1816A** is disposed between the first side rail **1802A** and the second side rail **1802B**. The second side battery array **1816B** is disposed between the third side rail **1802C** and the fourth side rail **1802D**. In some examples, additional batteries are disposed within the chassis **1800** (e.g., in the front chassis portion **1804**, in the rear chassis portion **1806**, etc.). In some examples, the side battery arrays **1816A**, **1816B** are absent (e.g., in examples with two side rails, etc.). Example chassis configurations including additional batteries are described below in conjunction with FIGS. **23**, **24A**, and **24B**.

[0130] FIG. **19** is a perspective view of an example vehicle chassis **1900** with the different width and length configurations. In the illustrated example of FIG. **19**, the front chassis portion **1804** includes an example right front chassis portion **1902** and an example left front chassis portion **1904**. In the illustrated example of FIG. **19**, the rear chassis portion **1806** includes an example right rear chassis portion **1906** and an example left rear chassis portion **1908**. In the illustrated example of FIG. **19**, the right front chassis portion **1902** includes an example first longitudinal member **1912**, an example first flared portion **1914**, an example first crossmember attachment locator **1916**, an example second crossmember attachment locator **1918**, an example first side rail attachment locator **1944**, and an example second side rail attachment locator **1946**. In the illustrated example of FIG. **19**, the left front chassis portion **1904** includes an example second longitudinal member **1920**, an example second flared portion **1922**, an example third crossmember attachment locator **1924**, an example fourth crossmember attachment locator **1926**, an example third side rail attachment locator **1948**, and an example fourth side rail attachment locator **1950**. In the illustrated example of FIG. **19**, the right rear chassis portion **1906** includes an example third longitudinal member **1928**, an example third flared portion **1930**, an example fifth crossmember attachment locator **1931**, an example sixth crossmember attachment locator **1932**, an example fifth side rail attachment locator **1952**, and an example sixth side rail attachment locator **1954**. In the illustrated example of FIG. **19**, the left rear chassis portion **1908** includes an example fourth longitudinal member **1934**, an example fourth flared portion **1936**, an example seventh crossmember attachment locator **1938**, an example eighth crossmember attachment locator **1940**, an example seventh side rail attachment locator **1956**, and an example eighth side rail attachment locator **1958**.

[0131] The chassis portions **1902**, **1904**, **1906**, **1908** each include a corresponding one of the longitudinal members **1912**, **1920**, **1928**, **1934** and one of the flared portions **1914**, **1922**, **1930**, **1936**. The flared portions **1914**, **1922**, **1930**, **1936** can be fully or partially hollow. In other examples, the flared portions **1914**, **1922**, **1930**, **1936** are solid parts. In the illustrated example of FIG. **19**, the flared portions **1914**, **1922**, **1930**, **1936** are trapezoidal prisms. In other examples, the flared portions **1914**, **1922**, **1930**, **1936** can have any other suitable shape (e.g., a forked structure, a conical structure, pyramidal structure, a cylindrical structure, etc.).

[0132] In the illustrated example of FIG. **19**, the flared portions **1914**, **1922** are disposed at the respective rearward ends of the longitudinal members **1912**, **1920**. In the illustrated example of FIG. **19**, the flared portions **1930**, **1936** are disposed at the respective forward ends of the longitudinal

members **1928, 1934**. In some examples, each of the flared portions **1914, 1922, 1930, 1936** and the corresponding longitudinal members **1912, 1920, 1928, 1934** (e.g., the first flared portion **1914** and the first longitudinal member **1912**, the second flared portion **1922** and the second longitudinal member **1920**, etc.) is a unitary structure. In other examples, the flared portions **1914, 1922, 1930, 1936** can be coupled to the corresponding longitudinal members **1912, 1920, 1928, 1934** via any suitable fastening technique(s) (e.g., welds, press-fit, chemical adhesive, one or fasteners, etc.).

[0133] In some examples, to minimize cost and to simplify manufacturing/assembly, the longitudinal members **1912, 1920, 1928, 1934** are of the same design and dimensions. Similarly, in some examples, the flared portions **1914, 1922, 1930, 1936** are of the same design and dimensions. In such examples, the chassis portions **1902, 1904, 1906, 1908** include the same parts, which reduces the total number of unique parts of the chassis **1900**.

[0134] The crossmember attachment locators **1916, 1918, 1924, 1926, 1931, 1932, 1938, 1940** are features of the chassis portions **1902, 1904, 1906, 1908** that enable the coupling of the crossmembers **1801A, 1801B, 1801C, 1801D**. That is, the first crossmember attachment locator **1916** and the third crossmember attachment locator **1924** facilitate the coupling of the first crossmember **1801A** between the first longitudinal member **1912** of the right front chassis portion **1902** and the second longitudinal member **1920** of the left front chassis portion **1904**. The second crossmember attachment locator **1918** and the fourth crossmember attachment locator **1926** facilitate the coupling of the second crossmember **1801B** between the first longitudinal member **1912** of the right front chassis portion **1902** and the second longitudinal member **1920** of the left front chassis portion **1904**. The fifth crossmember attachment locator **1931** and the seventh crossmember attachment locator **1938** facilitate the coupling of the third crossmember **1801C** between the third longitudinal member **1928** of the right rear chassis portion **1906** and the fourth longitudinal member **1934** of the left rear chassis portion **1908**. The sixth crossmember attachment locator **1932** and the eighth crossmember attachment locator **1940** facilitate the coupling of the fourth crossmember **1801D** between the third longitudinal member **1928** of the right rear chassis portion **1906** and the fourth longitudinal member **1934** of the left rear chassis portion **1908**.

[0135] The crossmember attachment locators **1916, 1918, 1924, 1926, 1931, 1932, 1938, 1940** include one or more feature(s) that enable the coupling of the crossmembers **1801A, 1801B, 1801C, 1801D** therebetween. For example, the crossmember attachment locators **1916, 1918, 1924, 1926, 1931, 1932, 1938, 1940** can include inboard extending protrusions to be coupled within an aperture (e.g., the hollow cross-sections of the crossmembers **1801A, 1801B, 1801C, 1801D**, etc.) of the corresponding crossmembers **1801A, 1801B, 1801C, 1801D**. In such examples, the protrusions of the crossmember attachment locators **1916, 1918, 1924, 1926, 1931, 1932, 1938, 1940** may be dimensioned to frictionally engage with the internal surface of the corresponding apertures of the crossmembers **1801A, 1801B, 1801C, 1801D**. In other examples, the crossmember attachment locators **1916, 1918, 1924, 1926, 1931, 1932, 1938, 1940** include apertures to receive corresponding outboard extending protrusions of the crossmembers **1801A, 1801B, 1801C, 1801D**. At the crossmember attachment locators

1916, 1918, 1924, 1926, 1931, 1932, 1938, 1940, the crossmembers **1801A, 1801B, 1801C, 1801D** can be coupled to the corresponding chassis portions **1902, 1904, 1906, 1908** via one or more welds. In other examples, the crossmembers **1801A, 1801B, 1801C, 1801D** can be coupled to the corresponding chassis portions **1902, 1904, 1906, 1908** via any fastening technique (e.g., a fastener, a weld, a chemical adhesive, a press-fit, etc.) or combination thereof. Additionally or alternatively, the crossmember attachment locators **1916, 1918, 1924, 1926, 1931, 1932, 1938, 1940** can include a bracket and/or other feature that facilitates the coupling of the crossmembers **1801A, 1801B, 1801C, 1801D**.

[0136] In the illustrated example of FIG. 19, the crossmembers **1801A, 1801B, 1801C, 1801D** are implemented by one of example interchangeable crossmembers **1942A, 1942B, 1942C, 1942D**. The interchangeable crossmembers **1942A, 1942B, 1942C, 1942D** are structural members of different lengths. That is, the first interchangeable crossmember **1942A** is the longest of the interchangeable crossmembers **1942A, 1942B, 1942C, 1942D**. The second interchangeable crossmember **1942B** is the second longest of the interchangeable crossmembers **1942A, 1942B, 1942C, 1942D**. The third interchangeable crossmember **1942C** is the third longest of the interchangeable crossmembers **1942A, 1942B, 1942C, 1942D**. The fourth interchangeable crossmember **1942D** is the shortest of the interchangeable crossmembers **1942A, 1942B, 1942C, 1942D**. Depending on which of the interchangeable crossmembers **1942A, 1942B, 1942C, 1942D** implements the crossmembers **1801A, 1801B, 1801C, 1801D**, the width of the chassis **1900** can be changed. As such, the chassis **1900** supports various width configurations with only the changing of the crossmembers **1801A, 1801B, 1801C, 1801D**. Two example configurations of the chassis **1900** illustrating the use of the first interchangeable crossmember **1942A** and the fourth interchangeable crossmember **1942D** are described below in conjunction with FIGS. 20A and 20B, respectively.

[0137] The side rail attachment locators **1944, 1946, 1948, 1950, 1952, 1954, 1956, 1958** are features of the chassis portions **1902, 1904, 1906, 1908** that enable the coupling of the side rails **1802A, 1802B, 1802C, 1802D**. That is, the first side rail attachment locator **1944** and the fifth side rail attachment locator **1952** facilitate the coupling of the first side rail **180A** between the first flared portion **1914** of the right front chassis portion **1902** and the third flared portion **1930** of the right rear chassis portion **1906**. The second side rail attachment locator **1946** and the sixth side rail attachment locator **1954** facilitate the coupling of the second side rail **1802B** between the first flared portion **1914** of the right front chassis portion **1902** and the third flared portion **1930** of the right rear chassis portion **1906**. The third side rail attachment locator **1948** and the seventh side rail attachment locator **1956** facilitate the coupling of the third side rail **1802C** between the second flared portion **1922** of the left front chassis portion **1904** and the fourth flared portion **1936** of the left rear chassis portion **1908**. The fourth side rail attachment locator **1950** and the eighth side rail attachment locator **1958** facilitate the coupling of the fourth side rail **1802D** between the second flared portion **1922** of the left front chassis portion **1904** and the fourth flared portion **1936** of the left rear chassis portion **1908**.

[0138] The side rail attachment locators **1944, 1946, 1948, 1950, 1952, 1954, 1956, 1958** include one or more feature(s)

that enable the coupling of the side rails **1802A**, **1802B**, **1802C**, **1802D** therebetween. For example, the side rail attachment locators **1944**, **1946**, **1948**, **1950**, **1952**, **1954**, **1956**, **1958** can include protrusions to be coupled within corresponding apertures (e.g., the hollow cross-sections of the side rails **1802A**, **1802B**, **1802C**, **1802D**, etc.) of the corresponding side rails **1802A**, **1802B**, **1802C**, **1802D**. In such examples, the protrusions of the side rail attachment locators **1944**, **1946**, **1948**, **1950**, **1952**, **1954**, **1956**, **1958** may be dimensioned to frictionally engage with the internal surface of the corresponding apertures of the side rails **1802A**, **1802B**, **1802C**, **1802D**. In other examples, the side rail attachment locators **1944**, **1946**, **1948**, **1950**, **1952**, **1954**, **1956**, **1958** include apertures to receive a corresponding protrusion of the side rails **1802A**, **1802B**, **1802C**, **1802D**. At the side rail attachment locators **1944**, **1946**, **1948**, **1950**, **1952**, **1954**, **1956**, **1958**, the side rails **1802A**, **1802B**, **1802C**, **1802D** can be coupled to the corresponding chassis portions **1902**, **1904**, **1906**, **1908** via one or more welds. In other examples, the side rails **1802A**, **1802B**, **1802C**, **1802D** are coupled to the corresponding chassis portions **1902**, **1904**, **1906**, **1908** via any fastening technique (e.g., a fastener, a weld, a chemical adhesive, a press-fit, etc.) or combination thereof. Additionally or alternatively, the side rail attachment locators **1944**, **1946**, **1948**, **1950**, **1952**, **1954**, **1956**, **1958** can include a bracket and/or other feature that facilitates the coupling of the side rails **1802A**, **1802B**, **1802C**, **1802D**.

[0139] In the illustrated example of FIG. 19, the side rails **1802A**, **1802B**, **1802C**, **1802D** are implemented by one of example interchangeable side rails **1960A**, **1960B**, **1960C**, **1960D**. The interchangeable side rails **1960A**, **1960B**, **1960C**, **1960D** are structural members of different lengths. That is, the first interchangeable side rail **1960A** is the longest of the interchangeable side rails **1960A**, **1960B**, **1960C**, **1960D**. The second interchangeable side rail **1960B** is the second longest of the interchangeable side rails **1960A**, **1960B**, **1960C**, **1960D**. The third interchangeable side rail **1960C** is the third longest of the interchangeable side rails **1960A**, **1960B**, **1960C**, **1960D**. The fourth interchangeable side rail **1960D** is the shortest of the interchangeable side rails **1960A**, **1960B**, **1960C**, **1960D**. Depending on which of the interchangeable side rails **1960A**, **1960B**, **1960C**, **1960D** implements the side rails **1802A**, **1802B**, **1802C**, **1802D**, the length of the chassis **1900** can be changed. As such, the chassis **1900** supports various length configurations with only the changing of the side rails **1802A**, **1802B**, **1802C**, **1802D**. Two example configurations of the chassis **1800** illustrating the use of the first interchangeable side rail **1960A** and the fourth interchangeable side rail **1960D** are described below in conjunction with FIGS. 20A and 20B, respectively.

[0140] FIG. 20A is a top view of an example first configuration **2000** of the chassis **1900**. In the illustrated example of FIG. 20A, the first configuration **2000** of the chassis **1900** includes the first interchangeable crossmember **1942A** implementing each of the crossmembers **1801A**, **1801B**, **1801C**, **1801D** and the first interchangeable side rail **1960A** implementing each of the side rails **1802A**, **1802B**, **1802C**, **1802D**. In the illustrated example of FIG. 20A, the chassis **1800** has a comparatively larger width and length, which makes the first configuration **2000** suitable for larger vehicles (e.g., SUVs, pick-up trucks, etc.).

[0141] FIG. 20B is a top view of an example second configuration **2002** of the chassis **1900**. In the illustrated example of FIG. 20B, the second configuration **2002** of the chassis **1800** includes the fourth interchangeable crossmember **1942D** implementing each of the crossmembers **1801A**, **1801B**, **1801C**, **1801D** and the fourth interchangeable side rail **1960D** implementing each of the side rails **1802A**, **1802B**, **1802C**, **1802D**. In the illustrated example of FIG. 20B, the chassis **1800** has a comparatively smaller footprint, which makes the first configuration **2000** suitable for smaller vehicles (e.g., compact vehicles, crossovers, etc.).

[0142] In some examples, the battery arrays **1815**, **1816A**, **1816B** have different numbers of batteries in different configurations of the vehicle chassis **1900**. In the illustrated examples of FIGS. 20A and 20B, the first configuration **2000** of the vehicle chassis **1900** includes a comparatively greater number of batteries than the second configuration **2002** of the vehicle chassis **1900**. While the configurations **2000**, **2002** of FIGS. 20A and 20B include particular combinations of the interchangeable crossmembers **1942A**, **1942B**, **1942C**, **1942D** and the interchangeable side rails **1960A**, **1960B**, **1960C**, **1960D** (e.g., the comparatively short first interchangeable crossmember **1942A** and the comparatively smaller first side rail **1960A** of FIG. 20A, the comparatively long fourth crossmember **1942D**, and the comparatively longer fourth side rail **1960D** of FIG. 20B, etc.), any combination of the interchangeable crossmembers **1942A**, **1942B**, **1942C**, **1942D** and the interchangeable side rails **1960A**, **1960B**, **1960C**, **1960D** can be used with the vehicle chassis **1900**. For example, example configurations of the vehicle chassis **1900** include a comparatively longer interchangeable crossmember (e.g., the interchangeable crossmember **1942A**, **1942B**, etc.) and a comparatively smaller interchangeable side rail (e.g., the interchangeable side rail **1960C**, **1960D**, etc.) and vice versa.

[0143] FIGS. 21-24 depict alternative vehicle chassis that may be used to implement the teachings of this disclosure that are similar to those described with reference FIGS. 18-20. When the same element number is used in connection with FIGS. 21-24 as used in FIGS. 18-20, it has the same meaning unless indicated otherwise.

[0144] FIG. 21 is a perspective view of an alternative vehicle chassis **2100** including adjustable crossmember(s) **2102** and side rail(s) **2104**. In the illustrated example of FIG. 21, the vehicle chassis **2100** includes the right front chassis portion **1902**, the left front chassis portion **1904**, the right rear chassis portion **1906**, and the left rear chassis portion **1908**. In the illustrated example of FIG. 21, the right front chassis portion **1902** includes the example first longitudinal member **1912**, the example first flared portion **1914**, the example first crossmember attachment locator **1916**, the example second crossmember attachment locator **1918**, the example first side rail attachment locator **1944**, and the example second side rail attachment locator **1946**. In the illustrated example of FIG. 21, the left front chassis portion **1904** includes the example second longitudinal member **1920**, the example second flared portion **1922**, the example third crossmember attachment locator **1924**, the example fourth crossmember attachment locator **1926**, the example third side rail attachment locator **1948**, and the example fourth side rail attachment locator **1950**. In the illustrated example of FIG. 21, the right rear chassis portion **1906** includes the example third longitudinal member **1928**, the example third flared portion **1930**, the example fifth cross-

member attachment locator **1931**, the example sixth cross-member attachment locator **1932**, the example fifth side rail attachment locator **1952**, and the example sixth side rail attachment locator **1954**. In the illustrated example of FIG. **19**, the left rear chassis portion **1908** includes the example fourth longitudinal member **1934**, the example fourth flared portion **1936**, the example seventh crossmember attachment locator **1938**, the example eighth crossmember attachment locator **1940**, the example seventh side rail attachment locator **1956**, and the example eighth side rail attachment locator **1958**. The adjustable structural member that can be used to implement the adjustable crossmember(s) **2102** and/or the adjustable side rail(s) **2104** is described below in conjunction with FIG. **22A**. An alternative adjustable structural member that can be used to implement the adjustable crossmember(s) **2102** and/or the adjustable side rail(s) **2104** is described in detail below in conjunction with FIG. **22B**.

[0145] In the illustrated example of FIG. **21**, the crossmembers **1801A**, **1801B**, **1801C**, **1801D** can be implemented by the adjustable crossmember **2102**. The adjustable crossmember(s) **2102** are structural members with variably adjustable lengths. For example, the adjustable crossmember(s) **2102** can be adjusted to the desired length during the assembly of the chassis **2100**. In some examples, the desired length of the adjustable crossmembers(s) **2102** is determined based on the model associated with the chassis **2100** and/or the desired total width of the chassis **2100**. That is, depending on the adjusted length of the adjustable crossmember(s) **2102**, the width of the chassis **2100** can be changed. As such, the chassis **2100** supports various width configurations based only on the adjustment of the adjustable crossmember(s) **2102**.

[0146] In some examples, the adjustable crossmember(s) **2102** include one or more feature(s) that enable the adjustable crossmember(s) **2102** to be coupled to the crossmember attachment locators **1916**, **1918**, **1924**, **1926**, **1931**, **1932**, **1938**, **1940**. For example, the adjustable crossmember(s) **2102** can include apertures (e.g., a hollow cross-section, etc.) to receive corresponding protrusions of the crossmember attachment locators **1916**, **1918**, **1924**, **1926**, **1931**, **1932**, **1938**, **1940**. In other examples, the adjustable crossmember(s) **2102** includes protrusions to be received by corresponding apertures of the crossmember attachment locators **1916**, **1918**, **1924**, **1926**, **1931**, **1932**, **1938**, **1940**. At the crossmember attachment locators **1916**, **1918**, **1924**, **1926**, **1931**, **1932**, **1938**, **1940**, the adjustable crossmember(s) **2102** can be coupled to the corresponding chassis portions **1902**, **1904**, **1906**, **1908** via one or more welds. In other examples, the adjustable crossmember(s) **2102** are coupled to the corresponding chassis portions **1902**, **1904**, **1906**, **1908** via any fastening technique (e.g., a fastener, a weld, a chemical adhesive, a press-fit, etc.) or combination thereof.

[0147] In the illustrated example of FIG. **21**, the side rails **1802A**, **1802B**, **1802C**, **1802D** are implemented by the example adjustable side rail(s) **2104**. The adjustable side rail(s) **2104** are structural members with variable lengths. For example, the adjustable side rail(s) **2104** can be adjusted to the desired length during the assembly of the chassis **2100**. In some examples, the desired length of the adjustable side rail(s) **2104** is determined based on the model associated with the chassis **2100** and/or the desired total length of the chassis **2100**. That is, depending on the adjusted length of the adjustable side rail(s) **2104**, the length of the chassis **2100** can be changed. As such, the chassis **2100** supports

various length configurations based only on the adjustment of the adjustable side rail(s) **2104**.

[0148] In some examples, the adjustable side rail(s) **2104** include one or more feature(s) that enable the adjustable side rail(s) **2104** to be coupled to the side rail attachment locators **1944**, **1946**, **1948**, **1950**, **1952**, **1954**, **1956**, **1958**. For example, the adjustable side rail(s) **2104** can include apertures (e.g., a hollow cross-section, etc.) to receive corresponding protrusions of the side rail attachment locators **1944**, **1946**, **1948**, **1950**, **1952**, **1954**, **1956**, **1958**. In other examples, the adjustable side rail(s) **2104** can include protrusions to be received by corresponding apertures of the side rail attachment locators **1944**, **1946**, **1948**, **1950**, **1952**, **1954**, **1956**, **1958**. At side rail attachment locators **1944**, **1946**, **1948**, **1950**, **1952**, **1954**, **1956**, **1958**, the adjustable side rail(s) **2104** can be coupled to the corresponding chassis portions **1902**, **1904**, **1906**, **1908** via one or more welds. In other examples, the adjustable side rail(s) **2104** can be coupled to the corresponding chassis portions **1902**, **1904**, **1906**, **1908** via any fastening technique (e.g., a fastener, a weld, a chemical adhesive, a press-fit, etc.) or combination thereof.

[0149] FIG. **22A** is a perspective view of the adjustable structural member **2102** of FIG. **21**. In the illustrated example, the adjustable structural member **2102** includes an example inner member **2202**, an example first outer sleeve **2204A**, and an example second outer sleeve **2204B**. The inner member **2202** has an example first end **2205A** and an example second end **2205B**.

[0150] The adjustable structural member **2102** is a telescoping structural member. In the illustrated example of FIG. **22A**, the outer sleeves **2204A**, **2204B** (e.g., telescoping features, etc.) that slide relative to the inner member **2202** such that the adjustable structural member **2102** can be adjusted to the desired length. In the illustrated example of FIG. **22A**, the adjustable structural member **2102** is configured to have a relatively longer length by adjusting the outer sleeves **2204A**, **2204B** such that a portion of the outer sleeves **2204A**, **2204B** extends past the ends **2205A**, **2205B**, respectively. In other examples, the adjustable structural member **2102** can be configured to have a relatively shorter length by adjusting the outer sleeves **2204A**, **2204B** such that the first outer sleeve **2204A** abuts the second outer sleeve **2204B**. That is, the total length of the adjustable structural member **2102** can be adjusted by positioning the outer sleeves **2204A**, **2204B**.

[0151] In some examples, after the outer sleeves **2204A**, **2204B** have been positioned to achieve the desired length of the adjustable structural member **2102**, the outer sleeves **2204A**, **2204B** can be permanently fixed relative to the inner member **2202** via welds and/or another suitable fastening techniques. In other examples, the outer sleeves **2204A**, **2204B** can be removably fixed relative to the inner member **2202** via a chemical adhesive, a fastener, and/or another suitable example. In some such examples, the adjustable structural member **2200** can be readjusted to have a different length (e.g., for use on a different chassis, etc.). In some examples, the inner member **2202** and/or the outer sleeves **2204A**, **2204B** can include features (not illustrated) that facilitate fixing the structural member **2200** at the desired length. or more apertures to receive one or more fasteners (e.g., bolts, pins, screws, etc.).

[0152] FIG. **22B** is a perspective view of an example alternative adjustable structural member **2206** that can be

used with the alternative vehicle chassis **2100** of FIG. **21**. In the illustrated example of FIG. **22B**, the adjustable structural member **2206** includes an example first inner rail **2208A**, an example second inner rail **2208B**, an example first outer rail **2210A**, and an example second outer rail **2210B**. In the illustrated example of FIG. **22B**, the first inner rail **2208A** includes an example first track **2212A** and an example second track **2212B**. In the illustrated example of FIG. **22B**, the second inner rail **2208B** includes an example third track **2212C** and an example fourth track **2212D**. In the illustrated example of FIG. **22B**, the outer rails **2210A**, **2210B** include an example first boss **2214A** and an example second boss **2214B**, respectively. In the illustrated example of FIG. **22B**, the inner rails **2208A**, **2208B** have an example first inner end **2216A** and an example second inner end **2216B**, respectively. In the illustrated example of FIG. **22B**, the outer rails **2210A**, **2210B** define an example first outer end **2218A** and an example second outer end **2218B**.

[0153] The adjustable structural member **2206** is a slidably adjustable structural member. The length of the adjustable structural member **2206** can be adjusted by changing the position of the inner rails **2208A**, **2208B** relative to the outer rails **2210A**, **2210B** (e.g., slidably adjustable features, etc.). For example, the bosses **2214A**, **2214B** can slide within the corresponding tracks **2212A**, **2212B**, **2212C**, **2212D** (e.g., the first boss **2214A** within the first track **2212A** and the third track **2212C**, the second boss **2214B** within the second track **2212B** and the fourth track **2212D**, etc.). For example, the adjustable structural member **2206** can be adjusted to have a relatively shorter length by adjusting the rails **2208A**, **2208B**, **2210A**, **2210B** such that the first inner end **2216A** of the first inner rail **2208A** abuts the second inner end **2216B** of the second inner rail **2208B**. The adjustable structural member **2206** can be adjusted to have a relatively longer length by adjusting the rails **2208A**, **2208B**, **2210A**, **2210B** such that the first inner end **2216A** of the first inner rail **2208A** is proximate to the outer end **2218A** and the second inner end **2216B** of the second inner rail **2208B** is proximate to the second outer end **2218B**. That is, the total length of the adjustable structural member **2206** can be adjusted by positioning the rails **2208A**, **2208B**, **2210A**, **2210B**.

[0154] In some examples, after the rails **2208A**, **2208B**, **2210A**, **2210B** have been positioned to achieve the desired length of the adjustable structural member **2206**, the relative positions of the rails **2208A**, **2208B**, **2210A**, **2210B** can be permanently fixed via welds and/or another suitable fastening techniques. For example, the bosses **2214A**, **2214B** can be welded within the corresponding tracks **2212A**, **2212B**, **2212C**, **2212D** at the desired location. In other examples, the relative positions of the rails **2208A**, **2208B**, **2210A**, **2210B** can be removably fixed via a chemical adhesive, a fastener, and/or another suitable example. In some such examples, the adjustable structural member **2206** can be readjusted to have a different length (e.g., for use on a differently sized chassis, etc.). In some examples, some or all of the rails **2208A**, **2208B**, **2210A**, **2210B** include features (not illustrated) that facilitate fixing the adjustable structural member **2206** at the desired length. In some such examples, some or all of the rails **2208A**, **2208B**, **2210A**, **2210B** include one or more apertures to receive one or more fasteners (e.g., bolts, pins, screws, etc.).

[0155] FIG. **23** is a perspective view of an example second alternative vehicle chassis **2300**. The example vehicle chassis **2300** includes an example battery platform **2302**. The

battery platform **2302** can be coupled to one of an example first interchangeable front chassis portion **2304A** or an example second interchangeable front chassis portion **2304B**. The battery platform **2302** can be coupled to one of an example first interchangeable rear chassis portion **2306A** or an example second interchangeable rear chassis portion **2306B**. The example first interchangeable front chassis portion **2304A** includes example first attachment locators **2308**, example first crossmembers **2310**, and example first longitudinal members **2311**. The example second interchangeable front chassis portion **2304B** includes example first attachment locators **2312**, an example frame section **2314**, an example battery array **2316**, example second crossmembers **2318**, and example second longitudinal members **2319**. The example first interchangeable rear chassis portion **2306A** includes example third attachment locators **2320**, example third crossmembers **2322**, and example third longitudinal members **2323**. The example second interchangeable rear chassis portion **2306B** includes example fourth attachment locators **2324**, an example second frame section **2326**, an example second battery array **2328**, example fourth crossmembers **2330**, and example fourth longitudinal members **2331**. The example battery platform **2302** includes example fifth attachment locators **2332** and example sixth attachment locators **2334**.

[0156] In the illustrated example of FIG. **23**, the interchangeable front chassis portions **2304A**, **2304B** include the example first electric motor **1810A**, the example first suspension assembly **1812A**, the example second suspension assembly **1812B**, the example first wheel **1814A**, and the example second wheel **1814B**. In the illustrated example of FIG. **23**, the interchangeable rear chassis portions **2306A**, **2306B** include the example second electric motor **1810B**, the example third suspension assembly **1812C**, the example fourth suspension assembly **1812D**, the example third wheel **1814C**, and the example fourth wheel **1814D**.

[0157] The battery platform **2302** is a common component shared between different configurations of the chassis **2300**. The example platform **2302** includes a plurality of structural members (e.g., crossmembers, side rails, etc.) and EV batteries. The fifth attachment locators **2332** can be coupled to the corresponding first attachment locators **2308** of the first interchangeable front chassis portion **2304A** or the corresponding second attachment locators **2312** of the second interchangeable front chassis portion **2304B**. The sixth attachment locators **2334** can be coupled to the corresponding third attachment locators **2320** of the first interchangeable rear chassis portion **2306A** or the corresponding fourth attachment locators **2324** of the second interchangeable rear chassis portion **2306B**. In the illustrated example of FIG. **23**, the attachment locators **2308**, **2312**, **2320**, **2324** include protrusions to be received by corresponding apertures of the attachment locators **2332**, **2334** of the battery platform **2302**. In other examples, the attachment locators **2332**, **2334** of the battery platform **2302** include protrusions to be received by the attachment locators **2308**, **2312**, **2320**, **2324**. Additionally or alternatively, the battery platform **2302** can be coupled to a corresponding one of the interchangeable front chassis portions **2304A**, **2304B** and a corresponding one of the interchangeable rear chassis portions **2306A**, **2306B** via additional fastening techniques (e.g., welds, press-fits, chemical adhesives, fasteners, etc.).

[0158] The second interchangeable front chassis portion **2304B** has a comparatively greater width and comparatively

greater length than the first interchangeable front chassis portion **2304A**. In the illustrated example of FIG. **23**, the structural members of the second interchangeable front chassis portion **2304B** (e.g., the crossmembers **2318**, the longitudinal members **2319**, etc.) are longer than the structural members of the first interchangeable front chassis portion **2304A**. In the illustrated example of FIG. **23**, the second interchangeable front chassis portion **2304B** includes the first frame section **2314**, which further contributes to the greater length of the second interchangeable front chassis portion **2304B** compared to the first interchangeable front chassis portion **2304A**. In other examples, the first frame section **2314** is absent.

[0159] The second interchangeable rear chassis portion **2306B** has a comparatively greater width and comparatively greater length than the first interchangeable rear chassis portion **2306A**. In the illustrated example of FIG. **23**, the structural members of the second interchangeable rear chassis portion **2306B** (e.g., the crossmembers **2322**, the longitudinal members **2323**, etc.) are longer than the structural members of the first interchangeable rear chassis portion **2306A**. In the illustrated example of FIG. **23**, the second interchangeable front chassis portion **2304B** includes the second frame section **2326**, which further contributes to the greater length of the second interchangeable front chassis portion **2304B** compared to the first interchangeable rear chassis portion **2306A**. In other examples, the second frame section **2314** is absent.

[0160] Depending on which of the interchangeable front chassis portions **2304A**, **2304B** is coupled to battery platform **2302** and which of the interchangeable rear chassis portions **2306A**, **2306B** is coupled to battery platform **2302**, the width and the length of the chassis **2300** can be changed. While only two sizes of chassis portions are depicted in FIG. **23**, the width and length of the interchangeable chassis assemblies can be designed and manufactured based on the desired width and length of the chassis **2300**. As such, the chassis **2300** supports various width and length configurations depending on which of the interchangeable chassis portions **2304A**, **2304B**, **2306A**, **2306B** is utilized. Two example configurations of the chassis **2300** are described below in conjunction with FIGS. **24A** and **24B**.

[0161] FIG. **24A** is a top view of an example first configuration **2400** of the chassis **2300** of FIG. **23** including the relatively smaller interchangeable chassis portions **2304A**, **2306A**. In the illustrated example of FIG. **24A**, the first configuration **2400** includes the battery platform **2302**, the first interchangeable front chassis portion **2304A**, and the first interchangeable rear chassis portion **2306A**. In the illustrated example of FIG. **24A**, the chassis **2300** has a comparatively small footprint, which makes the first configuration **2400** suitable for smaller vehicles (e.g., compact vehicles, crossovers, etc.).

[0162] FIG. **24B** is a top view of an example second configuration **2402** of the chassis **2300** of FIG. **23** including the relatively larger interchangeable chassis portions **2304B**, **2306B**. In the illustrated example of FIG. **24B**, the first configuration **2402** includes the battery platform **2302**, the second interchangeable front chassis portion **2304B**, and the second interchangeable rear chassis portion **2306B**. In the illustrated example of FIG. **24B**, the chassis **2300** has a comparatively larger footprint, which makes the first configuration **2402** suitable for larger vehicles (e.g., SUVs, pick-up, etc.). The larger platform of second configuration

2402 enables an additional example first side battery array **2404A** and an additional example second side battery array **2404B**. In the illustrated examples of FIGS. **24A** and **24B**, the second configuration **2402** includes additional batteries disposed with the frame sections **2314**, **2326** and within the battery arrays **2316**, **2328**, **2404A**, **2404B**. That is, comparatively larger configurations (e.g., the second configuration **2402**, etc.) of the chassis **2300** enable more batteries to be coupled within the chassis **2300** than comparatively smaller configurations (e.g., the first configuration **2400**, etc.).

[0163] FIG. **25** is a flowchart representative of an example method **2500** to assemble the example chassis **1900**, **2100** of FIGS. **19** and **21**, respectively. The example method **2500** begins at block **2502**, the model of the vehicle associated with the chassis **1900**, **2100** is determined. For example, the model of the vehicle can be determined to be a pick-up truck model, a compact car model, an SUV model, a crossover model, a van model, etc. In some examples, the footprint associated with the determined model is determined.

[0164] At block **2504**, the right front chassis portion **1902** is assembled. For example, the first longitudinal member **1912** (e.g., including the crossmember attachment locators **1916**, **1918**, etc.) and the first flared portion **1914** are coupled to form the right front chassis portion **1902**. In some examples, the first longitudinal member **1912** and the first flared portion **1914** are coupled together via one or more welds. In other examples, the first longitudinal member **1912** and the first flared portion **1914** can be coupled together via any other suitable fastening techniques (e.g., press-fit, a chemical adhesive, etc.). In some examples, the first crossmember attachment locator **1916** and the second crossmember attachment locator **1918** are formed on the first longitudinal member **1912** (e.g., via machining, the fastening on additional parts, etc.). In some examples, the first wheel **1814A** and the first suspension assembly **1812A** are coupled to the first longitudinal member **1912** and/or the first flared portion **1914**. In other examples, the first wheel **1814A** and the first suspension assembly **1812A** are coupled to the right front chassis portion **1902** after the frame of the chassis **1900**, **2100** is assembled.

[0165] At block **2506**, the left front chassis portion **1904** is assembled. For example, the second longitudinal member **1920** (e.g., including the crossmember attachment locators **1924**, **1926**, etc.) and the second flared portion **1922** are coupled to form the left front chassis portion **1904**. In some examples, the second longitudinal member **1920** and the second flared portion **1922** are coupled together via one or more welds. In other examples, the second longitudinal member **1920** and the second flared portion **1922** can be coupled together via any other suitable fastening techniques (e.g., press-fit, a chemical adhesive, etc.). In some examples, the third crossmember attachment locator **1924** and the fourth crossmember attachment locator **1926** are formed on the second longitudinal member **1920** (e.g., via machining, the fastening on additional parts, etc.). In some examples, the second wheel **1814B** and the second suspension assembly **1812B** are coupled to the second longitudinal member **1920** and/or the second flared portion **1922**. In other examples, the second wheel **1814B** and the second suspension assembly **1812B** are coupled to the left front chassis portion **1904** after the frame of the chassis **1900**, **2100** is assembled.

[0166] At block **2508**, the right rear chassis portion **1906** is assembled. For example, the third longitudinal member

1928 (e.g., including the crossmember attachment locators **1931**, **1932**, etc.) and the third flared portion **1930** are coupled to form the right rear chassis portion **1906**. In some examples, the third longitudinal member **1928** and the third flared portion **1930** are coupled together via one or more welds. In other examples, the third longitudinal member **1928** and the third flared portion **1930** can be coupled together via any other suitable fastening techniques (e.g., press-fit, a chemical adhesive, etc.). In some examples, the fifth crossmember attachment locator **1931** and the sixth crossmember attachment locator **1932** are formed on the third longitudinal member **1928** (e.g., via machining, the fastening on additional parts, etc.). In some examples, the third wheel **1814C** and the third suspension assembly **1812C** are coupled to the third longitudinal member **1928** and/or the third flared portion **1930**. In other examples, the third wheel **1814C** and the third suspension assembly **1812C** are coupled to the right rear chassis portion **1906** after the frame of the chassis **1900**, **2100** is assembled.

[0167] At block **2510**, the left rear chassis portion **1908** is assembled. For example, the fourth longitudinal member **1934** (e.g., including the crossmember attachment locators **1938**, **1940**, etc.) and the fourth flared portion **1936** are coupled to form the left rear chassis portion **1908**. In some examples, the fourth longitudinal member **1934** and the fourth flared portion **1936** are coupled together via one or more welds. In other examples, the fourth longitudinal member **1934** and the fourth flared portion **1936** can be coupled together via any other suitable fastening techniques (e.g., press-fit, a chemical adhesive, etc.). In some examples, the seventh crossmember attachment locator **1938** and the eighth crossmember attachment locator **1940** are formed on the fourth longitudinal member **1934** (e.g., via machining, the fastening on additional parts, etc.). In some examples, the fourth wheel **1814D** and the fourth suspension assembly **1812D** are coupled to the fourth longitudinal member **1934** and/or the fourth flared portion **1936**. In other examples, the fourth wheel **1814D** and the fourth suspension assembly **1812D** are coupled to the left rear chassis portion **1908** after the frame of the chassis **1900**, **2100** is assembled.

[0168] At block **2512**, the appropriate crossmembers are selected based on the chassis **1900**, **2100**. For example, if the chassis **1900** is being assembled, an appropriately sized crossmember of the interchangeable crossmembers **1942A**, **1942B**, **1942C**, **1942D** is selected. For example, if the model of the vehicle is a comparatively larger vehicle, the first interchangeable crossmember **1942A** or the second interchangeable crossmember **1942B** can be selected. In other examples, if the model of the vehicle is a smaller vehicle, the third interchangeable crossmember **1942C** or the fourth interchangeable crossmember **1942D** can be selected. If the chassis **2100** is being assembled, the adjustable crossmember(s) **2102** are selected.

[0169] At block **2514**, it is determined if the crossmembers selected are adjustable. For example, if the adjustable crossmember(s) **2102** is selected, the method **2500** advances to block **2516**. If the ones of the interchangeable crossmembers **1942A**, **1942B**, **1942C**, **1942D** were selected, the method advances to block **2518**.

[0170] At block **2516**, the length of the adjustable crossmember(s) **2102** is adjusted based on the model of the vehicle. For example, if the adjustable crossmember(s) **2102** are implemented by the adjustable structural member **2200** of FIG. **22A**, the position of the outer sleeves **2204A**, **2204B**

relative to the inner rail **2202** can be adjusted such that the adjustable crossmember(s) **2102** has the desired length. In other examples, if the adjustable crossmember(s) **2102** are implemented by the adjustable structural member **2206** of FIG. **22B**, the relative position of the inner rails **2208A**, **2208B**, and outer rails **2210A**, **2210B** can be adjusted until the adjustable crossmember(s) **2102** has the desired length. Additionally or alternatively, the length of the adjustable crossmember(s) **2102** can be adjusted by any other suitable means.

[0171] At block **2518**, the front chassis portions **1902**, **1904** are coupled together via the selected crossmembers. For example, if the chassis **1900** is being assembled, the selected one(s) of the interchangeable crossmembers **1942A**, **1942B**, **1942C**, **1942D** are coupled to the front chassis portions **1902**, **1904** via the crossmember attachment locator(s) **1916**, **1918**, **1924**, **1926**. For example, if the chassis **2100** is being assembled, the adjustable crossmember(s) **2102** are coupled to the front chassis portions **1902**, **1904** via the crossmember attachment locator(s) **1916**, **1918**, **1924**, **1926**. In some examples, apertures of the selected crossmembers (e.g., ones of the interchangeable crossmembers **1942A**, **1942B**, **1942C**, **1942D**, the adjustable crossmember(s) **2102**, etc.) receive corresponding protrusions of the crossmember attachment locator(s) **1916**, **1918**, **1924**, **1926**. In such examples, the protrusions of the crossmember attachment locator(s) **1916**, **1918**, **1924**, **1926** frictionally engage the apertures of the selected crossmembers. Additionally or alternatively, the selected crossmembers can be fixedly attached to the front chassis portions **1902**, **1904** via one or more fastening techniques (e.g., welds, fasteners, chemical adhesives, etc.).

[0172] At block **2520**, the rear chassis portions **1906**, **1908** are coupled together via the crossmembers **1801C**, **1801D**. For example, if the chassis **1900** is being assembled, the selected one(s) of the interchangeable crossmembers **1942A**, **1942B**, **1942C**, **1942D** are coupled to the rear chassis portions **1906**, **1908** via the crossmember attachment locators **1931**, **1932**, **1938**, **1940**. For example, if the chassis **2100** is being assembled, the adjustable crossmember(s) **2102** are coupled to the rear chassis portions **1906**, **1908** via the crossmember attachment locators **1931**, **1932**, **1938**, **1940**. In some examples, apertures of the selected crossmembers (e.g., ones of the interchangeable crossmembers **1942A**, **1942B**, **1942C**, **1942D**, the adjustable crossmember(s) **2102**, etc.) receive corresponding protrusions of the crossmember attachment locators **1931**, **1932**, **1938**, **1940**. In such examples, the protrusions of the crossmember attachment locators **1931**, **1932**, **1938**, **1940** frictionally engage the apertures of the selected crossmembers. Additionally or alternatively, the selected crossmembers can be fixedly attached to the rear chassis portions **1906**, **1908** via one or more fastening techniques (e.g., welds, fasteners, chemical adhesives, etc.).

[0173] At block **2522**, the appropriate side rail(s) are selected based on the chassis **1900**, **2100**. For example, if the chassis **1900** is being assembled, appropriately sized side rail(s) of the interchangeable side rails **1960A**, **1960B**, **1960C**, **1960D** is selected. For example, if the model of the vehicle is a comparatively larger vehicle, the first interchangeable side rail **1960A** or the second interchangeable side rail **1960B** can be selected. In other examples, if the model of the vehicle is a smaller vehicle, the third interchangeable side rail **1960C** or the fourth interchangeable

side rail **1960D** can be selected. If the chassis **2100** is being assembled, the adjustable side rail(s) **2104** are selected.

[0174] At block **2524**, it is determined if the side rail(s) selected are adjustable. For example, if the adjustable side rails (s) **2104** is selected, the method **2500** advances to block **2526**. If the ones of the interchangeable side rails **1960A**, **1960B**, **1960C**, **1960D** are selected, the method advances to block **2530**.

[0175] At block **2526**, the length of the adjustable side rail(s) **2104** is adjusted based on the model of the vehicle. For example, if the adjustable side rail(s) **2104** are implemented by the adjustable structural member **2200** of FIG. **22A**, the position of the outer sleeves **2204A**, **2204B** relative to the inner rail **2202** can be adjusted such that the adjustable side rail(s) **2104** have the desired length. In other examples, if the adjustable side rail(s) **2104** are implemented by the adjustable structural member **2206** of FIG. **22B**, the relative position of the inner rails **2208A**, **2208B**, and outer rails **2210A**, **2210B** can be adjusted until the adjustable side rail(s) **2104** have the desired length. Additionally or alternatively, the length of the adjustable side rail(s) **2104** can be adjusted by any other suitable means.

[0176] At block **2528**, the right front chassis portion **1902** is coupled to the right rear chassis portion **1906** via the side rails **1802A**, **1802B**. For example, if the chassis **1900** is being assembled, the selected one(s) of the interchangeable side rails **1960A**, **1960B**, **1960C**, **1960D** are coupled to the right chassis portions **1902**, **1906** via the side rail attachment locator(s) **1944**, **1946**, **1952**, **1954**. For example, if the chassis **2100** is being assembled, the adjustable side rail(s) **2104** are coupled to the right chassis portions **1902**, **1906** via the side rail attachment locator(s) **1944**, **1946**, **1952**, **1954**. In some examples, apertures of the selected side rails (e.g., ones of the interchangeable side rails **1960A**, **1960B**, **1960C**, **1960D**, the adjustable side rail(s) **2104**, etc.) receive corresponding protrusions of the side rail attachment locator(s) **1944**, **1946**, **1952**, **1954**. In such examples, the protrusions of the side rail attachment locator(s) **1944**, **1946**, **1952**, **1954** frictionally engage the apertures of the selected side rails. Additionally or alternatively, the selected side rails can be fixedly attached to the right chassis portions **1902**, **1906** via one or more fastening techniques (e.g., welds, fasteners, chemical adhesives, etc.).

[0177] At block **2530**, the left front chassis portion **1904** is coupled to the left rear chassis portion **1908** via the side rails **1802C**, **1802D**. For example, if the chassis **1900** is being assembled, the selected one(s) of the interchangeable side rails **1960A**, **1960B**, **1960C**, **1960D** are coupled to the left chassis portions **1904**, **1908** via the side rail attachment locator(s) **1948**, **1950**, **1956**, **1958**. For example, if the chassis **2100** is being assembled, the adjustable side rail(s) **2104** are coupled to the left chassis portions **1904**, **1908** via the side rail attachment locator(s) **1948**, **1950**, **1956**, **1958**. In some examples, apertures of the selected side rails (e.g., ones of the interchangeable side rails **1960A**, **1960B**, **1960C**, **1960D**, the adjustable side rail(s) **2104**, etc.) receive corresponding protrusions of the side rail attachment locator(s) **1948**, **1950**, **1956**, **1958**. In such examples, the protrusions of the side rail attachment locator(s) **1948**, **1950**, **1956**, **1958** frictionally engage the apertures of the selected side rails. Additionally or alternatively, the selected side rails can be fixedly attached to the left chassis portions **1904**, **1908** via one or more fastening techniques (e.g., welds, fasteners, chemical adhesives, etc.). The method **2500** ends.

[0178] FIG. **26** is a perspective view of an example chassis **2600** in which the teachings of this disclosure can be implemented. The example chassis **2600** includes an example frame **2602**. In the illustrated example of FIG. **26**, the chassis **2600** includes an example front chassis portion **2404**, an example rear chassis portion **2606**, and an example battery platform **2608**. The example battery platform **2608** includes an example central battery array **2610**, an example first side battery array **2612A**, and a second side battery array **2612B**. The example chassis **2600** includes an example first wheel **2614A**, an example second wheel **2614B**, an example third wheel **2614C**, and an example fourth wheel **2614D**. The example front chassis portion **2604** includes an example first crossmember **2616**, an example second crossmember **2618**, an example first longitudinal member **2620**, and an example second longitudinal member **2622**, which collectively define an example first cavity **2624**. The example rear chassis portion **2606** includes an example third crossmember **2626**, an example fourth crossmember **2628**, an example third longitudinal member **2630**, and an example fourth longitudinal member **2632**, which collectively define an example second cavity **2634**.

[0179] The battery platform **2608** includes the battery arrays **2610**, **2612A**, **2612B**. The batteries of the battery arrays **2610**, **2612A**, **2612B** are EV batteries. The batteries of the battery arrays **2610**, **2612A**, **2612B** provide power to electric motors coupled to the chassis **2600**. In other examples, if the chassis **2600** is associated with a hybrid vehicle, the batteries of the battery arrays **2610**, **2612A**, **2612B** supplement the power generated by a combustion engine of the chassis **2600**. In some examples, additional batteries are disposed within the chassis **2600** (e.g., in the front chassis portion **2604**, in the rear chassis portion **2606**, etc.). In such examples, the additional batteries can improve the performance of the vehicle associated with the chassis **2600** (e.g., improved range, greater power available for the engine, etc.). In some examples, the central battery arrays **2610** and/or one or both of the side battery arrays **2612A**, **2612B** are absent (e.g., in examples with two side rails, etc.).

[0180] The wheels **2614A**, **2614B**, **2614C**, **2614D** can be coupled to the chassis **2600** after corresponding component (s) (e.g., axles, the suspension assemblies, etc.) of the chassis **2600** are coupled to the frame **2602**. In some examples, the type of the wheel **2614A**, **2614B**, **2614C**, **2614D** (e.g., tread type, wheel diameter, wheel width, etc.) can be selected based on the type and/or model of the vehicle associated with the chassis **2600**. Additionally or alternatively, the type and/or size of the wheels **2614A**, **2614B**, **2614C**, **2614D** can be selected based on properties of the chassis **2600** (e.g., the length of the longitudinal members **2620**, **2622**, **2630**, **2632**).

[0181] The crossmembers **2616**, **2618**, **2626**, **2628** extend generally laterally between the driver and passenger sides of the chassis **2600**. The crossmembers **2616**, **2618**, **2626**, **2628** increase the strength of the chassis **2600** and protect vehicle components. In some examples, the crossmembers **2616**, **2618**, **2626**, **2628** include additional features (e.g., bolt holes, weld surfaces, etc.) that enable additional vehicle components to be coupled thereto. In the illustrated example of FIG. **26**, the chassis **2600** includes four crossmembers (e.g., the crossmembers **2616**, **2618**, **2626**, **2628**, etc.). In other examples, the chassis **2600** includes a different quantity of crossmembers (e.g., two cross members, four cross members, etc.). The crossmembers **2616**, **2618**, **2626**, **2628**

can be composed of steel, aluminum, and/or any other suitable material(s). The first longitudinal member 2620 and the second longitudinal member 2622 extend longitudinally between the first crossmember 2616 and second crossmember 2618. The third longitudinal member 2630 and fourth longitudinal members 2632 extend longitudinally between the third crossmember 2626 and fourth crossmember 2628. The longitudinal members 2620, 2622, 2630, 2632 can be composed of steel, aluminum, and/or any other suitable material(s). In some examples, the longitudinal members 2620, 2622, 2630, 2632 can include features that enable suspension components to be coupled thereto.

[0182] The cavities 2624, 2634 are areas of the chassis 2600 in which powertrain components, drivetrain components, and/or suspension components can be coupled. In the illustrated example of FIG. 26, the first cavity 2624 is defined by the first crossmember 2616, the second crossmember 2618, the first longitudinal member 2620, and the second longitudinal member 2622. In the illustrated example of FIG. 26, the second cavity 2634 is defined the third crossmember 2626, the fourth crossmember 2628, the third longitudinal member 2630, and the fourth longitudinal member 2632. In some examples, the crossmembers 2616, 2618, 2626, 2628 and/or the longitudinal members 2620, 2622, 2630, 2632 can include features (e.g., weld surfaces, apertures, brackets, bushings, etc.) that enable powertrain components, drivetrain components, and/or suspension components to be coupled with the corresponding one of the cavities 2624, 2634. In the illustrated example of FIG. 26, the cavities 2624, 2634 are of substantially the same size. In other examples, the first cavities 2624 and the second cavity 2634 have different sizes. The coupling of components of the interchangeable performance packages 2700, 2714, 2728 within the first cavity 2624 and/or the second cavity 2634 is described in greater detail below in conjunction with FIG. 28.

[0183] FIG. 27A is a perspective view of an example first interchangeable performance package 2700. In the illustrated example of FIG. 27A, the first interchangeable performance package 2700 includes an example first electric motor 2702 that includes an example first motor mounting feature 2704A and an example second motor mounting feature 2704B. In the illustrated example of FIG. 27A, the first interchangeable performance package 2700 includes an example first suspension assembly 2706A and an example second suspension assembly 2706B. In the illustrated example of FIG. 27A, the suspension assemblies 2706A, 2706B include an example first elastic member 2708A and an example second elastic member 2708B, respectively. In the illustrated example of FIG. 27A, the suspension assemblies 2706A, 2706B include an example first wheel mounting feature 2710A and an example second wheel mounting feature 2710B, respectively. In the illustrated example of FIG. 27A, the suspension assemblies 2706A, 2706B include an example first frame mounting feature 2712A and an example second frame mounting feature 2712B, respectively.

[0184] FIG. 27B is a perspective view of an example second interchangeable performance package 2714. In the illustrated example of FIG. 27B, the second interchangeable performance package 2714 includes an example second electric motor 2716 that includes an example third motor mounting feature 2718A and an example fourth motor mounting feature 2718B. In the illustrated example of FIG.

27B, the second interchangeable performance package 2714 includes an example third suspension assembly 2720A and an example fourth suspension assembly 2720B. In the illustrated example of FIG. 27B, the suspension assemblies 2720A, 2720B include an example third elastic member 2722A and an example fourth elastic member 2722B, respectively. In the illustrated example of FIG. 27B, the suspension assemblies 2720A, 2720B include an example third wheel mounting feature 2724A and an example fourth wheel mounting feature 2724B, respectively. In the illustrated example of FIG. 27B, the suspension assemblies 2720A, 2720B include an example third frame mounting feature 2726A and an example fourth frame mounting feature 2726B, respectively.

[0185] FIG. 27C is a perspective view of an example third interchangeable performance package 2728. In the illustrated example of FIG. 27C, the third interchangeable performance package 2728 includes an example third electric motor 2730 that includes an example fifth motor mounting feature 2732A and an example sixth motor mounting feature 2732B. In the illustrated example of FIG. 27C, the third interchangeable performance package 2728 includes an example fifth suspension assembly 2734A and an example sixth suspension assembly 2734B. In the illustrated example of FIG. 27C, the suspension assemblies 2734A, 2734B include an example fifth elastic member 2736A and an example sixth elastic member 2736B, respectively. In the illustrated example of FIG. 27C, the suspension assemblies 2734A, 2734B include an example fifth wheel mounting feature 2740A and an example sixth wheel mounting feature 2740B, respectively. In the illustrated example of FIG. 27C, the suspension assemblies 2734A, 2734B include an example second frame mounting feature 2742A and an example sixth frame mounting feature 2742B, respectively.

[0186] The first interchangeable performance package 2700 includes features that make the first interchangeable performance package 2700 suitable for a passenger vehicle. In the illustrated example of FIG. 27A, the electric motor 2702 has performance characteristics that make the electric motor 2702 suitable for use on streets and/or highways. Similarly, the suspension assemblies 2706A, 2706B have characteristics that make them more suitable for consumer comfort (e.g., comparatively less stiff elastic members, progressive spring rates, neutral camber, neutral caster, etc.).

[0187] The second interchangeable performance package 2714 includes features that make the second interchangeable performance package 2714 suitable for heavier consumer and/or commercial vehicles. In the illustrated example of FIG. 27B, the electric motor 2716 has performance characteristics that make the electric motor 2716 suitable for use on rough terrain and/or hauling larger loads (e.g., comparatively high torque, comparative high horsepower, etc.). Similarly, the suspension assemblies 2720A, 2720B have characteristics that make them more suitable for use with comparatively higher loads and/or use on uneven terrain (e.g., comparatively less stiff elastic members, greater travel, greater load capacity, progressive spring rates, positive camber, neutral caster, etc.).

[0188] The third interchangeable performance package 2728 includes features that make the performance package 2710 suitable for a sports vehicle. In the illustrated example of FIG. 27C, the electric motor 2716 has performance characteristics that make the electric motor 2716 suitable for use on a smooth uniform surface (e.g., comparatively high

horsepower, comparatively high torque, etc.) Similarly, the suspension assemblies **2720A**, **2720B** have characteristics that make them more suitable for use with a comparatively light vehicle on a smooth surface (e.g., comparatively more stiff elastic members, low travel, linear spring rates, negative camber, positive caster, etc.).

[0189] The electric motors **2702**, **2716**, **2730** are powertrain components that transform electric power from batteries into mechanical energy and can be used to drive the wheels of a vehicle (e.g., the wheels **2614A**, **2614B**, **2614C**, **2614C**, etc.). As described above, the electric motors **2702**, **2716**, **2730** have different performance characteristics. That is, the electric motor **2702** has lower torque and horsepower than the electric motors **2716**, **2730**. The electric motor **2716** has higher torque than the electric motors **2702**, **2730** and similar horsepower to the electric motor **2730**. The electric motor **2730** has higher horsepower than the electric motor **2702** and similar horsepower to the electric motor **2730**.

[0190] The elastic members **2708A**, **2708B**, **2722A**, **2722B**, **2736A**, **2736B** include at least one spring and/or damper to deflect in response to a load (e.g., increased, decreased load on the vehicle, from uneven terrain, etc.) being applied to the corresponding one(s) of the suspension assemblies **2706A**, **2706B**, **2720A**, **2720B**, **2734A**, **2734B**. In some examples, the elastic members **2708B**, **2722A**, **2722B**, **2736A**, **2736B** can include hydraulic and/or electromagnetic dampers. As described above, the corresponding sets of elastic members **2708A**, **2708B**, **2722A**, **2722B**, **2736A**, **2736B** of the suspension assemblies **2706A**, **2706B**, **2720A**, **2720B**, **2734A**, **2734B** have different stiffnesses, damping properties, and load capacities. That is, the elastic members **2708A**, **2708B** are generally configured for passenger vehicles (e.g., comparatively less stiff, etc.). The elastic members **2722A**, **2722B** are generally configured for commercial vehicles (e.g., comparatively less stiffness, comparatively higher damping, comparatively higher travel, comparatively higher capacity, etc.). The elastic members **2736A**, **2736B** are generally configured for performance vehicles (e.g., comparatively greater stiffness, comparatively lower travel, comparatively lower capacity, etc.). Additionally or alternatively, the elastic members (e.g., the elastic members **2736A**, **2736B**, etc.) associated with the higher performance packages (e.g., the third interchangeable performance package **2728**, etc.) can include linear spring rates and the elastic members associated with passenger and/or commercial vehicles (e.g., the elastic members **2708A**, **2708B**, **2722A**, **2722B**, etc.) can include progressive spring rates. The suspension assemblies **2706A**, **2706B**, **2720A**, **2720B**, **2734A**, **2734B** are additionally configured to receive corresponding wheels at different caster angles and camber angles. That is, in the illustrated examples of FIGS. **27A-27C**, the suspension assemblies **2706A**, **2706B**, **2720A**, **2720B** are configured to receive wheels at a positive cambers and neutral camber and the suspension assemblies **2734A**, **2734B** are configured to receive wheels at a negative camber and a positive caster.

[0191] While only the three interchangeable performance packages **2700**, **2714**, **2728** are described in conjunction with FIGS. **27A-27C**, other performance package configurations are possible. For example, another example performance package for lighter off-road vehicles includes a comparatively powerful electric motor (e.g., second electric motor **2716** and/or the third electric motor **2730**, etc.) and comparatively less stiff suspension assemblies (e.g., the

suspension assemblies **2706A**, **2706B**). In other examples, other performance packages can include any suitable combination of components.

[0192] FIG. **28** is a perspective view of the example chassis **2600** of FIG. **26** and the interchangeable performance packages **2700**, **2714**, **2728** of FIG. **27A-27C**. In the illustrated example of FIG. **28**, an example first performance package **2802** is coupled to the front chassis portion **2604**, and an example second performance package **2804** is coupled to the rear chassis portion **2606**. In the illustrated example of FIG. **28**, the first performance package **2802** and the second performance package **2804** can be implemented by the first performance package **2700**, the second interchangeable performance package **2714**, and/or the third interchangeable performance package **2728**.

[0193] The corresponding motor mounting features of the interchangeable performance packages **2700**, **2714**, **2728** (e.g., the motor mounting features **2704A**, **2704B** of the first performance package **2700**, the motor mounting features **2718A**, **2718B** of the second interchangeable performance package **2714**, the motor mounting features **2732A**, **2732B** of the third interchangeable performance package **2728**, etc.) can be coupled to the inboard surfaces of the corresponding ones of the longitudinal members **2620**, **2622**, **2630**, **2632** via one or more of fastening techniques(s), thereby coupling the corresponding electric motors **2702**, **2716**, **2730** within the corresponding ones of the cavities **2624**, **2634**. For example, the corresponding mounting features **2704A**, **2704B**, **2718A**, **2718B**, **2732A**, **2732B** can be implemented by one or more bushings that receive corresponding inboard protrusions extending from the longitudinal members **2620**, **2622**, **2630**, **2632**, which damp vibration generated by the corresponding electric motors **2702**, **2716**, **2730**. In other examples, the corresponding motor mounting features **2704A**, **2704B**, **2718A**, **2718B**, **2732A**, **2732B** can be implemented by outboard extending features to be received by bushings associated with the longitudinal members **2620**, **2622**, **2630**, **2632**, which damp vibration generated by the corresponding electric motors **2702**, **2716**, **2730**. Additionally or alternatively, the motor mounting features **2704A**, **2704B**, **2718A**, **2718B**, **2732A**, **2732B** of the electric motors **2702**, **2716**, **2730** can be coupled to the corresponding longitudinal members **2620**, **2622**, **2630**, **2632** via any fastening technique (e.g., a fastener, a weld, a chemical adhesive, a press-fit, etc.) or combination thereof.

[0194] The corresponding suspension assemblies of the interchangeable performance packages **2700**, **2714**, **2728** (e.g., the suspension assemblies **2706A**, **2706B** of the first interchangeable performance package **2700**, the suspension assemblies **2720A**, **2720B** of the second interchangeable performance package **2714**, the suspension assemblies **2734A**, **2734B** of the third interchangeable performance package **2728**, etc.) can be coupled to the corresponding outboard surfaces of the longitudinal members **2620**, **2622**, **2630**, **2632** via fastening techniques(s) (e.g., a fastener, a weld, a chemical adhesive, a press-fit, etc.) and via the respective ones of the frame mounting features **2712A**, **2712B**, **2726A**, **2726B**, **2742A**, **2742B**, etc.

[0195] The wheels **2614A**, **2614B**, **2614C**, **2614D** can be coupled to the corresponding ones of the wheel mounting features of the interchangeable performance packages **2714**, **2728** (e.g., the wheel mounting features **2710A**, **2710B** of the first performance package **2700**, the wheel mounting features **2724A**, **2724B** of the second interchangeable per-

formance package 2714, the wheel mounting features 2740A, 2740B of the third interchangeable performance package 2728, etc.). In some examples, the wheel mounting features 2710A, 2710B, 2724A, 2724B, 2740A, 2740B can be implemented by a wheel hub, which includes protrusions to be received by corresponding apertures of the wheels 2614A, 2614B, 2614C, 2614D. In other examples, the wheel mounting features 2710A, 2710B, 2724A, 2724B, 2740A, 2740B can be implemented by any other suitable means.

[0196] Each of the interchangeable performance packages 2700, 2714, 2728 are couplable to the chassis 2600. As such, the chassis 2600 supports various performance configurations with only the changing of the performance packages 2802, 2804 to be different ones of the interchangeable performance packages 2700, 2714, 2728. Accordingly, the chassis 2600 can be easily configured to support different vehicle models and/or types, which increases the ease of manufacturing and assembly by reducing the total number of unique parts used between vehicles. When combined with the other teachings of this disclosure (e.g., the scalable chassis 1900 of FIG. 19, the scalable chassis 2300 of FIG. 23, etc.), disparate vehicle types (e.g., pick-up trucks and compacts, etc.) can be implemented to share chassis with similar designs and a comparatively large number of common parts. In the illustrated example of FIG. 28, the performance packages 2802, 2804 are implemented by a same one of the interchangeable performance packages 2700, 2714, 2728. In other examples, the first performance package 2802 can be implemented by a different one of the second performance package 2804 (e.g., the first performance package 2802 implemented by the first interchangeable performance package 2700 and the second performance package 2804 implemented by the second interchangeable performance 2714, etc.).

[0197] FIG. 29 is a flowchart representative of an example method 2900 to assemble the example chassis of FIGS. 26 and 28 with one of the interchangeable performance packages of FIGS. 27A-27C. At block 2902, the model of the vehicle associated with the chassis 2600 is determined. For example, the model of the vehicle can be determined to be a pick-up truck model, a compact model, an SUV model, a crossover model, a van model, etc. In some examples, the desired performance characteristics (e.g., engine torque, engine power, suspension characteristics is determined).

[0198] At block 2904, one of the interchangeable performance packages 2700, 2714, 2718 is selected based on the determined model of the vehicle. For example, if the model of the vehicle is a passenger model, the first interchangeable performance package 2700 is selected. If the model of the vehicle is a hauling model, the second interchangeable performance package 2714 is selected. If the model of the vehicle is a performance model, the third interchangeable performance package 2728 is selected. In other examples, other suitable performance packages can be selected based on the model. In some examples, multiple performance packages can be selected. In such examples, the selected performance packages can be coupled to different portions of the chassis 2600 (e.g., the first interchangeable performance package 2700 may be coupled within the first cavity 2624, the second performance package coupled within the second cavity 2634, etc.).

[0199] At block 2906, the electric motor(s) of the selected performance package is coupled within the chassis cavity. For example, instances of the corresponding electric motor

of the selected performance package (e.g., the first electric motor 2702 of the first interchangeable performance package 2700, the second electric motor 2716 of the second interchangeable performance package 2714, the third electric motor 2730 of the third performance package, etc.) can be coupled within the first cavity 2624 of the chassis 2600 and the second cavity 2634 via the corresponding motor mounting features (e.g., the first motor mounting feature 2704A and the second motor mounting feature 2704B of the first interchangeable performance package 2700, the third motor mounting feature 2718A and the fourth motor mounting feature 2718B of the second interchangeable performance package 2714, the fifth motor mounting feature 2732A and the sixth motor mounting feature 2732B of the third interchangeable performance package 2728, etc.). In some examples, the corresponding motor mounting features 2704A, 2704B, 2718A, 2718B, 2732A, 2732B can be coupled to inboard surfaces of cavities 2624, 2634 via bushing connections. In other examples, the corresponding motor mounting features 2704A, 2704B, 2718A, 2718B, 2732A, 2732B can be coupled to inboard surfaces of the cavities 2624, 2634 via any other suitable fastening technique (e.g., a press-fit, a weld, a chemical adhesive, a fastener, etc.).

[0200] At block 2908, the suspension assemblies of the selected performance packages are coupled to chassis 2600 via the corresponding frame mounting features. For example, instances of the corresponding suspension assemblies of the selected performance package (e.g., the first suspension assembly 2706A and the second suspension assembly of the first interchangeable performance package 2700, the third suspension assembly 2720A and the fourth suspension assembly 2720B of the second interchangeable performance package 2714, the fifth suspension assembly 2734A and the sixth suspension assembly 2734B of the third interchangeable performance package 2728, etc.) can be coupled to the chassis 2600 via the corresponding frame mounting features (e.g., the first frame mounting feature 2712A and the second frame mounting feature 2712B of the first interchangeable performance package 2700, the third frame mounting feature 2726A and the fourth frame mounting feature 2726B of the second interchangeable performance package 2714, the fifth frame mounting feature 2742A and the sixth frame mounting feature 2742B of the third interchangeable performance package 2728, etc.). In some examples, the corresponding frame mounting features 2712A, 2712B, 2726A, 2726B, 2742A, 2742B can be coupled to outboard surfaces of corresponding ones of the longitudinal members 2620, 2622, 2630, 2632 via any other suitable fastening technique (e.g., a press-fit, a weld, a chemical adhesive, a fastener, etc.).

[0201] At block 2910, the wheels 2614A, 2614B, 2614C, 2614D are coupled to the suspension assemblies. For example, the wheels 2614A, 2614B, 2614C, 2614D can be coupled to the corresponding wheel mounting features (e.g., the first wheel mounting feature 2710A and the second wheel mounting feature 2710B of the first interchangeable performance package 2700, the third wheel mounting feature 2724A and the fourth wheel mounting feature 2724B of the second interchangeable performance package 2714, the fifth wheel mounting feature 2740A and the sixth wheel mounting feature 2740B of the third interchangeable performance package 2728, etc.). In some examples, the corresponding wheel mounting features 2710A, 2710B, 2724A,

2724B, 2740A, 2740B can be implemented via wheel hub, which can receive corresponding apertures of the wheels 2614A, 2614B, 2614C, 2614D. In other examples, the wheels 2614A, 2614B, 2614C, 2614D can be coupled to the corresponding suspension assemblies 2706A, 2706B, 2720A, 2720B, 2734A, 2734B via any other suitable fastening technique. The method 2900 ends.

[0202] FIGS. 30A-35 depict alternative vehicle chassis that may be used to implement the teachings of this disclosure that are similar to those described with reference FIGS. 30A-35. When the same reference number is used in connection with FIGS. 30A-35 as used in FIGS. 26-29, it has the same meaning unless indicated otherwise.

[0203] FIG. 30A is a perspective view of an example interchangeable first subframe 3000 including the first interchangeable performance package 2700 of FIG. 27A. In the illustrated example of FIG. 30A, the first interchangeable subframe 3000 includes an example first crossmember 3004, an example second crossmember 3006, an example first side rail 3008, and an example second side rail 3010. In the illustrated example of FIG. 30, the first interchangeable performance package 2700 is coupled to the first crossmember 3004, the second crossmember 3006, the first side rail 3008, and the second side rail 3010. For example, the first electric motor 2702 is coupled to an inboard surface of the first side rail 3008 and the second side rail 3010 via the first motor mounting feature 2704A and the second motor mounting feature 2704B, respectively. The example suspension assembly 2706A is coupled to an example first wheel 3012 via the example first wheel mounting feature 2710A and is coupled to an outboard surface of the side rail 3008 via the example first frame mounting feature 2712A. The example suspension assembly 2706B is coupled to an example second wheel 3014 via the example second wheel mounting feature 2710B and is coupled to an outboard surface of the side rail 3008 via the example second frame mounting feature 2712B.

[0204] FIG. 30B is a perspective view of an example second interchangeable subframe 3016 including the second interchangeable performance package 2714 of FIG. 27B. The example second interchangeable subframe 3016 includes the example first crossmember 3004 of FIG. 30A, the example second crossmember 3006 of FIG. 30A, the example first side rail 3008 of FIG. 30A, and the example second side rail 3010 of FIG. 30A. In the illustrated example of FIG. 30B, the second interchangeable performance package 2714 is coupled to the first crossmember 3004, the second crossmember 3006, the first side rail 3008, and the second side rail 3010. For example, the second electric motor 2716 is coupled to an inboard surface of the first side rail 3008 and the second side rail 3010 via the third motor mounting feature 2718A and the fourth motor mounting feature 2718B, respectively. The example third suspension assembly 2720A is coupled to the first wheel 3012 of FIG. 30A via the example third wheel mounting feature 2724A and is coupled to an outboard surface of the side rail 3008 via the example third frame mounting feature 2726A. The example fourth suspension assembly 2720B is coupled to the second wheel 3014 of FIG. 30B via the example fourth wheel mounting feature 2724B and is coupled to an outboard surface of the side rail 3008 via the example fourth frame mounting feature 2726B.

[0205] FIG. 30C is a perspective view of an example third interchangeable subframe 3018 including the third inter-

changeable performance package 2728 of FIG. 27C. The example third interchangeable subframe 3018 includes the example first crossmember 3004 of FIG. 30A, the example second crossmember 3006 of FIG. 30A, the example first side rail 3008 of FIG. 30A, and the example second side rail 3010 of FIG. 30A. In the illustrated example of FIG. 30C, the third interchangeable performance package 2728 is coupled to the first crossmember 3004, the second crossmember 3006, the first side rail 3008, and the second side rail 3010. For example, the third electric motor 2730 is coupled to an inboard surface of the first side rail 3008 and the second side rail 3010 via the fifth motor mounting feature 2732A and the sixth motor mounting feature 2732B, respectively. The example suspension assembly 2734A is coupled to the first wheel 3012 of FIG. 30A via the example fifth wheel mounting feature 2740A and is coupled to an outboard surface of the side rail 3008 via the example frame mounting feature 2742A. The example suspension assembly 2734B is coupled to the second wheel 3014 of FIG. 30B via the example sixth wheel mounting feature 2740B and is coupled to an outboard surface of the side rail 3008 via the example sixth frame mounting feature 2742B.

[0206] In the illustrated example of FIGS. 30A-30C, the interchangeable performance packages 2700, 2714, 2728 of FIGS. 27A-27C are components of corresponding interchangeable subframes 3000, 3016, 3018. The interchangeable subframes 3000, 3016, 3018 include common structural members (e.g., the first crossmember 3004, the second crossmember 3006, the first side rail 3008, the second side rail 3010, etc.).

[0207] The motor mounting features 2704A, 2704B, 2718A, 2718B, 2732A, 2732B of the corresponding interchangeable performance packages 2700, 2714, 2728 are coupled to internal faces of the side rails 3008, 3010 of the corresponding interchangeable subframes 3000, 3016, 3018. In some examples, the corresponding motor mounting features 2704A, 2704B, 2718A, 2718B, 2732A, 2732B can be implemented by bushings which receive corresponding inboard protrusions extending from the side rails 3008, 3010, which damp vibration generated by the respectively electric motors 2702, 2716, 2730. In other examples, the corresponding motor mounting features 2704A, 2704B, 2718A, 2718B, 2732A, 2732B can be implemented by outboard extending features to be received by bushings associated with the crossmembers 3004, 3006 and/or side rails 3008, 3010 which damp vibration generated by the electric motors 2702, 2716, 2730. In other examples, the corresponding motor mounting features 2704A, 2704B, 2718A, 2718B, 2732A, 2732B can be coupled to the corresponding side rails 3008, 3010 via any fastening technique (e.g., a fastener, a weld, a chemical adhesive, a press-fit, etc.) or combination thereof.

[0208] In the illustrated example of FIG. 30A-30C, the suspension assemblies 2706A, 2706B, 2720A, 2720B, 2734A, 2734B are coupled to outboard surfaces of the side rails 3008, 3010 via corresponding ones of the frame mounting features 2712A, 2712B, 2726A, 2726B, 2742A, 2742B. The corresponding frame mounting features 2712A, 2712B, 2726A, 2726B, 2742A, 2742B can be coupled to the corresponding side rails 3008, 3010 via any fastening technique (e.g., a fastener, a weld, a chemical adhesive, a press-fit, etc.) or combination thereof. In the illustrated example of FIG. 30A-30C, the suspension assemblies 2706A, 2706B, 2720A, 2720B, 2734A, 2734B are coupled to the wheels 3012, 3014

via corresponding ones of the wheel mounting features 2710A, 2710B, 2724A, 2724B, 2740A, 2740B. The corresponding wheel mounting features 2710A, 2710B, 2724A, 2724B, 2740A, 2740B can be implemented by a wheel hub, which includes protrusions to be received by corresponding apertures of the wheels 3012, 3014. In other examples, the wheel mounting features 2710A, 2710B, 2724A, 2724B, 2740A, 2740B can be implemented by any other suitable means.

[0209] FIG. 31 is a perspective view of an example vehicle chassis 3100 including features to receive the interchangeable subframes 3000, 3016, 3018 of FIG. 30A-30C. The interchangeable subframes 3000, 3016, 3018 are couplable within the first cavity 2624 of the front chassis portion 2604. For example, the first crossmember 3004, the second crossmember 3006, the first side rail 3008, and the second side rail 3010 of one of the interchangeable subframes 3000, 3016, 3018 can be coupled to a corresponding structural member of the chassis 3100. For example, the first crossmember 3004 of one of the interchangeable subframes 3000, 3016, 3018 can be coupled to the crossmember 2616 of the chassis 3100 via one or more fastening techniques (e.g., a fastener, a weld, a chemical adhesive, a press-fit, etc.) or combination thereof. In some examples, the second crossmember 3006 of one of the interchangeable subframes 3000, 3016, 3018 can be coupled the second crossmember 2618 of the chassis 3100 via one or more fastening techniques (e.g., a fastener, a weld, a chemical adhesive, a press-fit, etc.) or combination thereof. In some examples, the first side rail 3008 of one of the interchangeable subframes 3000, 3016, 3018 can be coupled the first longitudinal member 2620 of the chassis 3100 via one or more fastening techniques (e.g., a fastener, a weld, a chemical adhesive, a press-fit, etc.) or combination thereof. In some examples, the second side rail 3010 of one of the interchangeable subframes 3000, 3016, 3018 can be coupled the second longitudinal member 2622 of the chassis 3100 via one or more fastening techniques (e.g., a fastener, a weld, a chemical adhesive, a press-fit, etc.) or combination thereof. Additionally or alternatively, one of the interchangeable subframes 3000, 3016, 3018 can be coupled to the front chassis portion 2604 via one or more bushings and/or brackets.

[0210] The interchangeable subframes 3000, 3016, 3018 are couplable within the second cavity 2634 of the rear chassis portion 2606. For example, the common the first crossmember 3004, the second crossmember 3006, the first side rail 3008, and the second side rail 3010 of one of the interchangeable subframes 3000, 3016, 3018 can be coupled to a corresponding structural member of the chassis 3100. For example, the first crossmember 3004 of one of the interchangeable subframes 3000, 3016, 3018 can be coupled to the third crossmember 2626 of the chassis 3100 via one or more fastening techniques (e.g., a fastener, a weld, a chemical adhesive, a press-fit, etc.) or combination thereof. In some examples, the second crossmember 3006 of one of the interchangeable subframes 3000, 3016, 3018 can be coupled the fourth crossmember 2628 of the chassis 3100 via one or more fastening techniques (e.g., a fastener, a weld, a chemical adhesive, a press-fit, etc.) or combination thereof. In some examples, the first side rail 3008 of one of the interchangeable subframes 3000, 3016, 3018 can be coupled the third longitudinal member 2630 of the chassis 3100 via one or more fastening techniques (e.g., a fastener, a weld, a chemical adhesive, a press-fit, etc.) or combination thereof.

In some examples, the second side rail 3010 of one of the interchangeable subframes 3000, 3016, 3018 can be coupled the fourth longitudinal member 2632 of the chassis 3100 via one or more fastening techniques (e.g., a fastener, a weld, a chemical adhesive, a press-fit, etc.) or combination thereof. Additionally or alternatively, one of the interchangeable subframes 3000, 3016, 3018 can be coupled to the rear chassis portion 2606 via one or more bushings and/or brackets.

[0211] As such, the chassis 3100 can be configured to include different ones of the interchangeable performance packages 2700, 2714, 2728 via the interchanging of the interchangeable subframes 3000, 3016, 3018. Accordingly, the chassis 3100 can be easily configured to support different vehicle models and/or types via of interchanging of the interchangeable subframes 3000, 3016, 3018, which increases the ease manufacturing and assembly by reducing the total number of unique parts used between vehicles. When combined with the other teachings of this disclosure (e.g., the scalable chassis 1900 of FIG. 19, the scalable chassis 2300 of FIG. 23, etc.), disparate vehicle types (e.g., pick-up trucks and compacts, etc.) can be implemented to share a common chassis with similar designs and a comparatively large number of common parts.

[0212] FIG. 32 is a flowchart representative of an example method to assemble the example chassis of FIG. 31 with one of the interchangeable subframes of FIG. 30A-30C. At block 3202, the model of the vehicle associated with the chassis 3100 is determined. For example, the model of the vehicle can be determined to be a pick-up truck model, a compact model, an SUV model, a crossover model, a van model, etc. In some examples, the desired performance characteristics (e.g., engine torque, engine power, suspension characteristics is determined).

[0213] At block 3204, one of the interchangeable performance packages 2700, 2714, 2718 is selected based on the determined model of the vehicle. For example, if the model of the vehicle is a passenger model, the first interchangeable performance package 2700 is selected. If the model of the vehicle is a hauling model and/or a heavier passenger model, the second interchangeable performance package 2714 is selected. If the model of the vehicle is a performance model, the third interchangeable performance package 2728 is selected. In other examples, other suitable performance packages can be selected based on the model. In some examples, multiple performance packages can be selected. In such examples, the subframes associated with the selected performance packages can be coupled to different portions of the chassis 3100 (e.g., the first interchangeable subframe 3000 coupled within the first cavity 2624, the second interchangeable subframe 3016 coupled within the second cavity 2634, etc.).

[0214] At block 3206, the subframe associated with the selected performance package is selected. For example, if the first interchangeable performance package 2700 was selected, the first interchangeable subframe 3000 can be selected. If the second interchangeable performance package 2714 was selected, the second interchangeable subframe 3016 is selected. If the third interchangeable performance package 2728 was selected, the third interchangeable subframe 3018 is selected.

[0215] At block 3208, the selected subframe including the selected performance package is assembled. For example, the first crossmember 3004, the second crossmember 3006,

the first side rail **3008**, and the second side rail **3010** of the selected one of the interchangeable subframes **3000**, **3016**, **3018** can be assembled via suitable fastening technique(s) (e.g., welds, press-fits, chemical adhesive, fastener(s), etc.). If the first interchangeable subframe **3000** was selected, the first interchangeable performance package **2700** can be coupled to the first crossmember **3004**, the second crossmember **3006**, the first side rail **3008**, and the second side rail **3010** via the first motor mounting feature **2704A**, the second motor mounting feature **2704B**, the first frame mounting feature **2712A**, and the frame mounting feature **2712B**. In some examples, the first wheel **3012** and the second wheel **3014** can be coupled to the first interchangeable subframe **3000** via the first wheel mounting feature **2710A** and the second wheel mounting feature **2710B**, respectively. If the second interchangeable subframe **3016** was selected, the second interchangeable performance package **2714** can be coupled to the first crossmember **3004**, the second crossmember **3006**, the first side rail **3008**, and the second side rail **3010** the third motor mounting feature **2718A**, the fourth motor mounting feature **2718B**, the third frame mounting feature **2726A**, and the fourth frame mounting feature **2726B**. In some examples, the first wheel **3012** and the second wheel **3014** can be coupled to the second interchangeable subframe **3016** via the third wheel mounting feature **2724A** and the fourth wheel mounting feature **2724B**, respectively. If the third interchangeable subframe **3018** was selected, the second interchangeable performance package **2714** can be coupled to the first crossmember **3004**, the second crossmember **3006**, the first side rail **3008**, and the second side rail **3010** the fifth motor mounting feature **2732A**, the sixth motor mounting feature **2732B**, the fifth frame mounting feature **2742A**, and the sixth frame mounting feature **2742B**. In some examples, the first wheel **3012** and the second wheel **3014** can be coupled to the third interchangeable subframe **3018** via the fifth wheel mounting feature **2740A** and the sixth wheel mounting feature **2740B**, respectively.

[0216] At block **3210**, the assembled subframes are coupled to the chassis **3100**. For example, the first crossmember **3004**, the second crossmember **3006**, the first side rail **3008**, and the second side rail **3010** can be coupled to the corresponding structural members of the chassis **3100**. For example, the first crossmember **3004** of one of the interchangeable subframes **3000**, **3016**, **3018** can be coupled to the third crossmember **2626** of the chassis **3100** via one or more fastening techniques (e.g., a fastener, a weld, a chemical adhesive, a press-fit, etc.) or combination thereof. In some examples, the second crossmember **3006** of one of the interchangeable subframes **3000**, **3016**, **3018** can be coupled to the fourth crossmember **2628** of the chassis **3100** via one or more fastening techniques (e.g., a fastener, a weld, a chemical adhesive, a press-fit, etc.) or combination thereof. In some examples, the first side rail **3008** of one of the interchangeable subframes **3000**, **3016**, **3018** can be coupled to the third longitudinal member **2630** of the chassis **3100** via one or more fastening techniques (e.g., a fastener, a weld, a chemical adhesive, a press-fit, etc.) or combination thereof. In some examples, the second side rail **3010** of one of the interchangeable subframes **3000**, **3016**, **3018** can be coupled to the fourth longitudinal member **2632** of the chassis **3100** via one or more fastening techniques (e.g., a fastener, a weld, a chemical adhesive, a press-fit, etc.) or combination thereof. Additionally or alternatively, one of the interchangeable

subframes **3000**, **3016**, **3018** can be coupled to the rear chassis portion **2606** via one or more bushings and/or brackets. The method **3200** ends.

[0217] FIG. **33A** is a perspective view of an example first interchangeable chassis portion **3300** including the first interchangeable performance package **2700** of FIG. **27A**. In the illustrated example of FIG. **33A**, the elements of the first interchangeable performance package **2700** (e.g., the first electric motor **2702**, the first suspension assembly **2706A**, the second suspension assembly **2706B**, etc.) are coupled within the first interchangeable chassis portion **3300**. In the illustrated example of FIG. **33A**, the suspension assemblies **2706A**, **2706B** are coupled to an example first wheel **3304** and an example second wheel **3306**, respectively. The example first interchangeable chassis portion **3300** includes example first attachment locators **3302**.

[0218] FIG. **33B** is a perspective view of an example second interchangeable chassis portion **3308** including the interchangeable performance package **2714** of FIG. **27B**. In the illustrated example of FIG. **33B**, the elements of the second interchangeable performance package **2714** (e.g., the second electric motor **2716**, the third suspension assembly **2720A**, the fourth suspension assembly **2720B**, etc.) are coupled within the second interchangeable chassis portion **3308**. In the illustrated example of FIG. **33B**, the suspension assemblies **2720A**, **2720B** are coupled to an example first wheel **3312** and an example second wheel **3314**, respectively. The example second interchangeable chassis portion **3308** includes example second attachment locators **3310**.

[0219] FIG. **33C** is a perspective view of an example third interchangeable chassis portion **3316** including the third interchangeable performance package **2728** of FIG. **27C**. In the illustrated example of FIG. **33C**, the elements of the third interchangeable performance package **2728** (e.g., the third electric motor **2730**, the fifth suspension assembly **2734A**, the sixth suspension assembly **2734B**, etc.) are coupled within the third interchangeable chassis portion **3316**. In the illustrated example of FIG. **33C**, the suspension assemblies **2734A**, **2734B** are coupled to an example first wheel **3320** and an example second wheel **3322**, respectively. The example third interchangeable chassis portion **3316** includes example third attachment locators **3318**.

[0220] In the illustrated example of FIGS. **33A-33C**, the interchangeable chassis portions **3300**, **3308**, **3316** can be implemented as both front chassis portions (e.g., the front chassis portion **2604** of FIG. **26**, etc.) or rear chassis portions (e.g., the rear chassis portion **2606** of FIG. **26**, etc.). In other examples, side-specific chassis portions can be used. In such examples, the interchangeable chassis portions **3300**, **3308**, **3316** can be divided into corresponding front interchangeable chassis portions and corresponding rear interchangeable chassis portions. In the illustrated example of FIGS. **33A-33C**, the interchangeable chassis portions **3300**, **3308**, **3316** have similar designs and components as the interchangeable chassis portions **2302A**, **2302B**, **2304A**, **2304B** of FIG. **23**. In other examples, the interchangeable chassis portions **3300**, **3308**, **3316** can have any other suitable design and can include different components.

[0221] FIG. **34** is a perspective view of another example vehicle chassis **3400** that includes a plurality of the interchangeable chassis portions **3300**, **3308**, **3316** of FIG. **33A-33C**. The example vehicle chassis **3400** includes an example

battery platform **3402**, which includes example fourth attachment locators **3404** and example fifth attachment locators **3406**.

[0222] The battery platform **3402** is a common component shared between different configurations of the chassis **3400**. The example battery platform **3402** includes a plurality of structural members (e.g., crossmembers, side rails, etc.) and EV batteries. The fourth attachment locators **3404** can be coupled to the corresponding first attachment locators **3302** of the interchangeable chassis portion **3300**, the corresponding second attachment locators **3310** of the second interchangeable chassis portion **3308**, or the corresponding third attachment locators **3318** of the third interchangeable chassis portion **3316**. The fifth attachment locators **3406** can be coupled to the corresponding first attachment locators **3302** of the first interchangeable chassis portion **3300**, the corresponding second attachment locators **3310** of the second interchangeable chassis portion **3308**, or the corresponding third attachment locators **3318** of the third interchangeable chassis portion **3316**. In the illustrated example of FIG. **34**, the attachment locators **3302**, **3310**, **3318** of the interchangeable chassis portions **3300**, **3308**, **3316** include protrusions to be received by corresponding apertures of the attachment locators **3404**, **3406** of the battery platform **3402**. In other examples, the attachment locators **3404**, **3406** of the battery platform **3402** include protrusions to be received by the attachment locators **3302**, **3310**, **3318**. Additionally or alternatively, the front of the battery platform **3402** can be coupled to a corresponding one of the interchangeable chassis portions **3300**, **3308**, **3316**, and the rear of the battery platform **3402** can be coupled to a corresponding one of the interchangeable chassis portions **3300**, **3308**, **3316** via additional fastening techniques (e.g., welds, press-fits, chemical adhesives, fasteners, etc.).

[0223] The interchangeable chassis portions **3300**, **3308**, **3316** are couplable to the front and rear of the battery platform **3402**. Depending on which of the interchangeable chassis portions **3300**, **3308**, **3316** is coupled to the front of the battery platform **3402** and which of the interchangeable chassis portions **3300**, **3308**, **3316** is coupled to the rear of the battery platform **3402**, the performance characteristics of the chassis **3400** can be changed.

[0224] FIG. **35** is a flowchart representative of an example method to assembly the example chassis of FIG. **34** with one of the interchangeable chassis portions **3300**, **3308**, **3316** of FIG. **33A-33C**. At block **3502**, the model of the vehicle associated with the chassis **3400** is determined. For example, the model of the vehicle can be determined to be a pick-up truck model, a compact model, an SUV model, a crossover model, a van model, etc. In some examples, the desired performance characteristics (e.g., engine torque, engine power, suspension characteristics is determined).

[0225] At block **3508**, one of the interchangeable performance packages **2700**, **2714**, **2718** is selected based on the determined model of the vehicle. For example, if the model of the vehicle is a passenger model, the first interchangeable performance package **2700** is selected. If the model of the vehicle is a hauling model, the second interchangeable performance package **2714** is selected. If the model of the vehicle is a performance model, the third interchangeable performance package **2728** is selected. In other examples, other suitable performance packages can be selected based on the model. In some examples, multiple performance packages can be selected. In such examples, different ones

of the interchangeable chassis portions **3300**, **3308**, **3316** can be coupled to the front and rear of the battery platforms **3402**.

[0226] At block **3506**, the chassis portion associated with the selected performance package is selected. For example, if the first interchangeable performance package **2700** was selected, the first interchangeable chassis portion **3300** can be selected. If the second interchangeable performance package **2714** was selected, the second interchangeable chassis portion **3308** is selected. If the third interchangeable performance package **2728** was selected, the third interchangeable chassis portion **3118** is selected.

[0227] At block **3508**, the selected chassis portion(s) including the selected performance package are assembled. For example, the structural members of the selected chassis portions can be assembled in a manner similar to the chassis portions **2304A**, **2304B**, **2306B**, **2306B** of FIG. **23**. If the first interchangeable chassis portion **3300** was selected, the first interchangeable performance package **2700** can be coupled to the first interchangeable chassis portion **3300** via the first motor mounting feature **2704A**, the second motor mounting feature **2704B**, the first frame mounting feature **2712A**, and the frame mounting feature **2712B**. In some examples, the first wheel **3312** and the second wheel **3314** can be coupled to the first interchangeable chassis portion **3300** via the first wheel mounting feature **2710A** and the second wheel mounting feature **2710B**, respectively. If the second interchangeable chassis portion **3308** was selected, the second interchangeable performance package **2714** can be coupled to the second interchangeable chassis portion **3308** via the third motor mounting feature **2718A**, the fourth motor mounting feature **2718B**, the third frame mounting feature **2726A**, and the fourth frame mounting feature **2726B**. In some examples, the first wheel **3312** and the second wheel **3314** can be coupled to the second interchangeable chassis portion **3308** via the third wheel mounting feature **2724A** and the fourth wheel mounting feature **2724B**, respectively. If the third interchangeable chassis portion **3316** was selected, the third interchangeable performance package **2728** can be coupled to the third interchangeable chassis portion **3316** the fifth motor mounting feature **2732A**, the sixth motor mounting feature **2732B**, the fifth frame mounting feature **2742A**, and the sixth frame mounting feature **2742B**. In some examples, the first wheel **3312** and the second wheel **3314** can be coupled to the third interchangeable chassis portion **3316** via the fifth wheel mounting feature **2740A** and the sixth wheel mounting feature **2740B**, respectively.

[0228] At block **3510**, the selected one of the interchangeable chassis portions **3300**, **3308**, **3316** is coupled to the front of the battery platform **3402**. For example, if the first interchangeable chassis portion **3300** is selected, the first attachment locators **3302** are coupled to the fourth attachment locators **3404**. If the second interchangeable chassis portion **3308** was selected, the second attachment locators **3310** are coupled to the fourth attachment locators **3404**. If the third interchangeable chassis portion **3316** was selected, the third attachment locators **3318** are coupled to the fourth attachment locators **3404**. In some examples, the attachment locators **3302**, **3310**, **3318** include protrusions to be received by corresponding apertures of the fourth attachment locator **3404** of the battery platform **3402**. In other examples, the fifth attachment locators **3404** include protrusions to be received by the attachment locators **3302**, **3310**, **3318**.

Additionally or alternatively, the front of the battery platform **3402** can be coupled to the selected one of the interchangeable chassis portions **3300**, **3308**, **3316** via additional fastening techniques (e.g., welds, press-fits, chemical adhesives, fasteners, etc.).

[0229] At block **3512**, the selected one of the interchangeable chassis portions **3300**, **3308**, **3316** is coupled to the rear of the battery platform **3402**. For example, if the first interchangeable chassis portion **3300** is selected, the first attachment locators **3302** are coupled to the fifth attachment locators **3406**. If the second interchangeable chassis portion **3308** was selected, the second attachment locators **3310** are coupled to the fifth attachment locators **3406**. If the third interchangeable chassis portion **3316** was selected, the third attachment locators **3318** are coupled to the fifth attachment locators **3406**. In some examples, the attachment locators **3302**, **3310**, **3318** include protrusions to be received by corresponding apertures of the fifth attachment locators **3406** of the battery platform **3402**. In other examples, the fifth attachment locators **3406** of the battery platform **3402** include protrusions to be received by the attachment locators **3302**, **3310**, **3318**. Additionally or alternatively, the rear of the battery platform **3402** can be coupled to the selected one of the interchangeable chassis portions **3300**, **3308**, **3316** via additional fastening techniques (e.g., welds, press-fits, chemical adhesives, fasteners, etc.). The method **3500** ends.

[0230] “Including” and “comprising” (and all forms and tenses thereof) are used herein to be open ended terms. Thus, whenever a claim employs any form of “include” or “comprise” (e.g., comprises, includes, comprising, including, having, etc.) as a preamble or within a claim recitation of any kind, it is to be understood that additional elements, terms, etc. may be present without falling outside the scope of the corresponding claim or recitation. As used herein, when the phrase “at least” is used as the transition term in, for example, a preamble of a claim, it is open-ended in the same manner as the term “comprising” and “including” are open ended. The term “and/or” when used, for example, in a form such as A, B, and/or C refers to any combination or subset of A, B, C such as (1) A alone, (2) B alone, (3) C alone, (4) A with B, (5) A with C, (6) B with C, and (7) A with B and with C. As used herein in the context of describing structures, components, items, objects and/or things, the phrase “at least one of A and B” is intended to refer to implementations including any of (1) at least one A, (2) at least one B, and (3) at least one A and at least one B. Similarly, as used herein in the context of describing structures, components, items, objects and/or things, the phrase “at least one of A or B” is intended to refer to implementations including any of (1) at least one A, (2) at least one B, and (3) at least one A and at least one B. As used herein in the context of describing the performance or execution of processes, instructions, actions, activities and/or steps, the phrase “at least one of A and B” is intended to refer to implementations including any of (1) at least one A, (2) at least one B, and (3) at least one A and at least one B. Similarly, as used herein in the context of describing the performance or execution of processes, instructions, actions, activities and/or steps, the phrase “at least one of A or B” is intended to refer to implementations including any of (1) at least one A, (2) at least one B, and (3) at least one A and at least one B.

[0231] As used herein, singular references (e.g., “a”, “an”, “first”, “second”, etc.) do not exclude a plurality. The term

“a” or “an” entity, as used herein, refers to one or more of that entity. The terms “a” (or “an”), “one or more”, and “at least one” can be used interchangeably herein. Furthermore, although individually listed, a plurality of means, elements or method actions may be implemented by, e.g., a single unit or processor. Additionally, although individual features may be included in different examples or claims, these may possibly be combined, and the inclusion in different examples or claims does not imply that a combination of features is not feasible and/or advantageous.

[0232] Example methods, apparatus, systems, and articles of manufacture to _____ are disclosed herein. Further examples and combinations thereof include the following:

[0233] Example 1 includes a vehicle chassis comprising a frame including a first chassis portion including a cavity, a battery platform coupled to first chassis portion, and a first subframe couplable within the cavity, the first subframe including a first motor and a first suspension assembly, and a second subframe couplable within the cavity, the second subframe including a second motor and a second suspension assembly, the second motor having a greater power than the first motor, the second suspension assembly having a greater stiffness than the first suspension assembly.

[0234] Example 2 includes the vehicle chassis of example 1, wherein the first subframe includes a first wheel and a second wheel, and the second subframe includes a third wheel and a fourth wheel.

[0235] Example 3 includes the vehicle chassis of example 1, wherein the first subframe includes a first crossmember, a second crossmember, a first side rail, and a second side rail, the first crossmember, the second crossmember, the first side rail and the second side rail defining the cavity.

[0236] Example 4 includes the vehicle chassis of example 3, wherein the first subframe is couplable within the cavity via at least one a third crossmember couplable to the first crossmember, a fourth crossmember couplable to the second crossmember, a first longitudinal member couplable to the first side rail, or a second longitudinal member couplable to the second side rail.

[0237] Example 5 includes the vehicle chassis of example 4, wherein the first motor is coupled between the first longitudinal member and the second longitudinal member.

[0238] Example 6 includes the vehicle chassis of example 1, wherein the vehicle chassis is configured for a first model of vehicle when the first subframe is coupled within the cavity and the vehicle chassis is configured for a second model of vehicle when the first subframe is coupled within the cavity, the second model of vehicle different from the first model of vehicle.

[0239] Example 7 includes the vehicle chassis of example 6, wherein the first model is a passenger car and the second model is a truck.

[0240] Example 8 includes a vehicle chassis comprising a first chassis portion including a first longitudinal member and a second longitudinal member, the first longitudinal member and the second longitudinal member defining a first cavity, a second chassis portion, and wherein the vehicle chassis is in a first configuration when a first motor is coupled to a first inboard surface of the first cavity and a first suspension assembly is coupled to a first outboard surface of at least one of the first longitudinal member or the second longitudinal member, and wherein the vehicle chassis is in a second configuration when a second motor is coupled the first inboard surface of the first cavity and a second suspen-

sion assembly is coupled to the first outboard surface, the first motor having a greater power than the second motor, the first suspension assembly having a greater stiffness than the second suspension assembly.

[0241] Example 9 includes the vehicle chassis of example 8, further including a battery platform disposed between the first chassis portion and the second chassis portion.

[0242] Example 10 includes the vehicle chassis of example 8, wherein the second chassis portion includes a third longitudinal member and a fourth longitudinal member, the third longitudinal member and the fourth longitudinal member defining a second cavity.

[0243] Example 11 includes the vehicle chassis of example 10, wherein the first configuration includes a third motor coupled to a second inboard surface of the second cavity and a third suspension assembly coupled to a second outboard surface of at least one of the third longitudinal member and the fourth longitudinal member.

[0244] Example 12 includes the vehicle chassis of example 11, wherein the first motor has a substantially same power as the third motor and the first suspension assembly has a substantially same stiffness as the third suspension assembly.

[0245] Example 13 includes the vehicle chassis of example 10, wherein the first cavity and the second cavity are of substantially a same size.

[0246] Example 14 includes the vehicle chassis of example 8, wherein the first configuration is associated with a first model of vehicle associated with the vehicle chassis and the second configuration is associated with a second model of vehicle associated with the vehicle chassis.

[0247] Example 15 includes a method to assemble a frame of a vehicle, the method comprising assembling a first chassis portion including a first cavity, determining a model of the vehicle, in response to determining the vehicle is a first model selecting a first performance package including a first motor and a first suspension assembly based on the first model, coupling the first motor within the first cavity, and coupling the first suspension assembly to the first chassis portion, and in response to determining the vehicle is a second model selecting a second performance package including second motor and a second suspension assembly based on the second model, the first motor having a different power than the second motor, the first suspension assembly having a different stiffness than the second suspension assembly, coupling the second motor within the first cavity, and coupling the second suspension assembly to the first chassis portion.

[0248] Example 16 includes the method of example 15, further including assembling a second chassis portion including a second cavity.

[0249] Example 17 includes the method of example 16, further including coupling the first chassis portion to a front of a battery platform, coupling the second chassis portion to a rear of the battery platform.

[0250] Example 18 includes the method of example 16, further including, in response to determining the vehicle is the first model coupling a third motor within the second chassis portion, and coupling a third suspension assembly to the second chassis portion.

[0251] Example 19 includes the method of example 18, wherein the third motor has substantially a same power as the first motor, the third suspension assembly has a same stiffness as the first suspension assembly.

[0252] Example 20 includes the method of example 16, wherein the first cavity and the second cavity are of substantially a same size. Although certain example methods, apparatus and articles of manufacture have been disclosed herein, the scope of coverage of this patent is not limited thereto. On the contrary, this patent covers all methods, apparatus and articles of manufacture fairly falling within the scope of the claims of this patent.

[0253] The following claims are hereby incorporated into this Detailed Description by this reference, with each claim standing on its own as a separate embodiment of the present disclosure. claim standing on its own as a separate embodiment of the present disclosure

What is claimed is:

1. A method to assemble a chassis of a vehicle, the method comprising:

assembling a chassis portion including a cavity;
determining a model of the vehicle;

after determining the vehicle is a first model:

selecting a first performance package including a first motor and a first suspension assembly based on the first model;

coupling the first motor within the cavity; and

coupling the first suspension assembly to the chassis portion; and

after determining the vehicle is a second model:

selecting a second performance package including second motor and a second suspension assembly based on the second model, the first motor having a different power than the second motor, the first suspension assembly having a different stiffness than the second suspension assembly;

coupling the second motor within the cavity; and

coupling the second suspension assembly to the chassis portion.

2. The method of claim 1, wherein the cavity is a first cavity, and the chassis portion is a first chassis portion, and further including assembling a second chassis portion including a second cavity.

3. The method of claim 2, further including:

coupling the first chassis portion to a front of a battery platform; and

coupling the second chassis portion to a rear of the battery platform.

4. The method of claim 2, further including, after determining the vehicle is the first model:

coupling a third motor within the second chassis portion; and

coupling a third suspension assembly to the second chassis portion.

5. The method of claim 4, wherein the third motor has substantially a same power as the first motor, the third suspension assembly has a same stiffness as the first suspension assembly.

6. The method of claim 2, wherein the first cavity and the second cavity are of substantially a same size.

7. The method of claim 1, wherein the first model is a passenger car and the second model is a truck.

8. The method of claim 1, wherein coupling the first motor within the cavity includes coupling the first motor to an inboard surface of the cavity via a bushing connection.

9. The method of claim 1, wherein coupling the first suspension assembly to the chassis portion includes cou-

pling the first suspension assembly to an outboard surface of a longitudinal member of the chassis portion.

10. The method of claim **9**, further including coupling a wheel to the first suspension assembly.

11. A method to assemble a chassis of a vehicle, the method comprising:

assembling a chassis portion including a first cavity;

determining a model of the vehicle;

after determining the vehicle is a first model:

selecting a first performance package including a first motor and a first suspension assembly based on the first model; and

coupling a first subframe to the chassis portion, the first subframe including the first motor and the first suspension assembly;

after determining the vehicle is a second model:

selecting a second performance package including second motor and a second suspension assembly based on the second model, the first motor having a different power than the second motor, the first suspension assembly having a different stiffness than the second suspension assembly; and

coupling a second subframe to the chassis portion, the first subframe including the first motor and the first suspension assembly.

12. The method of claim **11**, further including:

after determining the vehicle is the first model, assembling the first subframe; and

after determining the vehicle is the second model, assembling the second subframe.

13. The method of claim **12**, wherein assembling the first subframe includes:

coupling a first crossmember to a first side rail and a second side rail; and

coupling a second crossmember to the first side rail and the second side rail.

14. The method of claim **13**, wherein assembling the first subframe further includes:

coupling the first motor to a motor mounting feature of at least one of the first crossmember, the second crossmember, the first side rail, or the second side rail; and coupling the first suspension assembly to a wheel mounting feature of at least one of the first side rail, or the second side rail.

15. The method of claim **13**, wherein assembling the second subframe includes:

coupling the first crossmember to the first side rail and the second side rail; and

coupling the second crossmember to the first side rail and the second side rail.

16. The method of claim **14**, wherein assembling the second subframe further includes:

coupling the second motor to a motor mounting feature of at least one of the first crossmember, the first side rail, or the second side rail; and

coupling the second suspension assembly to a suspension mounting feature of at least one of the first side rail or the second side rail.

17. The method of claim **11**, wherein the first model is a passenger car and the second model is a truck.

18. The method of claim **11**, wherein the chassis portion is a first chassis portion and further including assembling a second chassis portion including a second cavity.

19. The method of claim **18**, further including coupling a third subframe within the second cavity of the second chassis portion, the third subframe including a third suspension assembly and a third motor.

20. The method of claim **19**, wherein the third motor has substantially a same power as the first motor, the third suspension assembly has a same stiffness as the first suspension assembly.

* * * * *